

Component Connector End Views

Connector 1:	1-2 Shift Solenoid (SS) Valve
Connector 2:	3-4 Shift Solenoid (SS) Valve
Connector 3:	4-5 Shift Solenoid (SS) Valve
Connector 4:	A/C Compressor
Connector 5:	A/C Refrigerant Pressure Sensor
Connector 6:	Accelerator Pedal Position (APP) Sensor
Connector 7:	Accessory Power Outlet - Center Console Compartment
Connector 8:	Accessory Power Outlet - I/P
Connector 9:	Air Temperature Actuator (C60)
Connector 10:	Air Temperature Actuator - Left (CJ2)
Connector 11:	Air Temperature Actuator - Right (CJ2)
Connector 12:	Air Temperature Sensor
Connector 13:	Air Temperature Sensor - Inside
Connector 14:	Ambient Air Temperature Sensor
Connector 15:	Ambient Light Sensor (C60)
Connector 16:	Audio Amplifier (UWP)
Connector 17:	Automatic Transmission (MYC)
Connector 18:	Automatic Transmission Input Shaft Speed (ISS) Sensor
Connector 19:	Automatic Transmission Output Shaft Speed (OSS) Sensor
Connector 20:	Automatic Transmission Shift Lever
Connector 21:	Backup Lamp - Left
Connector 22:	Backup Lamp - Right
Connector 23:	Battery (-)
Connector 24:	Battery (+)
Connector 25:	Battery Current Sensor
Connector 26:	Blower Motor
Connector 27:	Blower Motor Control Module
Connector 28:	Body Control Module (BCM) X1
Connector 29:	Body Control Module (BCM) X2
Connector 30:	Body Control Module (BCM) X3
Connector 31:	Body Control Module (BCM) X4
Connector 32:	Body Control Module (BCM) X5
Connector 33:	Body Control Module (BCM) X6
Connector 34:	Body Control Module (BCM) X7
Connector 35:	Brake Booster Vacuum Sensor (L76)
Connector 36:	Brake Fluid Level Switch
Connector 37:	Brake Pedal Position (BPP) Sensor
Connector 38:	Camshaft Position (CMP) Actuator Solenoid Valve - Bank 1 Exhaust (LY7)
Connector 39:	Camshaft Position (CMP) Actuator Solenoid Valve - Bank 1 Intake (LY7)
Connector 40:	Camshaft Position (CMP) Actuator Solenoid Valve - Bank 2 Exhaust (LY7)

Connector 41:	<u>Camshaft Position (CMP) Actuator Solenoid Valve - Bank 2 Intake (LY7)</u>
Connector 42:	<u>Camshaft Position (CMP) Sensor - Bank 1 Exhaust (LY7)</u>
Connector 43:	<u>Camshaft Position (CMP) Sensor - Bank 1 Intake (LY7)</u>
Connector 44:	<u>Camshaft Position (CMP) Sensor - Bank 2 Exhaust (LY7)</u>
Connector 45:	<u>Camshaft Position (CMP) Sensor - Bank 2 Intake (LY7)</u>
Connector 46:	<u>Camshaft Position (CMP) Sensor (L76)</u>
Connector 47:	<u>Center High Mounted Stop Lamp (CHMSL)</u>
Connector 48:	<u>Crankshaft Position (CKP) Sensor (LY7)</u>
Connector 49:	<u>Crankshaft Position (CKP) Sensor (L76)</u>
Connector 50:	<u>Data Link Connector (DLC)</u>
Connector 51:	<u>Data Link Resistor</u>
Connector 52:	<u>Digital Radio Receiver (U2K)</u>
Connector 53:	<u>Dome/Reading Lamps - Front (without CF5)</u>
Connector 54:	<u>Dome/Reading Lamps - Rear</u>
Connector 55:	<u>Door Latch - Driver</u>
Connector 56:	<u>Door Latch - Left Rear</u>
Connector 57:	<u>Door Latch - Passenger</u>
Connector 58:	<u>Door Latch - Right Rear</u>
Connector 59:	<u>Door Lock/Window Switch X1</u>
Connector 60:	<u>Door Lock/Window Switch X2</u>
Connector 61:	<u>Driver Information Center (DIC) Display</u>
Connector 62:	<u>Electronic Brake Control Module (EBCM)</u>
Connector 63:	<u>Engine Control Module (ECM) (L76) X1</u>
Connector 64:	<u>Engine Control Module (ECM) (L76) X2</u>
Connector 65:	<u>Engine Control Module (ECM) (LY7) X1</u>
Connector 66:	<u>Engine Control Module (ECM) (LY7) X2</u>
Connector 67:	<u>Engine Coolant Temperature (ECT) Sensor (L76)</u>
Connector 68:	<u>Engine Coolant Temperature (ECT) Sensor (LY7)</u>
Connector 69:	<u>Engine Cooling Fan - Left</u>
Connector 70:	<u>Engine Cooling Fan - Right</u>
Connector 71:	<u>Engine Oil Level and Temperature Sensor</u>
Connector 72:	<u>Engine Oil Pressure (EOP) Sensor</u>
Connector 73:	<u>Evaporative Emission (EVAP) Canister Purge Solenoid Valve (L76)</u>
Connector 74:	<u>Evaporative Emission (EVAP) Canister Purge Solenoid Valve (LY7)</u>
Connector 75:	<u>Evaporative Emission (EVAP) Canister Vent Solenoid Valve</u>
Connector 76:	<u>Fog Lamp - Left Front</u>
Connector 77:	<u>Fog Lamp - Right Front</u>
Connector 78:	<u>Fuel Door Release Actuator</u>
Connector 79:	<u>Fuel Injector 1 (LY7)</u>
Connector 80:	<u>Fuel Injector 1 (L76)</u>
Connector 81:	<u>Fuel Injector 2 (LY7)</u>
Connector 82:	<u>Fuel Injector 2 (L76)</u>
Connector 83:	<u>Fuel Injector 3 (LY7)</u>
Connector 84:	<u>Fuel Injector 3 (L76)</u>
Connector 85:	<u>Fuel Injector 4 (LY7)</u>

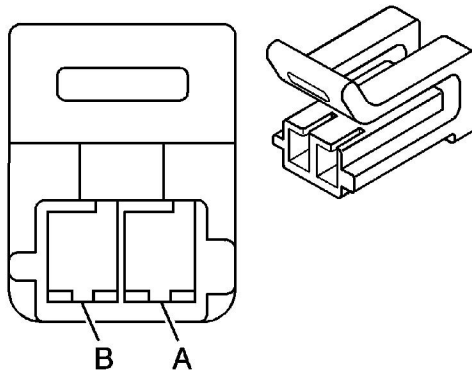
- Connector 86: [Fuel Injector 4 \(L76\)](#)
- Connector 87: [Fuel Injector 5 \(LY7\)](#)
- Connector 88: [Fuel Injector 5 \(L76\)](#)
- Connector 89: [Fuel Injector 6 \(LY7\)](#)
- Connector 90: [Fuel Injector 6 \(L76\)](#)
- Connector 91: [Fuel Injector 7 \(L76\)](#)
- Connector 92: [Fuel Injector 8 \(L76\)](#)
- Connector 93: [Fuel Level Sensor - Secondary](#)
- Connector 94: [Fuel Pump and Sender Assembly](#)
- Connector 95: [Fuel Tank Pressure \(FTP\) Sensor](#)
- Connector 96: [Generator X1 \(L76\)](#)
- Connector 97: [Generator X1 \(LY7\)](#)
- Connector 98: [Generator X2](#)
- Connector 99: [Headlamp and Panel Dimmer Switch](#)
- Connector 100: [Headlamp - Left High Beam](#)
- Connector 101: [Headlamp - Left Low Beam](#)
- Connector 102: [Headlamp - Right High Beam](#)
- Connector 103: [Headlamp - Right Low Beam](#)
- Connector 104: [Heated Oxygen Sensor \(HO2S\) Bank 1 Sensor 1 \(LY7\)](#)
- Connector 105: [Heated Oxygen Sensor \(HO2S\) Bank 1 Sensor 1 \(L76\)](#)
- Connector 106: [Heated Oxygen Sensor \(HO2S\) Bank 1 Sensor 2 \(LY7\)](#)
- Connector 107: [Heated Oxygen Sensor \(HO2S\) Bank 1 Sensor 2 \(L76\)](#)
- Connector 108: [Heated Oxygen Sensor \(HO2S\) Bank 2 Sensor 1 \(LY7\)](#)
- Connector 109: [Heated Oxygen Sensor \(HO2S\) Bank 2 Sensor 1 \(L76\)](#)
- Connector 110: [Heated Oxygen Sensor \(HO2S\) Bank 2 Sensor 2 \(LY7\)](#)
- Connector 111: [Heated Oxygen Sensor \(HO2S\) Bank 2 Sensor 2 \(L76\)](#)
- Connector 112: [Heated Seat Control Module - Driver \(KA1\)](#)
- Connector 113: [Heated Seat Control Module - Passenger \(KA1\)](#)
- Connector 114: [Hood Ajar Switch](#)
- Connector 115: [Horn - Left](#)
- Connector 116: [Horn - Right](#)
- Connector 117: [HVAC Control Module X1](#)
- Connector 118: [HVAC Control Module X2](#)
- Connector 119: [HVAC Control Module X3 \(CJ2\)](#)
- Connector 120: [Ignition Coil 1 \(LY7\)](#)
- Connector 121: [Ignition Coil 1 \(L76\)](#)
- Connector 122: [Ignition Coil 2 \(LY7\)](#)
- Connector 123: [Ignition Coil 2 \(L76\)](#)
- Connector 124: [Ignition Coil 3 \(LY7\)](#)
- Connector 125: [Ignition Coil 3 \(L76\)](#)
- Connector 126: [Ignition Coil 4 \(LY7\)](#)
- Connector 127: [Ignition Coil 4 \(L76\)](#)
- Connector 128: [Ignition Coil 5 \(LY7\)](#)
- Connector 129: [Ignition Coil 5 \(L76\)](#)
- Connector 130: [Ignition Coil 6 \(LY7\)](#)

- Connector 131: [Ignition Coil 6 \(L76\)](#)
- Connector 132: [Ignition Coil 7 \(L76\)](#)
- Connector 133: [Ignition Coil 8 \(L76\)](#)
- Connector 134: [Ignition Key Cylinder Lamp](#)
- Connector 135: [Ignition Lock Cylinder Control Solenoid](#)
- Connector 136: [Ignition Switch](#)
- Connector 137: [Inflatable Restraint Front End Sensor - Left](#)
- Connector 138: [Inflatable Restraint Front End Sensor - Right](#)
- Connector 139: [Inflatable Restraint Front Passenger Presence System \(PPS\) Module X1](#)
- Connector 140: [Inflatable Restraint Front Passenger Presence System \(PPS\) Module X2](#)
- Connector 141: [Inflatable Restraint I/P Module X1](#)
- Connector 142: [Inflatable Restraint I/P Module X2](#)
- Connector 143: [Inflatable Restraint Roof Rail Module - Left](#)
- Connector 144: [Inflatable Restraint Roof Rail Module - Right](#)
- Connector 145: [Inflatable Restraint Seat Position Sensor - Driver](#)
- Connector 146: [Inflatable Restraint Seat Position Sensor - Passenger](#)
- Connector 147: [Inflatable Restraint Sensing and Diagnostic Module \(SDM\) X1](#)
- Connector 148: [Inflatable Restraint Sensing and Diagnostic Module \(SDM\) X2](#)
- Connector 149: [Inflatable Restraint Side Impact Module - Left X1](#)
- Connector 150: [Inflatable Restraint Side Impact Module - Left X2](#)
- Connector 151: [Inflatable Restraint Side Impact Module - Right X1](#)
- Connector 152: [Inflatable Restraint Side Impact Module - Right X2](#)
- Connector 153: [Inflatable Restraint Side Impact Sensor \(SIS\) - Left](#)
- Connector 154: [Inflatable Restraint Side Impact Sensor \(SIS\) - Right](#)
- Connector 155: [Inflatable Restraint Steering Wheel Module Coil X1](#)
- Connector 156: [Inflatable Restraint Steering Wheel Module Coil X2](#)
- Connector 157: [Inflatable Restraint Steering Wheel Module X1](#)
- Connector 158: [Inflatable Restraint Steering Wheel Module X2](#)
- Connector 159: [Inside Rearview Mirror \(ISRVM\)](#)
- Connector 160: [Instrument Panel Cluster \(IPC\)](#)
- Connector 161: [Intake Manifold Tuning \(IMT\) Solenoid Valve \(LY7\)](#)
- Connector 162: [Internal Mode Switch \(IMS\)](#)
- Connector 163: [Knock Sensor \(KS\) 1 \(LY7\)](#)
- Connector 164: [Knock Sensor \(KS\) 1 \(L76\)](#)
- Connector 165: [Knock Sensor \(KS\) 2 \(LY7\)](#)
- Connector 166: [Knock Sensor \(KS\) 2 \(L76\)](#)
- Connector 167: [License Lamp - Left](#)
- Connector 168: [License Lamp - Right](#)
- Connector 169: [Manifold Absolute Pressure \(MAP\) Sensor \(L76\)](#)
- Connector 170: [Mass Air Flow \(MAF\)/Intake Air Temperature \(IAT\) Sensor](#)
- Connector 171: [Mode Actuator](#)
- Connector 172: [Mode Actuator - Auxiliary](#)
- Connector 173: [Multifunction Switch - Center Console X1](#)
- Connector 174: [Multifunction Switch - Center Console X2 \(KA1\)](#)
- Connector 175: [Outside Rearview Mirror - Driver](#)

Connector 176: [Outside Rearview Mirror - Passenger](#)
Connector 177: [Park Brake Switch](#)
Connector 178: [Pressure Control \(PC\) Solenoid Valve](#)
Connector 179: [Radio X1](#)
Connector 180: [Radio X2](#)
Connector 181: [Radio X4](#)
Connector 182: [Rear Compartment Courtesy Lamp X1](#)
Connector 183: [Rear Compartment Courtesy Lamp X2](#)
Connector 184: [Rear Compartment Lid Latch](#)
Connector 185: [Rear Compartment Lid Release Switch](#)
Connector 186: [Rear Object Sensor Control Module Connector](#)
Connector 187: [Rear Window Defogger Grid X1](#)
Connector 188: [Rear Window Defogger Grid X2](#)
Connector 189: [Recirculation Actuator](#)
Connector 190: [Remote Control Door Lock Receiver \(RCDLR\)](#)
Connector 191: [Seat Adjuster Switch - Driver](#)
Connector 192: [Seat Adjuster Switch - Passenger](#)
Connector 193: [Seat Belt Buckle Pretensioner - Driver](#)
Connector 194: [Seat Belt Retractor Pretensioner - Driver](#)
Connector 195: [Seat Belt Buckle Pretensioner - Passenger](#)
Connector 196: [Seat Belt Retractor Pretensioner - Passenger](#)
Connector 197: [Seat Belt Switch - Driver](#)
Connector 198: [Seat Belt Switch - Passenger](#)
Connector 199: [Seat Front Vertical Motor - Driver](#)
Connector 200: [Seat Front Vertical Motor - Passenger](#)
Connector 201: [Seat Horizontal Motor - Driver \(AJ6\)](#)
Connector 202: [Seat Horizontal Motor - Passenger \(AQ5\)](#)
Connector 203: [Seat Rear Vertical Motor - Driver](#)
Connector 204: [Seat Rear Vertical Motor - Passenger](#)
Connector 205: [Side Marker Lamp - Left Front](#)
Connector 206: [Side Marker Lamp - Left Rear](#)
Connector 207: [Side Marker Lamp - Right Front](#)
Connector 208: [Side Marker Lamp - Right Rear](#)
Connector 209: [Speaker - Center I/P X1 \(-UWP\)](#)
Connector 210: [Speaker - Center I/P X2 \(-UWP\)](#)
Connector 211: [Speaker - Center I/P \(UWP\)](#)
Connector 212: [Speaker - Left Front](#)
Connector 213: [Speaker - Left Front Tweeter](#)
Connector 214: [Speaker - Left Rear](#)
Connector 215: [Speaker - Left Subwoofer \(UWP\)](#)
Connector 216: [Speaker - Right Front](#)
Connector 217: [Speaker - Right Front Tweeter](#)
Connector 218: [Speaker - Right Rear](#)
Connector 219: [Speaker - Right Subwoofer \(UWP\)](#)
Connector 220: [Starter Motor X1](#)

Connector 221: [Starter Motor X2](#)
Connector 222: [Steering Angle Sensor](#)
Connector 223: [Steering Wheel Controls Switch Assembly](#)
Connector 224: [Sunload Sensor \(CJ2\)](#)
Connector 225: [Sunroof Control Module \(CF5\)](#)
Connector 226: [Sunroof Switch \(CF5\)](#)
Connector 227: [Sunshade - Left](#)
Connector 228: [Sunshade - Right](#)
Connector 229: [Tail/Stop Lamp - Left](#)
Connector 230: [Tail/Stop Lamp - Right](#)
Connector 231: [Theft Deterrent Alarm Siren X1](#)
Connector 232: [Theft Deterrent Alarm Siren X2](#)
Connector 233: [Theft Deterrent Module \(TDM\)](#)
Connector 234: [Throttle Body](#)
Connector 235: [Torque Converter Clutch \(TCC\) Pulse Width Modulation \(PWM\) Solenoid Valve](#)
Connector 236: [Transmission Control Module \(TCM\) \(M82\)](#)
Connector 237: [Turn Signal Lamp - Left Rear](#)
Connector 238: [Turn Signal Lamp - Right Rear](#)
Connector 239: [Turn Signal Repeater Lamp - Left](#)
Connector 240: [Turn Signal Repeater Lamp - Right](#)
Connector 241: [Turn Signal/Multifunction Switch](#)
Connector 242: [Valve Lifter Oil Manifold \(VLOM\) Assembly](#)
Connector 243: [Vehicle Communication Interface Module \(VCIM\) X1](#)
Connector 244: [Vehicle Communication Interface Module \(VCIM\) X2](#)
Connector 245: [Vehicle Communication Interface Module \(VCIM\) Battery](#)
Connector 246: [Wheel Speed Sensor \(WSS\) - Left Front](#)
Connector 247: [Wheel Speed Sensor \(WSS\) - Left Rear](#)
Connector 248: [Wheel Speed Sensor \(WSS\) - Right Front](#)
Connector 249: [Wheel Speed Sensor \(WSS\) - Right Rear](#)
Connector 250: [Window Control Module](#)
Connector 251: [Window Motor - Driver](#)
Connector 252: [Window Motor - Left Rear](#)
Connector 253: [Window Motor - Passenger](#)
Connector 254: [Window Motor - Right Rear](#)
Connector 255: [Window Switch - Left Rear](#)
Connector 256: [Window Switch - Right Rear](#)
Connector 257: [Windshield Washer Fluid Pump](#)
Connector 258: [Windshield Wiper Motor](#)
Connector 259: [Windshield Wiper/Washer Switch](#)
Connector 260: [Yaw and Lateral Accelerometer Sensor](#)

1-2 Shift Solenoid (SS) Valve



Connector Part Information

- | OEM: 12146094
- | Service: See Catalog
- | Description: 2-Way F Metri-Pack 150.2 Series, Sealed, Pull To Seat (GY)

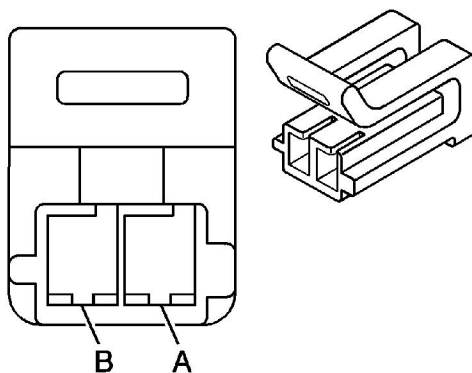
Terminal Part Information

- | Terminal/Tray: See Terminal Repair Kit
- | Core/Insulation Crimp: See Terminal Repair Kit
- | Release Tool/Test Probe: See Terminal Repair Kit

1-2 Shift Solenoid (SS) Valve

Pin	Wire Color	Circuit No.	Function
A	0.5 BK	1222	Shift Solenoid A Valve Control
B	0.5 WH	1525	Clutch Pressure Control Solenoid Valve 1 High Control

3-4 Shift Solenoid (SS) Valve



Connector Part Information

- | OEM: 12146094

- | Service: See Catalog
- | Description: 2-Way F Metri-Pack 150.2 Series, Sealed, Pull To Seat (GY)

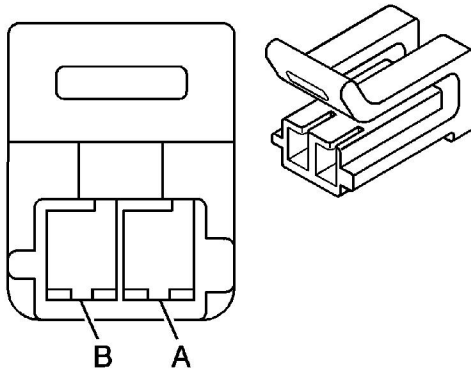
Terminal Part Information

- | Terminal/Tray: See Terminal Repair Kit
- | Core/Insulation Crimp: See Terminal Repair Kit
- | Release Tool/Test Probe: See Terminal Repair Kit

3-4 Shift Solenoid (SS) Valve

Pin	Wire Color	Circuit No.	Function
A	0.5 GY	898	Shift Solenoid C Valve Control
B	0.5 WH	1525	Clutch Pressure Control Solenoid Valve 1 High Control

4-5 Shift Solenoid (SS) Valve



Connector Part Information

- | OEM: 12146094
- | Service: See Catalog
- | Description: 2-Way F Metri-Pack 150.2 Series, Sealed, Pull To Seat (GY)

Terminal Part Information

- | Terminal/Tray: See Terminal Repair Kit
- | Core/Insulation Crimp: See Terminal Repair Kit
- | Release Tool/Test Probe: See Terminal Repair Kit

4-5 Shift Solenoid (SS) Valve

Pin	Wire Color	Circuit No.	Function
A	0.5 D-BU	1223	Shift Solenoid B Valve Control
B	0.5 WH	1525	Clutch Pressure Control Solenoid Valve 1 High Control

A/C Compressor

Connector Part Information

- | OEM: 7283-8125-30
- | Service: See Catalog
- | Description: 2-Way F (BK)

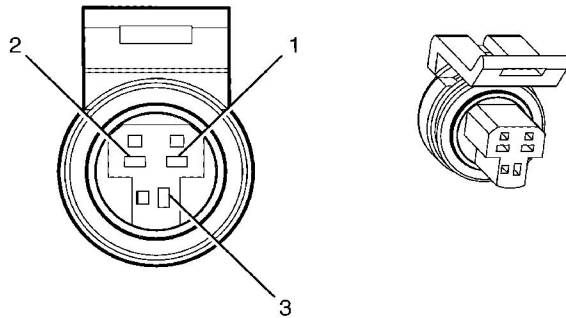
Terminal Part Information

- | Terminal/Tray: 7116-4025/11
- | Core/Insulation Crimp: E/1
- | Release Tool/Test Probe: 15313892/J-35616-18 (BK)

A/C Compressor

Pin	Wire Color	Circuit No.	Function
1	0.5 D-BU	7393	A/C Compressor Clutch Low Reference
2	0.5 D-GN	7392	A/C Compressor Clutch Supply Voltage

A/C Refrigerant Pressure Sensor



Connector Part Information

- | OEM: 7283-2429
- | Service: See Catalog
- | Description: 3-Way F (BK)

Terminal Part Information

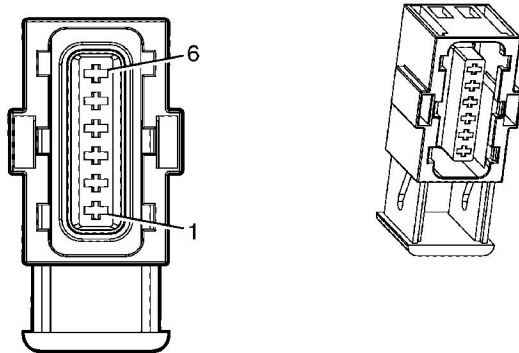
- | Terminal/Tray: 15326267/19
- | Core/Insulation Crimp: E/4
- | Release Tool/Test Probe: 15315247/J-35616-2A (GY)

A/C Refrigerant Pressure Sensor

Pin	Wire Color	Circuit No.	Function
1	0.5 BN/GN	2759	Low Reference
2	0.5 GY	1688	5-Volt Reference

3	0.5 OG/BK	380	A/C Refrigerant Pressure Sensor Signal
---	-----------	-----	--

Accelerator Pedal Position (APP) Sensor



Connector Part Information

- | OEM: 7283-6463-30
- | Service: See Catalog
- | Description: 6-Way F (BK)

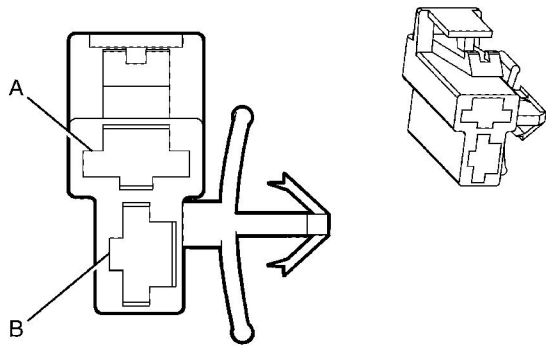
Terminal Part Information

- | Terminal/Tray: 4-964274-1/25
- | Core/Insulation Crimp: E/A
- | Release Tool/Test Probe: J-38125-560/J-35616-33 (YE)

Accelerator Pedal Position (APP) Sensor

Pin	Wire Color	Circuit No.	Function
1	0.5 BN/YE	1274	5-Volt Reference
2	0.5 WH/BK	1164	5-Volt Reference
3	0.5 D-BU/WH	1161	APP Sensor 1 Signal
4	0.5 BN	1271	Low Reference
5	0.5 PU	1272	Low Reference
6	0.5 L-BU	1162	APP Sensor 2 Signal

Accessory Power Outlet - Center Console Compartment



Connector Part Information

- | OEM: 7123-5125-30
- | Service: See Catalog
- | Description: 2-Way F (BK)

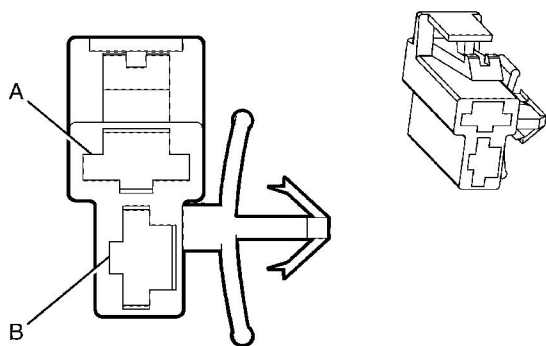
Terminal Part Information

- | Terminal/Tray: 7116-2641-02/12
- | Core/Insulation Crimp: C/B
- | Release Tool/Test Probe: 12094430/J-35616-42 (RD)

Accessory Power Outlet - Center Console Compartment

Pin	Wire Color	Circuit No.	Function
A	1.25 D-GN	9301	Accessory Voltage
B	1.25 BK	2050	Ground

Accessory Power Outlet - I/P



Connector Part Information

- | OEM: 7123-5125-30

- | Service: See Catalog
- | Description: 2-Way (BK)

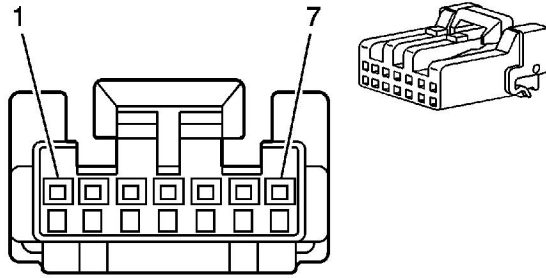
Terminal Part Information

- | Terminal/Tray: 7116-2641-02/12
- | Core/Insulation Crimp: C/B
- | Release Tool/Test Probe: 12094430/J-35616-42 (RD)

Accessory Power Outlet - I/P

Pin	Wire Color	Circuit No.	Function
1	1.25 D-GN	9301	Accessory Voltage
2	1.25 BK	850	Ground

Air Temperature Actuator (C60)



Connector Part Information

- | OEM: IL-AG5-7S-S3C1
- | Service: See Catalog
- | Description: 7-Way F (GN)

Terminal Part Information

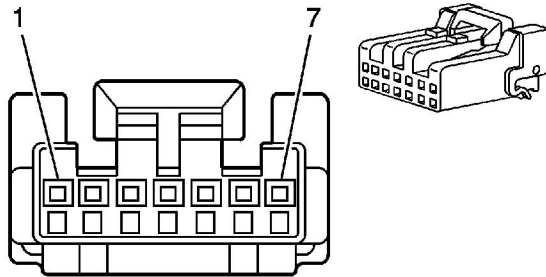
- | Terminal/Tray: See Terminal Repair Kit
- | Core/Insulation Crimp: See Terminal Repair Kit
- | Release Tool/Test Probe: See Terminal Repair Kit

Air Temperature Actuator (C60)

Pin	Wire Color	Circuit No.	Function
1	0.5 YE	598	5-Volt Reference
2	--	--	Not Used
3	0.5 GY	1791	Low Reference
4	--	--	Not Used
5	0.5 WH	733	Air Temperature Door Position Signal

6	0.5 D-BU/WH	5954	Air Temperature Motor Control
7	0.5 RD/WH	2210	Air Temperature Door Control

Air Temperature Actuator - Left (CJ2)



Connector Part Information

- | OEM: IL-AG5-7S-S3C1
- | Service: See Catalog
- | Description: 7-Way F (GN)

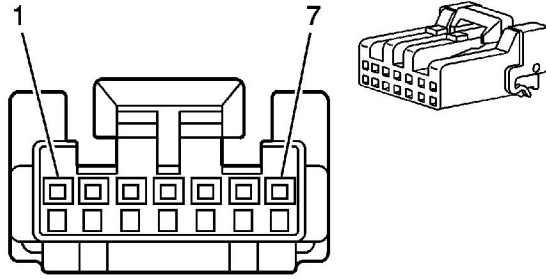
Terminal Part Information

- | Terminal/Tray: See Terminal Repair Kit
- | Core/Insulation Crimp: See Terminal Repair Kit
- | Release Tool/Test Probe: See Terminal Repair Kit

Air Temperature Actuator - Left (CJ2)

Pin	Wire Color	Circuit No.	Function
1	0.5 YE	598	5-Volt Reference
2	--	--	Not Used
3	0.5 GY	1791	Low Reference
4	--	--	Not Used
5	0.5 WH	733	Air Temperature Door Position Signal
6	0.5 D-BU/WH	5954	Air Temperature Motor Control
7	0.5 RD/WH	2210	Air Temperature Door Control

Air Temperature Actuator - Right (CJ2)



Connector Part Information

- | OEM: IL-AG5-7S-S3C1
- | Service: See Catalog
- | Description: 7-Way F (GN)

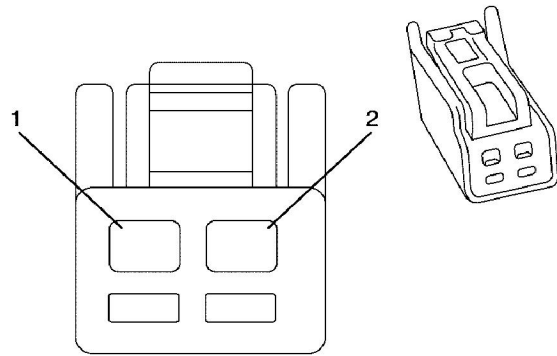
Terminal Part Information

- | Terminal/Tray: See Terminal Repair Kit
- | Core/Insulation Crimp: See Terminal Repair Kit
- | Release Tool/Test Probe: See Terminal Repair Kit

Air Temperature Actuator - Right (CJ2)

Pin	Wire Color	Circuit No.	Function
1	0.5 YE	598	5-Volt Reference
2	--	--	Not Used
3	0.5 GY	1791	Low Reference
4	--	--	Not Used
5	0.5 L-GN	1646	Driver Air Temperature Door Control A
6	0.5 BN	2778	Right Air Temperature Door Control A
7	0.5 WH/BK	1236	Auxiliary Air Temperature Door Control

Air Temperature Sensor



Connector Part Information

- | OEM: 7283-5845
- | Service: See Catalog
- | Description: 2-Way F 040-III (NA)

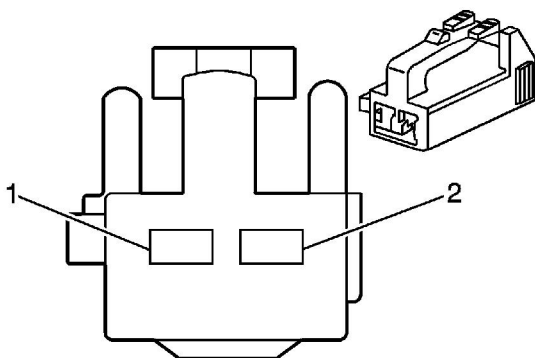
Terminal Part Information

- | Terminal/Tray: See Terminal Repair Kit
- | Core/Insulation Crimp: See Terminal Repair Kit
- | Release Tool/Test Probe: See Terminal Repair Kit

Air Temperature Sensor

Pin	Wire Color	Circuit No.	Function
A	0.5 GY	1791	Low Reference
B	0.5 GY	1199	Air Temperature Door Control

Air Temperature Sensor - Inside



Connector Part Information

- | OEM: 7123-1520

- | Service: 88988450
- | Description: 2-Way F 090 Series (NA)

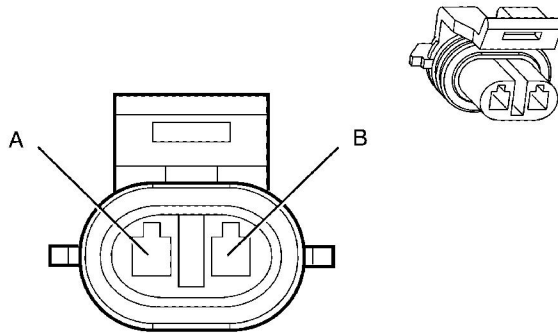
Terminal Part Information

- | Terminal/Tray: 7116-1180/11
- | Core/Insulation Crimp: C/E/C
- | Release Tool/Test Probe: 15315247/J-35616-18 (BK)

Air Temperature Sensor - Inside

Pin	Wire Color	Circuit No.	Function
A	0.3 D-GN	734	Inside Ambient Temperature Sensor Low Reference
B	0.3 BN	61	Outside Air Temperature Sensor Signal

Ambient Air Temperature Sensor



Connector Part Information

- | OEM: 7223-9725-30
- | Service: 88987920
- | Description: 2-Way F (BK)

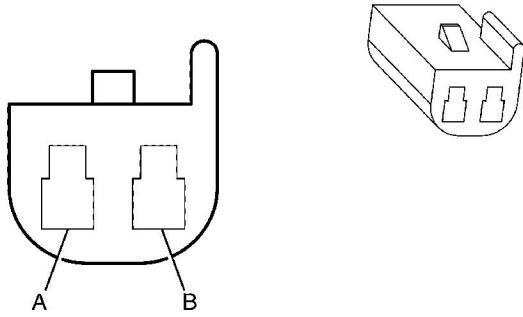
Terminal Part Information

- | Terminal/Tray: 12048074/2
- | Core/Insulation Crimp: E/1
- | Release Tool/Test Probe: 12094429/J-35616-14 (GN)

Ambient Air Temperature Sensor

Pin	Wire Color	Circuit No.	Function
A	0.3 BN	61	Low Reference
B	0.3 L-GN/BK	735	5-Volt Reference

Ambient Light Sensor (C60)



Connector Part Information

- | OEM: 7123-8328-30
- | Service: 12085535
- | Description: 2-Way F (BK)

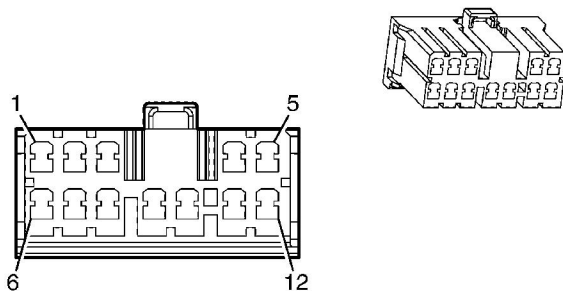
Terminal Part Information

- | Terminal/Tray: 12064971/5
- | Core/Insulation Crimp: E/C
- | Release Tool/Test Probe: 12094429/J-35616-14 (GN)

Ambient Light Sensor (C60)

Pin	Wire Color	Circuit No.	Function
A	0.3 L-GN/BK	1137	DRL Ambient Light Sensor Signal
B	0.3 BK	850	Ground

Audio Amplifier (UWP)



Connector Part Information

- | OEM: 7123-1423
- | Service: See Catalog
- | Description: 12-Way F

Terminal Part Information

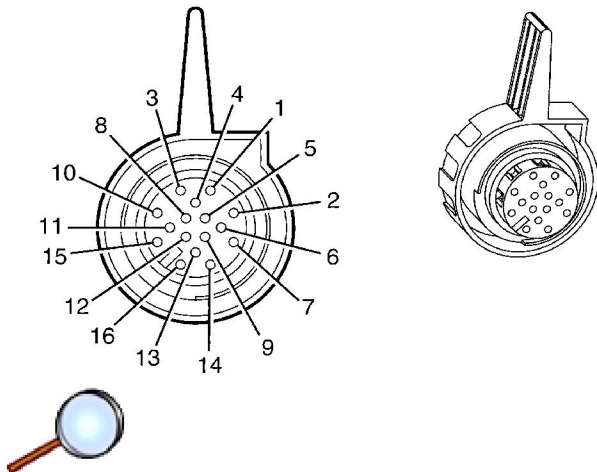
- | Pins: 1, 2, 6, 7
- | Terminal/Tray: 173630-7/7
- | Core/Insulation Crimp: E/4
- | Release Tool/Test Probe: 15315247/J-35616-33 (YE)

- | Pins: 3-5, 8-12
- | Terminal/Tray: 173630-7/7
- | Core/Insulation Crimp: E/A
- | Release Tool/Test Probe: 15315247/J-35616-33 (YE)

Audio Amplifier (UWP)

Pin	Wire Color	Circuit No.	Function
1	0.5 BN	199	Left Rear Speaker Output (+)
2	0.5 D-BU	46	Right Rear Speaker Output (+)
3	1.25 D-BU/WH	346	Left Subwoofer Speaker Output (+)
4	1.25 OG/WH	2040	Battery Positive Voltage
5	1.25 BK	2050	Ground
6	0.5 YE/RD	116	Left Rear Speaker Output (-)
7	0.5 L-BU	115	Right Rear Speaker Output (-)
8	1.25 L-GN/BK	1794	Left Subwoofer Speaker Output (-)
9	1.25 D-GN	1795	Right Subwoofer Speaker Output (+)
10	1.25 L-BU/BK	315	Right Subwoofer Speaker Output (-)
11	1.25 OG/WH	2040	Battery Positive Voltage
12	1.25 BK	2050	Ground

Automatic Transmission (MYC)



Connector Part Information

- | OEM: 7229-4189-30
- | Service: See Catalog
- | Description: 16-Way F

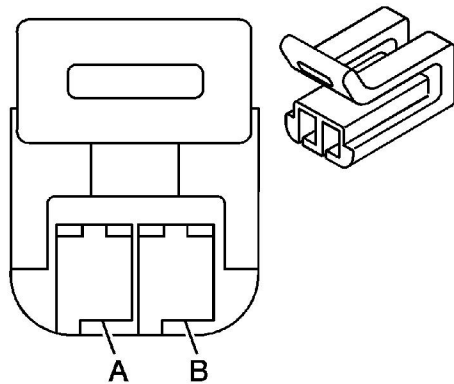
Terminal Part Information

- | Terminal/Tray: See Terminal Repair Kit
- | Core/Insulation Crimp: See Terminal Repair Kit
- | Release Tool/Test Probe: See Terminal Repair Kit

Automatic Transmission (MYC)

Pin	Wire Color	Circuit No.	Function
1	0.75 OG/YE	3640	Battery Positive Voltage
2	0.75 BK	450	Ground
3	0.5 OG/BK	1786	Park/Neutral Signal
4	0.75 OG/YE	3640	Battery Positive Voltage
5	0.75 BK	450	Ground
6	0.5 WH/BU	17	Stop Lamp Switch Signal
7-8	--	--	Not Used
9	0.5 D-BU	5985	Accessory Wakeup Serial Data
10	0.5 BN/BK	9002	High Speed GMLAN Serial Data Bus+
11	0.5 BN	9003	High Speed GMLAN Serial Data Bus-
12	0.5 PK	439	Ignition 1 Voltage
13	0.5 BN	9001	High Speed GMLAN Serial Data Bus-
14	0.5 BN/BK	9000	High Speed GMLAN Serial Data Bus+
15-16	--	--	Not Used

Automatic Transmission Input Shaft Speed (ISS) Sensor



Connector Part Information

- | OEM: 10768934
- | Service: See Catalog
- | Description: 2-Way F (BK)

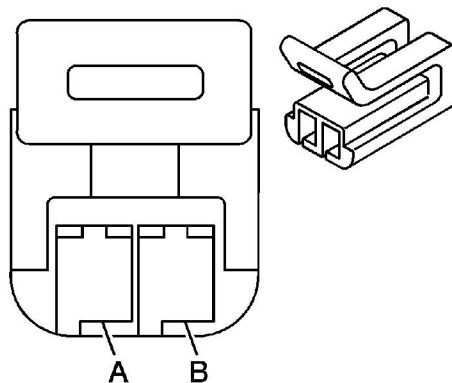
Terminal Part Information

- | Terminal/Tray: See Terminal Repair Kit
- | Core/Insulation Crimp: See Terminal Repair Kit
- | Release Tool/Test Probe: See Terminal Repair Kit

Automatic Transmission Input Shaft Speed (ISS) Sensor

Pin	Wire Color	Circuit No.	Function
A	0.5 YE	1983	Transmission Turbine Speed Switch Signal
B	0.5 WH	1984	Transmission Turbine Speed Switch Low Reference

Automatic Transmission Output Shaft Speed (OSS) Sensor



Connector Part Information

- | OEM: 12162201
- | Service: See Catalog
- | Description: 2-Way F Metri-Pack 150.2 Series, Pull To Seat (BK)

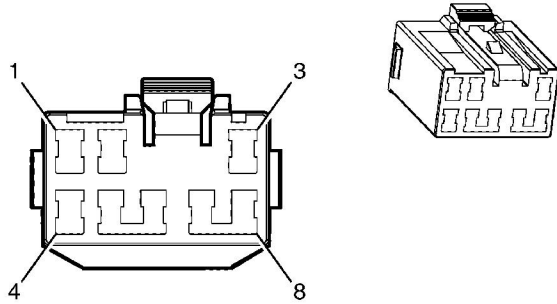
Terminal Part Information

- | Terminal/Tray: See Terminal Repair Kit
- | Core/Insulation Crimp: See Terminal Repair Kit
- | Release Tool/Test Probe: See Terminal Repair Kit

Automatic Transmission Output Shaft Speed (OSS) Sensor

Pin	Wire Color	Circuit No.	Function
A	0.5 OG	822	VSS Low Signal
B	0.5 WH	821	VSS High Signal

Automatic Transmission Shift Lever



Connector Part Information

- | OEM: 7283-7087
- | Service: See Catalog
- | Description: 8-Way F (BK)

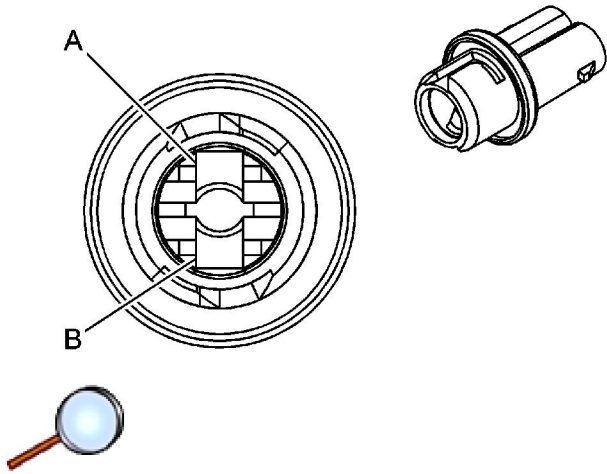
Terminal Part Information

- | Terminal/Tray: 7116-4020/11
- | Core/Insulation Crimp: E/C
- | Release Tool/Test Probe: 15315247/J-35616-18 (BK)

Automatic Transmission Shift Lever

Pin	Wire Color	Circuit No.	Function
1	0.3 PU	1375	Transmission Cruise Switch Reference
2	0.3 D-GN/WH	1135	A/T Shift Lock Control Solenoid Supply Voltage
3	0.3 BK	850	Ground
4	0.3 PU/RD	5526	Transmission Range Select Reference
5	--	--	Not Used
6	0.3 PU/WH	1630	Steering Column Key Cylinder Lock Solenoid Control
7	--	--	Not Used
8	0.3 YE	6817	LED Backlight Diming Control

Backup Lamp - Left



Connector Part Information

- | OEM: 15317651
- | Service: See Catalog
- | Description: 2-Way F Bulb Socket (WH)

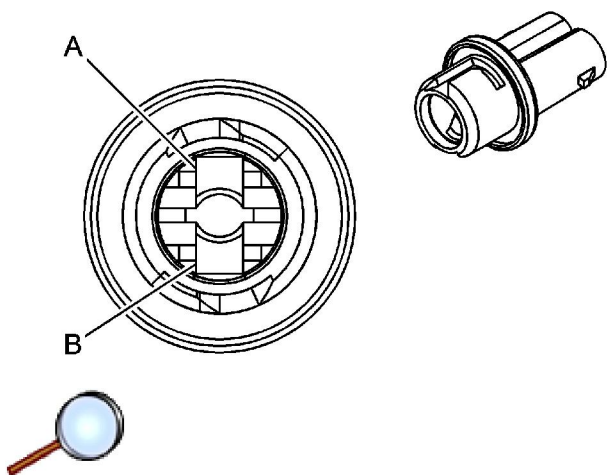
Terminal Part Information

- | Terminal/Tray: See Terminal Repair Kit
- | Core/Insulation Crimp: See Terminal Repair Kit
- | Release Tool/Test Probe: See Terminal Repair Kit

Backup Lamp - Left

Pin	Wire Color	Circuit No.	Function
1	0.85 L-GN	--	Backup Lamp Supply Voltage
2	0.85 BK	--	Ground

Backup Lamp - Right



Connector Part Information

- | OEM: 15317651

- | Service: See Catalog
- | Description: 2-Way F Bulb Socket (WH)

Terminal Part Information

- | Terminal/Tray: See Terminal Repair Kit
- | Core/Insulation Crimp: See Terminal Repair Kit
- | Release Tool/Test Probe: See Terminal Repair Kit

Backup Lamp - Right

Pin	Wire Color	Circuit No.	Function
1	0.85 L-GN	--	Backup Lamp Supply Voltage
2	0.85 BK	--	Ground

Battery (-)

Terminal Part Information

- | Terminal: 7306-2055-03
- | Core/Insulation Crimp: N/A
- | Description: Battery Terminal

Battery (-)

Pin	Wire Color	Circuit No.	Function
-	50 BK	50	Ground

Battery (+)

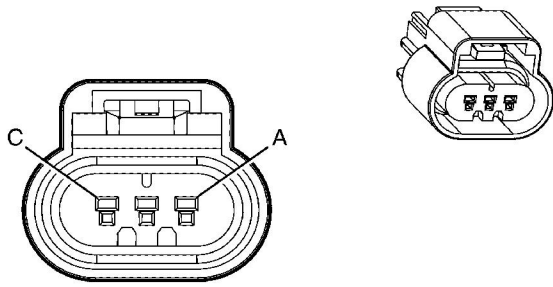
Terminal Part Information

- | Terminal: 7306-3053-06
- | Core/Insulation Crimp: N/A
- | Description: Battery Terminal

Battery (+)

Pin	Wire Color	Circuit No.	Function
+	50 RD	1	Battery Positive

Battery Current Sensor



Connector Part Information

- | OEM: 7283-6579-30
- | Service: See Catalog
- | Description: 3-Way F (BK)

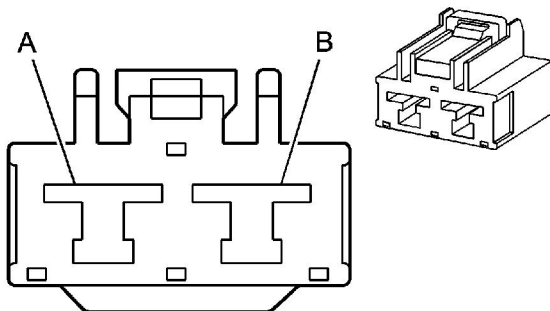
Terminal Part Information

- | Terminal/Tray: 12191819/8
- | Core/Insulation Crimp: E/A
- | Release Tool/Test Probe: 15315247/J-35616-2A (GY)

Battery Current Sensor

Pin	Wire Color	Circuit No.	Function
A	0.3 PK	5076	5-Volt Reference
B	0.3 BN	5077	Low Reference
C	0.3 WH/GN	5075	Battery Current Signal

Blower Motor



Connector Part Information

- | OEM: 7283-3123
- | Service: See Catalog
- | Description: 2-Way F (WH)

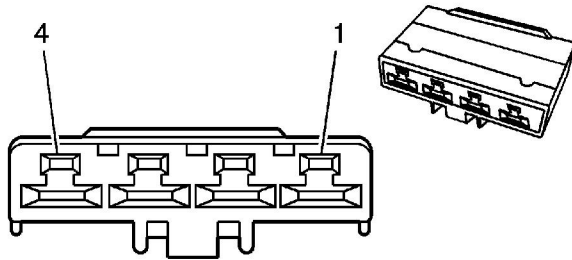
Terminal Part Information

- | Terminal/Tray: 7116-6041/11
- | Core/Insulation Crimp: A/B
- | Release Tool/Test Probe: 12094430/J-35616-44 (YE)

Blower Motor

Pin	Wire Color	Circuit No.	Function
A	3 OG	5987	Ground
B	3 PU	65	Blower Motor Supply Voltage

Blower Motor Control Module



Connector Part Information

- | OEM: 7283-3141-30
- | Service: See Catalog
- | Description: 4-Way F (BK)

Terminal Part Information

- | Pins: 1, 3, 4
- | Terminal/Tray: 7116-6041/11
- | Core/Insulation Crimp: A/B
- | Release Tool/Test Probe: 12094430/J-35616-44 (YE)

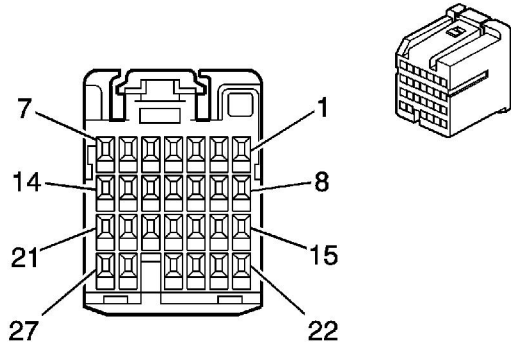
- | Pin: 2
- | Terminal/Tray: See Terminal Repair Kit
- | Core/Insulation Crimp: See Terminal Repair Kit
- | Release Tool/Test Probe: See Terminal Repair Kit

Blower Motor Control Module

--	--	--	--	--	--

Pin	Wire Color	Circuit No.	Function
1	3 BK	850	Ground
2	0.5 GY/BK	754	Blower Motor Speed Control
3	3 PU	65	Blower Motor Supply Voltage
4	3 OG	5987	Blower Motor Low Reference

Body Control Module (BCM) X1



Connector Part Information

- | OEM: 7283-9177-60
- | Service: 88988838
- | Description: 27-Way F (GN)

Terminal Part Information

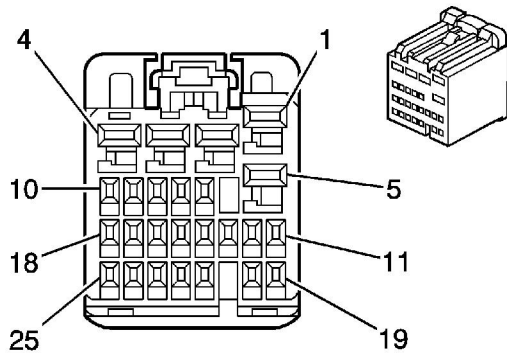
- | Terminal/Tray: See Terminal Repair Kit
- | Core/Insulation Crimp: See Terminal Repair Kit
- | Release Tool/Test Probe: See Terminal Repair Kit

Body Control Module (BCM) X1

Pin	Wire Color	Circuit No.	Function
1	--	--	Not Used
2	0.3 WH	1390	Ignition Key Resistor Low Reference
3	0.5 GY	1884	Cruise Control Switch Signal
4	0.3 WH/BK	1073	Ignition Key Resistor Signal
5	0.3 L-GN	1715	Windshield Wiper Switch High Signal
6-7	--	--	Not Used
8	0.3 BK/WH	1251	Wiper Switch Low Reference
9	0.3 L-BU	1714	Windshield Wiper Switch Low Signal
10-13	--	--	Not Used
14	0.3 PK	3	Run/Crank Voltage

15	0.3 L-BU/WH	1414	Left Turn Signal Switch Signal
16	0.3 D-BU/WH	1415	Right Turn Signal Switch Signal
17	0.3 PU	1375	Remote Radio Control Supply Voltage
18	PU/YE	524	Headlamp Dimmer Switch High Beam Signal
19	0.3 WH/RD	6821	Dome Lamp Supply Voltage
20	0.3 PU/RD	5526	Transmission Electronic Range Select Signal
21	0.3 BN	4	Ignition 1 Voltage
22-23	--	--	Not Used
24	0.3 OG	94	Windshield Washer Switch Signal
25	0.3 BN/RD	1356	Flash To Pass Switch Signal
26-27	--	--	Not Used

Body Control Module (BCM) X2



Connector Part Information

- | OEM: 7283-1373
- | Service: 88988839
- | Description: 25-Way F (WH)

Terminal Part Information

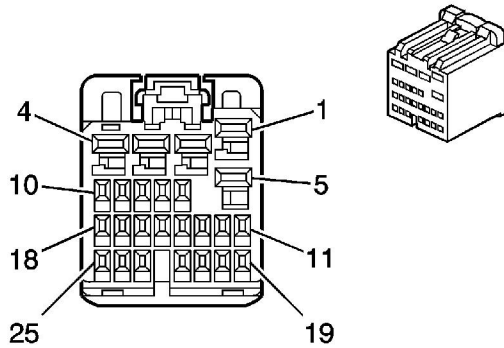
- | Terminal/Tray: See Terminal Repair Kit
- | Core/Insulation Crimp: See Terminal Repair Kit
- | Release Tool/Test Probe: See Terminal Repair Kit

Body Control Module (BCM) X2

Pin	Wire Color	Circuit No.	Function
1	0.85 OG	1732	Inadvertent Power Supply Voltage
2	0.85 OG/BU	1240	Battery Positive Voltage
3	0.85 GY	8	Instrument Panel Lamp Supply Voltage
4	--	--	Not Used

5	0.85 D-BU/WH	149	Courtesy Lamp Supply Voltage
6-7	--	--	Not Used
8	0.3 BN/WH	301	Park Lamp Switch On Signal
9	--	--	Not Used
10	0.3 D-BU	6189	Rear Compartment Relay Switch
11	0.3 L-GN/BK	1137	DRL Ambient Light Sensor Signal
12	0.3 WH	103	Headlamp Switch Headlamps On Signal
13-16	--	--	Not Used
17	0.3 D-GN	306	Headlamp Switch Headlamps Off Signal
18	0.3 PK/BK	1597	Courtesy Lamps Switch Signal
19-20	--	--	Not Used
21	0.3 BN/OG	1571	Traction Control Switch Signal
22	0.3 D-GN/WH	1135	A/T Shift Lock Control Solenoid Supply Voltage
23-24	--	--	Not Used
25	0.3 PU	328	Interior Lamp Switch Signal

Body Control Module (BCM) X3



Connector Part Information

- | OEM: 7283-1374-90
- | Service: 88988840
- | Description: 25-Way F (BU)

Terminal Part Information

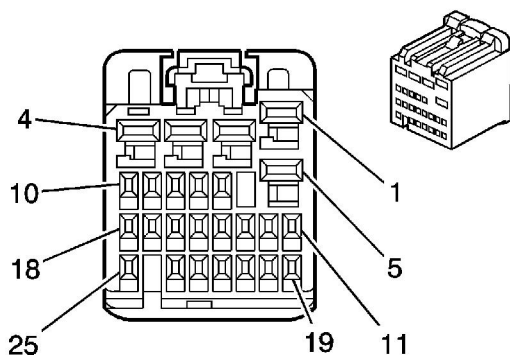
- | Terminal/Tray: See Terminal Repair Kit
- | Core/Insulation Crimp: See Terminal Repair Kit
- | Release Tool/Test Probe: See Terminal Repair Kit

Body Control Module (BCM) X3

Pin	Wire Color	Circuit No.	Function
-----	------------	-------------	----------

1	0.85 BK	850	Ground
2	0.85 OG/YE	1640	Battery Positive Voltage
3	0.85 OG/RD	2740	Battery Positive Voltage
4	--	--	Not Used
5	0.85 BK	850	Ground
6	--	--	Not Used
7	0.3 GY	728	Security Indicator Control
8	0.5 BN/BK	9004	High Speed GMLAN Serial Data Bus+
9	0.5 BN	9005	High Speed GMLAN Serial Data Bus-
10	D-GN	9208	Low Speed GMLAN Serial Data
11-12	--	--	Not Used
13	0.5 L-GN	526	Stop Lamp Switch Signal
14	0.5 BN/RD	552	Low Reference
15	0.5 GY	598	5-Volt Reference
16	0.5 BN/BK	9006	High Speed GMLAN Serial Data Bus+
17	0.5 BN	9007	High Speed GMLAN Serial Data Bus-
18	0.3 YE	6817	LED Backlight Dimming Control
19	0.3 PU/WH	5727	Communication Enable Relay Control
20	--	--	Not Used
21	0.3 OG	192	Fog Lamp Switch
22-24	--	--	Not Used
25	0.3 PU/WH	6816	Heated Seat Supply Voltage (KA1)

Body Control Module (BCM) X4



Connector Part Information

- | OEM: 7283-1375-30
- | Service: 88988841
- | Description: 25-Way F (BK)

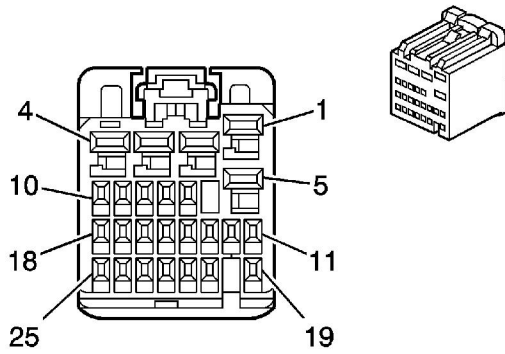
Terminal Part Information

- | Terminal/Tray: See Terminal Repair Kit
- | Core/Insulation Crimp: See Terminal Repair Kit
- | Release Tool/Test Probe: See Terminal Repair Kit

Body Control Module (BCM) X4

Pin	Wire Color	Circuit No.	Function
1	0.85 OG/RD	340	Battery Positive Voltage
2	0.85 OG	240	Battery Positive Voltage
3	0.85 OG/GN	440	Battery Positive Voltage
4	0.85 OG/PU	2140	Battery Positive Voltage
5	0.75 D-BU/WH	1315	Right Front Turn Signal Lamp Supply Voltage
6	--	--	Not Used
7	0.3 YE	196	Windshield Wiper Motor Park Switch Signal
8	--	--	Not Used
9	0.3 BK	1850	Ground
10	0.3 OG/BU	2440	Battery Positive Voltage
11	0.3 D-GN/WH	1317	Fog Lamp Relay Control
12-14	--	--	Not Used
15	0.5 OG	2268	Washer Fluid Pump Relay Control
16	0.3 BN/YE	1969	Headlamp High Beam Relay Control
17	0.3 PK/BK	109	Hood Ajar Switch Signal
18	--	--	Not Used
19	0.3 D-BU	5985	Accessory Wakeup Serial Data
20	--	--	Not Used
21	0.3 PK	1439	Run/Crank Control
22	0.3 BN	253	Trunk Release Relay Control
23	0.3 PU	544	Headlamp Low Beam Supply Voltage
24	0.3 D-GN	646	Backup Lamp Relay Control
25	--	--	Not Used

Body Control Module (BCM) X5



Connector Part Information

- | OEM: 7283-1377-80
- | Service: 88988837
- | Description: 25-Way F (BN)

Terminal Part Information

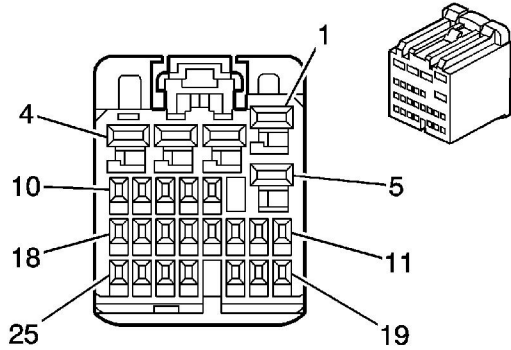
- | Terminal/Tray: See Terminal Repair Kit
- | Core/Insulation Crimp: See Terminal Repair Kit
- | Release Tool/Test Probe: See Terminal Repair Kit

Body Control Module (BCM) X5

Pin	Wire Color	Circuit No.	Function
1	0.85 YE/BK	1334	Left Rear Turn Signal Lamp Supply Voltage
2	0.85 D-GN/WH	1335	Right Rear Turn Signal Lamp Supply Voltage
3	--	--	Not Used
4	0.75 L-BU/WH	1314	Left Front Turn Signal Lamp Supply
5	--	--	Not Used
6	0.5 WH/BU	17	Stop Lamp Switch Signal
7	--	--	Not Used
8	0.3 PK	5076	5-Volt Reference
9	0.3 WH/GN	5075	Battery Current Signal
10	0.3 BN	5077	Low Reference
11	0.3 BN/YE	707	RAP Relay Coil Supply Voltage
12-13	--	--	Not Used
14	0.3 YE	43	Accessory Power Relay Control
15	0.3 PU	5531	Hood Closed Switch Signal
16	0.5 OG/BK	233	Park Brake Switch Signal
17	--	--	Not Used
18	0.3 BN/BK	28	Horn Relay Control
19	--	--	Not Used
20	0.3 GY	91	Windshield Wiper Switch Signal 2

21	0.3 BN/RD	860	Front Windshield Wiper Switch High Signal
22	--	--	Not Used
23	0.3 PK/WH	1970	Headlamp Low Beam Relay Control
24	0.3 WH/YE	1080	Park Lamp Relay Control
25	--	--	Not Used

Body Control Module (BCM) X6



Connector Part Information

- | OEM: 7283-1376-50
- | Service: 88988842
- | Description: 25-Way F (PK)

Terminal Part Information

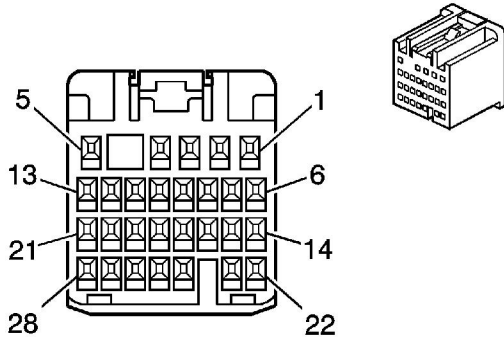
- | Terminal/Tray: See Terminal Repair Kit
- | Core/Insulation Crimp: See Terminal Repair Kit
- | Release Tool/Test Probe: See Terminal Repair Kit

Body Control Module (BCM) X6

Pin	Wire Color	Circuit No.	Function
1	--	--	Not Used
2	1.25 L-BU	20	Stop Lamp Supply Voltage
3-7	--	--	Not Used
8	0.3 BN/WH	746	Passenger Front Door Ajar Switch Signal
9	--	--	Not Used
10	0.3 GY/BK	745	Driver Door Ajar Switch Signal
11-19	--	--	Not Used
20	0.3 PK	781	Driver Door Lock Switch Unlock Signal
21	--	--	Not Used
22	0.3 OG/BK	744	Liftgate Ajar Switch Signal

23	0.3 PK/BK	780	Driver Door Lock Switch Lock Signal
24-25	--	--	Not Used

Body Control Module (BCM) X7



Connector Part Information

- | OEM: 7283-9232-40
- | Service: 88988806
- | Description: 28-Way F (GY)

Terminal Part Information

- | Terminal/Tray: See Terminal Repair Kit
- | Core/Insulation Crimp: See Terminal Repair Kit
- | Release Tool/Test Probe: See Terminal Repair Kit

Body Control Module (BCM) X7

Pin	Wire Color	Circuit No.	Function
1-5	--	--	Not Used
6	0.3 L-BU	5921	Door Unlock Supply Voltage
7	0.3 D-BU/WH	195	Door Lock Control
8	--	--	Not Used
9	0.3 WH	194	Door Unlock Control
10	0.3 GY/BU	7388	Headlamp Dimming Switch Up
11	0.3 BN/BK	254	Power Door Unlock Fuse Supply Voltage
12	0.3 GY/BK	255	Power Door Lock Fuse Supply Voltage
13-23	--	--	Not Used
24	0.3 GY/WH	7389	Headlamp Dimming Switch Down
25-28	--	--	Not Used

Brake Booster Vacuum Sensor (L76)



Connector Part Information

- | OEM: 7283-5880-10
- | Service: 88988602
- | Description: 3-Way F YESC Sealed (GY)

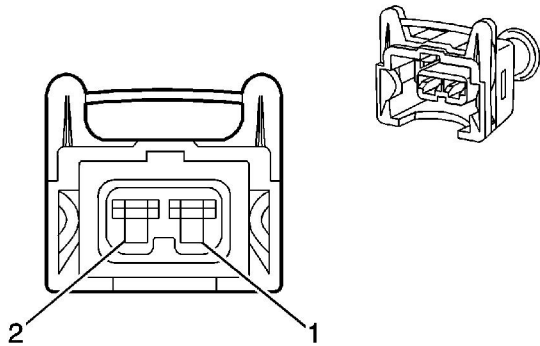
Terminal Part Information

- | Terminal/Tray: 7116-4102-08/9
- | Core/Insulation Crimp: E/1
- | Release Tool/Test Probe: 12094430/J-35616-2A (GY)

Brake Booster Vacuum Sensor (L76)

Pin	Wire Color	Circuit No.	Function
1	0.5 D-BU	1809	Brake Booster Vacuum Sensor Signal
2	0.5 L-GN/BK	6258	Brake Booster Vacuum Low Reference
3	0.5 L-GN	6257	Brake Booster Vacuum 5-Volt Supply

Brake Fluid Level Switch



Connector Part Information

- | OEM: 7219-5226-30
- | Service: See Catalog
- | Description: 2-Way F (BK)

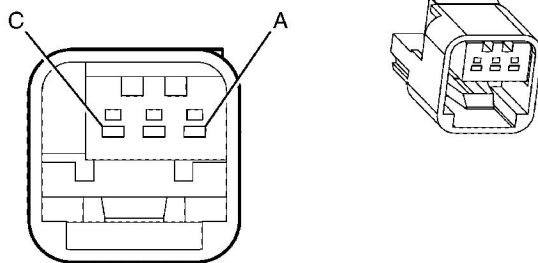
Terminal Part Information

- | Terminal/Tray: See Terminal Repair Kit
- | Core/Insulation Crimp: See Terminal Repair Kit
- | Release Tool/Test Probe: See Terminal Repair Kit

Brake Fluid Level Switch

Pin	Wire Color	Circuit No.	Function
1	0.3 BK	350	Ground
2	0.3 BN/WH	33	Brake Warning Indicator Control

Brake Pedal Position (BPP) Sensor



Connector Part Information

- | OEM: 7283-2525-30
- | Service: 88953364
- | Description: 3-Way F (BK)

Terminal Part Information

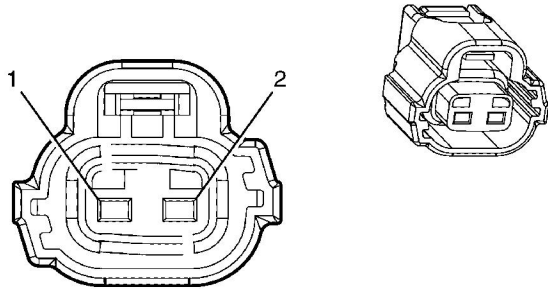
- | Terminal/Tray: 12191812/19
- | Core/Insulation Crimp: E/C
- | Release Tool/Test Probe: 15315247/J-35616-2A (GY)

Brake Pedal Position (BPP) Sensor

Pin	Wire Color	Circuit No.	Function
A	0.5 GY	598	5-Volt Reference
B	0.5 L-GN	526	Stop Lamp Switch Signal

C	0.5 BN/RD	552	Low Reference
---	-----------	-----	---------------

Camshaft Position (CMP) Actuator Solenoid Valve - Bank 1 Exhaust (LY7)



Connector Part Information

- | OEM: 7283-7526-30
- | Service: 88988588
- | Description: 2-Way F Sealed (BK)

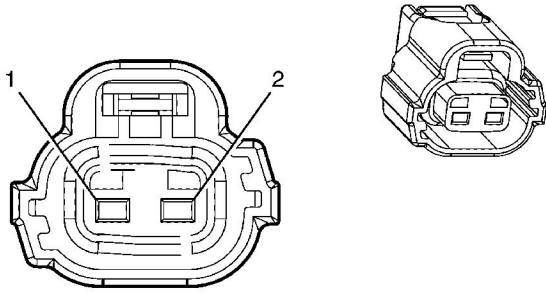
Terminal Part Information

- | Terminal/Tray: 7116-4026/11
- | Core/Insulation Crimp: E/1
- | Release Tool/Test Probe: 15313892/J-35616-18 (BK)

Camshaft Position (CMP) Actuator Solenoid Valve - Bank 1 Exhaust (LY7)

Pin	Wire Color	Circuit No.	Function
1	0.75 PK/BU	5293	Ignition 1 Voltage
2	0.75 L-GN	5282	CMP Actuator Solenoid Control - Exhaust Bank 1

Camshaft Position (CMP) Actuator Solenoid Valve - Bank 1 Intake (LY7)



Connector Part Information

- | OEM: 7283-7526-30
- | Service: 88988588
- | Description: 2-Way F Sealed (BK)

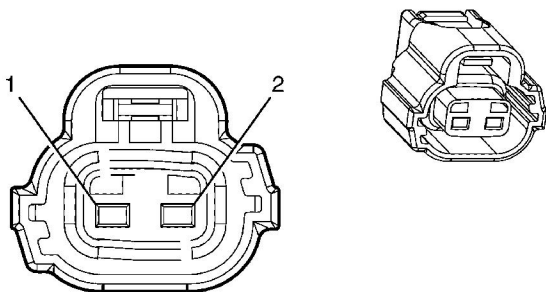
Terminal Part Information

- | Terminal/Tray: 7116-4026/11
- | Core/Insulation Crimp: E/1
- | Release Tool/Test Probe: 15313892/J-35616-18 (BK)

Camshaft Position (CMP) Actuator Solenoid Valve - Bank 1 Intake (LY7)

Pin	Wire Color	Circuit No.	Function
1	0.75 PK/BU	5293	Ignition 1 Voltage
2	0.75 PU	5284	CMP Actuator Solenoid Control - Intake Bank 1

Camshaft Position (CMP) Actuator Solenoid Valve - Bank 2 Exhaust (LY7)



Connector Part Information

- | OEM: 7283-7526-30
- | Service: 88988588
- | Description: 2-Way F Sealed (BK)

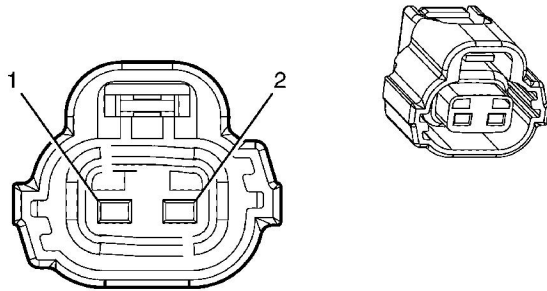
Terminal Part Information

- | Terminal/Tray: 7116-4026/11
- | Core/Insulation Crimp: E/1
- | Release Tool/Test Probe: 15313892/J-35616-18 (BK)

Camshaft Position (CMP) Actuator Solenoid Valve - Bank 2 Exhaust (LY7)

Pin	Wire Color	Circuit No.	Function
1	0.75 PK/BU	5293	Ignition 1 Voltage
2	0.75 WH/BK	5283	CMP Actuator Solenoid Control - Exhaust Bank 2

Camshaft Position (CMP) Actuator Solenoid Valve - Bank 2 Intake (LY7)



Connector Part Information

- | OEM: 7283-7526-30
- | Service: 88988588
- | Description: 2-Way F Sealed (BK)

Terminal Part Information

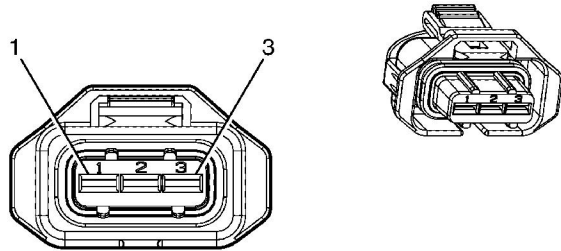
- | Terminal/Tray: 7116-4026/11
- | Core/Insulation Crimp: E/1
- | Release Tool/Test Probe: 15313892/J-35616-18 (BK)

Camshaft Position (CMP) Actuator Solenoid Valve - Bank 2 Intake (LY7)

Pin	Wire Color	Circuit No.	Function

Pin	Wire Color	Circuit No.	Function
1	0.75 PK/BU	5293	Ignition 1 Voltage
2	0.75 OG/BK	5272	CMP Actuator Solenoid Control - Intake Bank 2

Camshaft Position (CMP) Sensor - Bank 1 Exhaust (LY7)



Connector Part Information

- | OEM: 7283-6206-30
- | Service: See Catalog
- | Description: 3-Way F (BK)

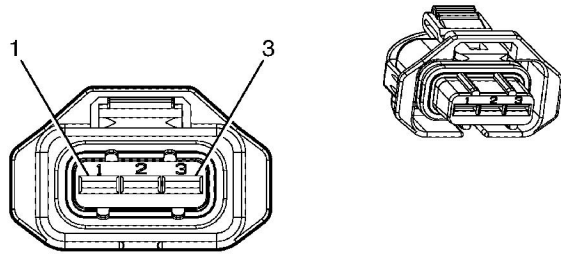
Terminal Part Information

- | Terminal/Tray: See Terminal Repair Kit
- | Core/Insulation Crimp: See Terminal Repair Kit
- | Release Tool/Test Probe: See Terminal Repair Kit

Camshaft Position (CMP) Sensor - Bank 1 Exhaust (LY7)

Pin	Wire Color	Circuit No.	Function
1	0.75 PK/BK	632	Low Reference
2	0.5 D-GN	5273	CMP Sensor Signal - Exhaust Bank 1
3	0.75 GY	705	5-Volt Reference

Camshaft Position (CMP) Sensor - Bank 1 Intake (LY7)



Connector Part Information

- | OEM: 7283-6206-30
- | Service: See Catalog
- | Description: 3-Way F (BK)

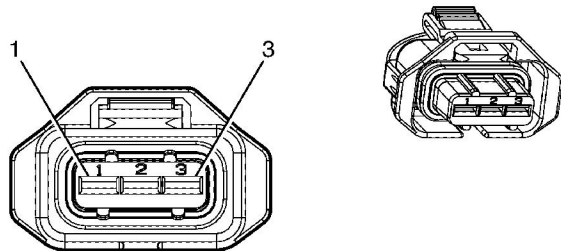
Terminal Part Information

- | Terminal/Tray: See Terminal Repair Kit
- | Core/Insulation Crimp: See Terminal Repair Kit
- | Release Tool/Test Probe: See Terminal Repair Kit

Camshaft Position (CMP) Sensor - Bank 1 Intake (LY7)

Pin	Wire Color	Circuit No.	Function
1	0.5 PK/BK	632	Low Reference
2	0.5 OG/BU	5275	CMP Sensor Signal - Intake Bank 1
3	0.5 GY	705	5-Volt Reference

Camshaft Position (CMP) Sensor - Bank 2 Exhaust (LY7)



Connector Part Information

- | OEM: 7283-6206-30
- | Service: See Catalog
- | Description: 3-Way F (BK)

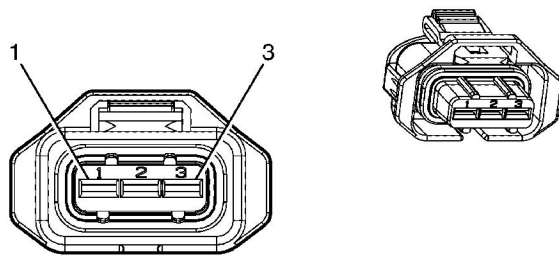
Terminal Part Information

- | Terminal/Tray: See Terminal Repair Kit
- | Core/Insulation Crimp: See Terminal Repair Kit
- | Release Tool/Test Probe: See Terminal Repair Kit

Camshaft Position (CMP) Sensor - Bank 2 Exhaust (LY7)

Pin	Wire Color	Circuit No.	Function
1	0.5 PK/BK	632	Low Reference
2	0.5 PU	5274	CMP Sensor Signal - Exhaust Bank 2
3	0.5 GY	705	5-Volt Reference

Camshaft Position (CMP) Sensor - Bank 2 Intake (LY7)



Connector Part Information

- | OEM: 7283-6206-30
- | Service: See Catalog
- | Description: 3-Way F

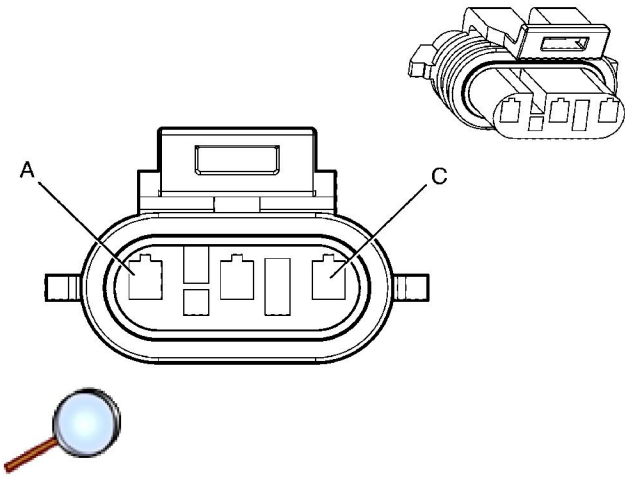
Terminal Part Information

- | Terminal/Tray: See Terminal Repair Kit
- | Core/Insulation Crimp: See Terminal Repair Kit
- | Release Tool/Test Probe: See Terminal Repair Kit

Camshaft Position (CMP) Sensor - Bank 2 Intake (LY7)

Pin	Wire Color	Circuit No.	Function
1	0.5 PK/BK	632	Low Reference
2	0.5 YE/RD	5276	CMP Sensor Signal - Intake Bank 2
3	0.5 GY	705	5-Volt Reference

Camshaft Position (CMP) Sensor (L76)



Connector Part Information

- | OEM: 7223-9735-30
- | Service: 88986451
- | Description: 3-Way F

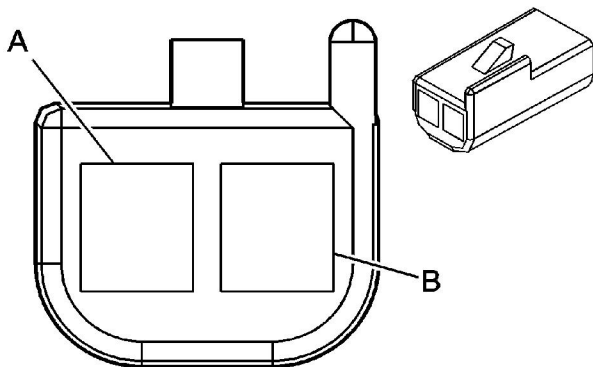
Terminal Part Information

- | Terminal/Tray: 12048074/2
- | Core/Insulation Crimp: E/1
- | Release Tool/Test Probe: 12094429/J-35616-14 (GN)

Camshaft Position (CMP) Sensor (L76)

Pin	Wire Color	Circuit No.	Function
A	0.5 OG	631	5-Volt Reference
B	0.5 PK/BK	632	Low Reference
C	0.5 BN/WH	633	CMP Sensor Signal

Center High Mounted Stop Lamp (CHMSL)





Connector Part Information

- | OEM: 12047662
- | Service: 12085535
- | Description: 2-Way F Metri-Pack 150 Series (BK)

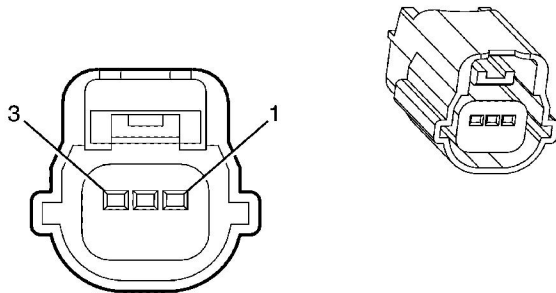
Terminal Part Information

- | Terminal/Tray: See Terminal Repair Kit
- | Core/Insulation Crimp: See Terminal Repair Kit
- | Release Tool/Test Probe: See Terminal Repair Kit

Center High Mounted Stop Lamp (CHMSL)

Pin	Wire Color	Circuit No.	Function
A	0.5 L-BU	20	Stop Lamp Supply Voltage
B	0.5 BK/WH	851	Ground

Crankshaft Position (CKP) Sensor (LY7)



Connector Part Information

- | OEM: 7283-0283-30
- | Service: See Catalog
- | Description: 3-Way F (BK)

Terminal Part Information

- | Terminal/Tray: See Terminal Repair Kit
- | Core/Insulation Crimp: See Terminal Repair Kit
- | Release Tool/Test Probe: See Terminal Repair Kit

Crankshaft Position (CKP) Sensor (LY7)

Pin	Wire Color	Circuit No.	Function

1	0.5 PU	574	Low Reference
2	0.5 YE/BU	573	CKP Sensor Signal
3	0.5 PU/WH	605	5-Volt Reference

Crankshaft Position (CKP) Sensor (L76)

Connector Part Information

- | OEM: 7223-9736-40
- | Service: 88987997
- | Description: 3-Way F

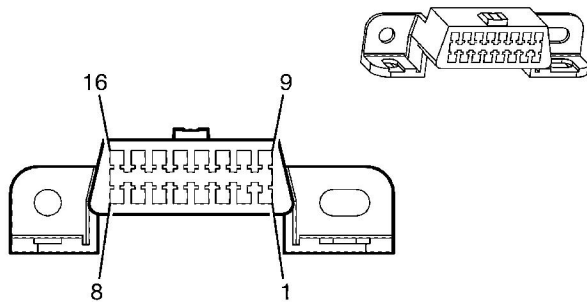
Terminal Part Information

- | Terminal/Tray: 12048074/2
- | Core/Insulation Crimp: E/1
- | Release Tool/Test Probe: 12094429/J-35616-14 (GN)

Crankshaft Position (CKP) Sensor (L76)

Pin	Wire Color	Circuit No.	Function
1	0.5 D-BU/WH	1869	CKP Sensor Signal
2	0.5 YE/BK	1868	Low Reference
3	0.5 L-GN	1867	12-Volt Reference

Data Link Connector (DLC)



Connector Part Information

- | OEM: 7123-9265-30
- | Service: See Catalog
- | Description: 16-Way F (BK)

Terminal Part Information

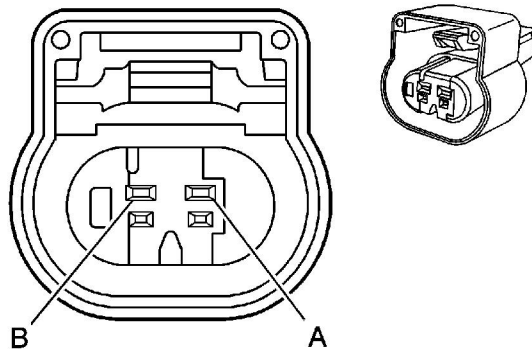
- | Pins: 1, 4, 5, 16
- | Terminal/Tray: 12129484/19
- | Core/Insulation Crimp: E/C
- | Release Tool/Test Probe: 12094429/J-35616-14 (GN)

- | Pins: 6, 14
- | Terminal/Tray: 12129484/19
- | Core/Insulation Crimp: E/C
- | Release Tool/Test Probe: 12094429/J-35616-14 (GN)

Data Link Connector (DLC)

Pin	Wire Color	Circuit No.	Function
1	0.35 D-GN	9200	Low Speed GMLAN Serial Data
2-3	--	--	Not Used
4	0.3 BK	850	Ground
5	0.3 BK	850	Ground
6	0.5 BN/BK	9004	High Speed GMLAN Serial Data Bus+
	0.5 BN/BK	9004	High Speed GMLAN Serial Data Bus+
7-13	--	--	Not Used
14	0.5 BN	9005	High Speed GMLAN Serial Data Bus-
	0.5 BN	9005	High Speed GMLAN Serial Data Bus-
15	--	--	Not Used
16	0.5 OG/WH	1840	Battery Positive Voltage

Data Link Resistor



Connector Part Information

- | OEM: 7282-9913-30
- | Service: See Catalog
- | Description: 2-Way F (BK)

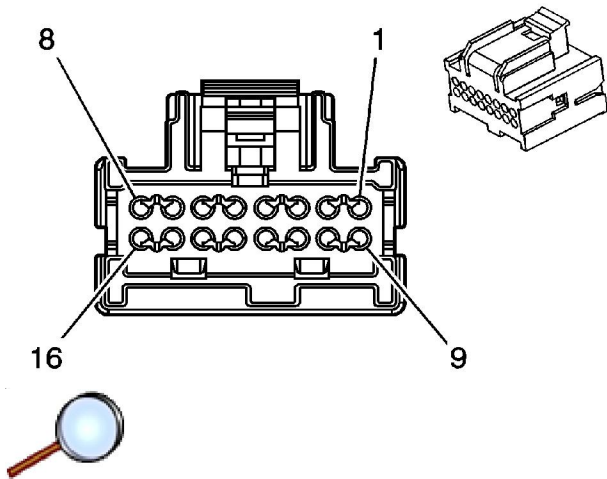
Terminal Part Information

- | Terminal/Tray: 12191819/8
- | Core/Insulation Crimp: E/A
- | Release Tool/Test Probe: 15315247/J-35616-2A (GY)

Data Link Resistor

Pin	Wire Color	Circuit No.	Function
A	0.5 BN/BK	9010	High Speed GMLAN Serial Data Bus+
B	0.5 BN	9011	High Speed GMLAN Serial Data Bus-

Digital Radio Receiver (U2K)



Connector Part Information

- | OEM: 7229-3239-30
- | Service: See Catalog
- | Description: 16-Way F Micro-Pack 64 Series (BK)

Terminal Part Information

- | Terminal/Tray: See Terminal Repair Kit
- | Core/Insulation Crimp: See Terminal Repair Kit
- | Release Tool/Test Probe: See Terminal Repair Kit

Digital Radio Receiver (U2K)

Pin	Wire Color	Circuit No.	Function
1	0.5 BN/WH	372	Remote Radio Audio Output (-)
2	0.5 D-GN	7007	Left Radio Audio Output
3	0.5 GY/BK	7008	Right Radio Audio Output
4	0.5 GY	388	Remote Radio Right Audio Signal
5	0.35 D-GN	9213	--
6-8	--	--	Not Used
9	0.5 BN	1050	Ground
10-15	--	--	Not Used

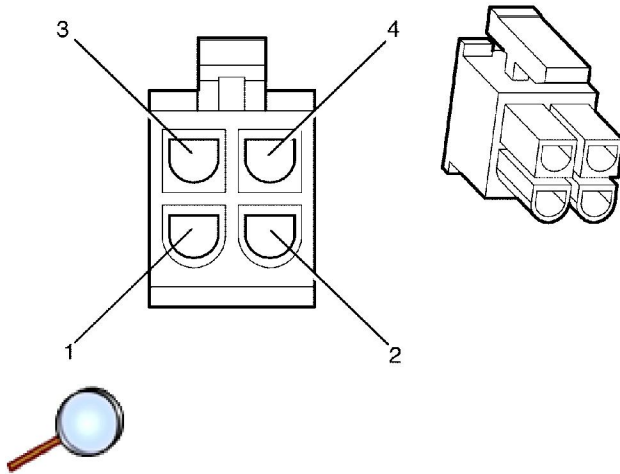
16

0.5 OG/WH

2340

Battery Positive Voltage

Dome/Reading Lamps - Front (without CF5)



Connector Part Information

- | OEM: 0039-01-2045
- | Service: See Catalog
- | Description: 4-Way F (WH)

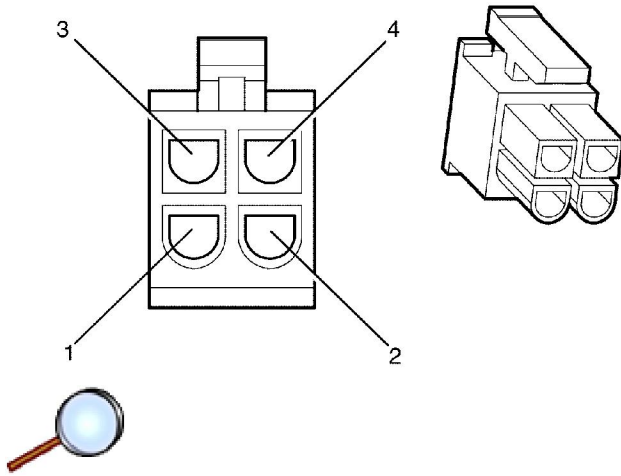
Terminal Part Information

- | Terminal/Tray: See Terminal Repair Kit
- | Core/Insulation Crimp: See Terminal Repair Kit
- | Release Tool/Test Probe: See Terminal Repair Kit

Dome/Reading Lamps - Front (without CF5)

Pin	Wire Color	Circuit No.	Function
1	0.5 BK/WH	851	Ground
2	0.3 PK/BK	1597	Courtesy Lamps Switch on signal
3	0.3 PU	328	Interior Lamp Switch Signal
4	0.5 D-BU/WH	149	Courtesy Lamp Supply Voltage

Dome/Reading Lamps - Rear



Connector Part Information

- | OEM: 0039-01-2045
- | Service: See Catalog
- | Description: 4-Way F (WH)

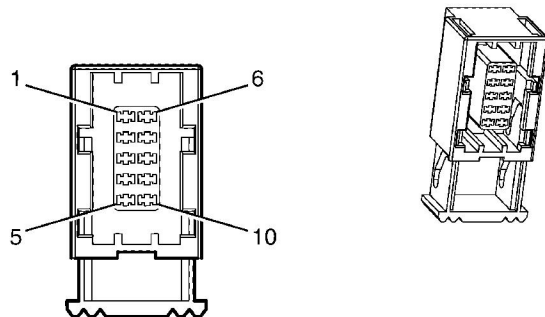
Terminal Part Information

- | Terminal/Tray: See Terminal Repair Kit
- | Core/Insulation Crimp: See Terminal Repair Kit
- | Release Tool/Test Probe: See Terminal Repair Kit

Dome/Reading Lamps - Rear

Pin	Wire Color	Circuit No.	Function
1	0.5 BK/WH	851	Ground
2	0.5 D-BU/WH	149	Courtesy Lamp Supply Voltage
3-4	--	--	Not Used

Door Latch - Driver



Connector Part Information

- | OEM: 7283-6930-30
- | Service: See Catalog
- | Description: 10-Way F (BK)

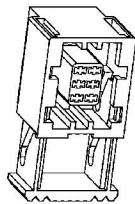
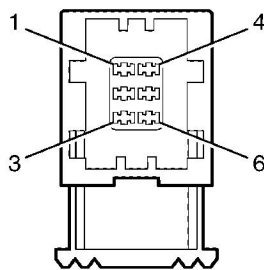
Terminal Part Information

- | Pins: 2, 3
- | Terminal/Tray: 964274-2/16
- | Pins: 6, 8, 9
- | Terminal/Tray: 4-969005-1/16
- | Core/Insulation Crimp: E/1
- | Release Tool/Test Probe: J-38125-560/J-35616-33 (YE)

Door Latch - Driver

Pin	Wire Color	Circuit No.	Function
1	--	--	Not Used
2	0.75 BN/RD	294	Door Lock Actuator Unlock Control
3	0.75 GN/WH	295	Door Lock Actuator Lock Control
4	0.3 PK/BK	780	Driver Door Lock Switch Lock Signal
5	--	--	Not Used
6	0.3 BN/WH	746	Driver Door Ajar Switch Signal
7	--	--	Not Used
8	0.5 BK	2050	Ground
9	0.3 PK	781	Driver Door Lock Switch Unlock Signal
10	--	--	Not Used

Door Latch - Left Rear



Connector Part Information

- | OEM: 7283-6931-30
- | Service: 88986251
- | Description: 6-Way F Sealed (BK)

Terminal Part Information

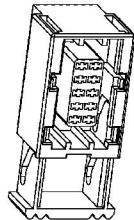
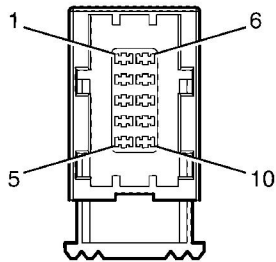
- | Pins: 2, 3
- | Terminal/Tray: 964274-2/16
- | Core/Insulation Crimp: E/1
- | Release Tool/Test Probe: J-38125-560/J-35616-33 (YE)

- | Pins: 4, 6
- | Terminal/Tray: 4-969005-1/16
- | Core/Insulation Crimp: E/1
- | Release Tool/Test Probe: J-38125-560/J-35616-33 (YE)

Door Latch - Left Rear

Pin	Wire Color	Circuit No.	Function
1	--	--	Not Used
2	0.75 BN/RD	294	Door Lock Actuator Unlock Control
3	0.75 GN/WH	295	Door Lock Actuator Lock Control
4	0.3 BN/WH	746	Passengers Door Ajar Switch Signal
5	--	--	Not Used
6	0.5 BK	2050	Ground

Door Latch - Passenger



Connector Part Information

- | OEM: 7283-6930-30
- | Service: See Catalog
- | Description: 10-Way F (BK)

Terminal Part Information

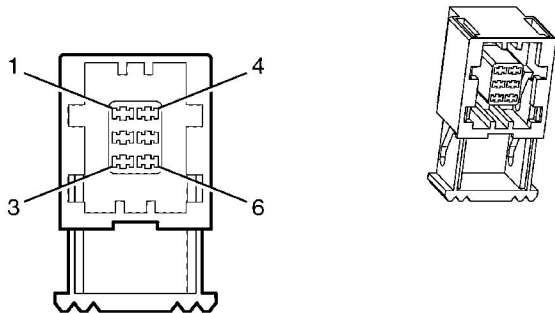
- | Pins: 7, 8
- | Terminal/Tray: 964274-2/16
- | Pins: 1, 3
- | Terminal/Tray: 4-969005-1/16

- | Core/Insulation Crimp: E/1
- | Release Tool/Test Probe: J-38125-560/J-35616-33 (YE)

Door Latch - Passenger

Pin	Wire Color	Circuit No.	Function
1	0.3 GY/BK	745	Passengers Door Ajar Switch Signal
2	--	--	Not Used
3	0.5 BK	1350	Ground
4	0.3 PK	781	Driver Door Lock Switch Unlock Signal
5-6	--	--	Not Used
7	0.75 BN/RD	694	Driver Door Lock Actuator Unlock Control
8	0.75 GN/WH	295	Door Lock Actuator Lock Control
9	0.3 PK/BK	780	Driver Door Lock Switch Lock Signal
10	--	--	Not Used

Door Latch - Right Rear



Connector Part Information

- | OEM: 7283-6931-30
- | Service: 88986251
- | Description: 6-Way F Sealed (BK)

Terminal Part Information

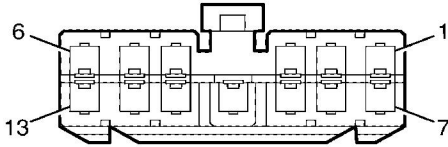
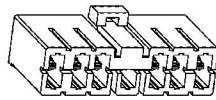
- | Pins: 5, 6
- | Terminal/Tray: 964274-2/16
- | Core/Insulation Crimp: E/1
- | Release Tool/Test Probe: J-38125-560/J-35616-33 (YE)

- | Pins: 1, 3
- | Terminal/Tray: 4-969005-1/16
- | Core/Insulation Crimp: E/1
- | Release Tool/Test Probe: J-38125-560/J-35616-33 (YE)

Door Latch - Right Rear

Pin	Wire Color	Circuit No.	Function
1	0.3 BN/WH	746	Passengers Door Ajar Switch Signal
2	--	--	Not Used
3	0.5 BK	1350	Ground
4	--	--	Not Used
5	0.75 BN/RD	294	Door Lock Actuator Unlock Control
6	0.75 GN/WH	295	Door Lock Actuator Lock Control

Door Lock/Window Switch X1



Connector Part Information

- | OEM: 7119-3130
- | Service: See Catalog
- | Description: 13-Way F (WH)

Terminal Part Information

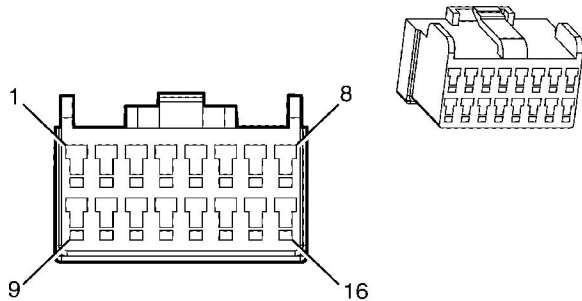
- | Terminal/Tray: 7116-1050/27
- | Core/Insulation Crimp: C/A
- | Release Tool/Test Probe: 12094430/J-35616-4A (PU)

Door Lock/Window Switch X1

Pin	Wire Color	Circuit No.	Function
1-6	--	--	Not Used
7	2 PU	169	Power Window Master Switch Left Rear Down Signal
8	2 D-GN	168	Power Window Master Switch Left Rear Up Signal
9	2 BK	2050	Ground
10	2 D-GN	1001	RAP [X] Fuse Supply Voltage
11	2 D-BU	1307	Power Window Master Switch Lockout Signal

12	2 PU/WH	171	Power Window Master Switch Right Rear Down Signal
13	2 L-GN	170	Power Window Master Switch Right Rear Up Signal

Door Lock/Window Switch X2



Connector Part Information

- | OEM: 7123-1765-30
- | Service: See Catalog
- | Description: 16-Way F (BK)

Terminal Part Information

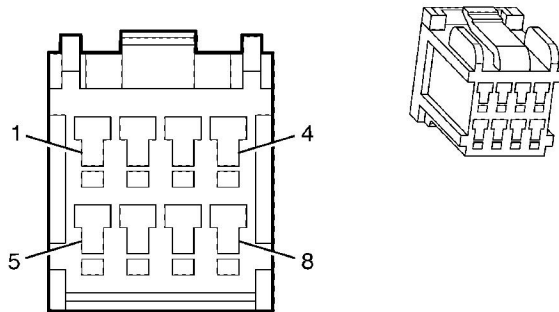
- | Terminal/Tray: 173681-2/17
- | Core/Insulation Crimp: E/4
- | Release Tool/Test Probe: 15315247/J-35616-16 (L-GN)

Door Lock/Window Switch X2

Pin	Wire Color	Circuit No.	Function
1	0.5 D-GN	1301	RAP [X] Fuse Supply Voltage
2	0.5 BN	1300	Power Window Master Switch Left Front Up Signal
3	0.5 GY/BU	1136	Power Window Master Switch Left Front Down Signal
4	0.5 BK	2050	Ground
5	0.5 BN/BK	254	Power Door Unlock Fuse Supply Voltage
6	0.5 WH/BK	81	Driver Mirror Motor Right Control
7	0.5 L-GN/BK	89	Driver Mirror Motor Down Control
8	0.5 WH/BU	7391	Power Window Switch Right and Up
9	0.5 L-BU	166	Power Window Master Switch Right Front Up Signal
10	0.5 GN/BK	167	Power Window Master Switch Right Front Down Signal
11	0.3 YE	6817	LED Backlight Diming Control
12	0.5 PU/WH	889	Passenger Mirror Motor Down Control
13	0.5 OG/WH	881	Passenger Mirror Motor Right Control

14	0.5 BK	2050	Ground
15	0.3 GY/BK	255	Power Door Lock Fuse Supply Voltage
16	0.5 BN/BU	343	Accessory Voltage

Driver Information Center (DIC) Display



- | OEM: 173681-x
- | Service: See Catalog
- | Description: 8-Way F (WH)

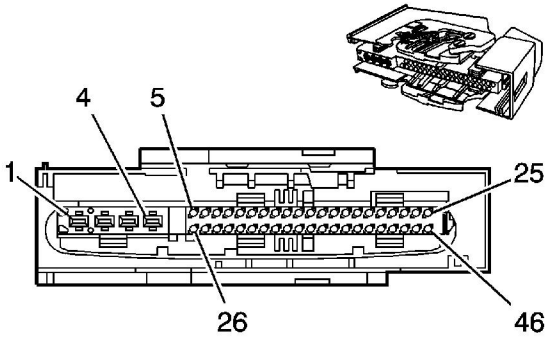
Terminal Part Information

- | Terminal/Tray: See Terminal Repair Kit
- | Core/Insulation Crimp: See Terminal Repair Kit
- | Release Tool/Test Probe: See Terminal Repair Kit

Driver Information Center (DIC) Display

Pin	Wire Color	Circuit No.	Function
1	0.35 D-GN	5060	Low Speed GMLAN Serial Data
2-3	--	--	Not Used
4	0.5 RD/WH	1840	Battery Positive Voltage
5-7	--	--	Not Used
8	0.3 BK	1450	Ground

Electronic Brake Control Module (EBCM)



Connector Part Information

- | OEM: 7229-2512-30
- | Service: See Catalog
- | Description: 46-Way F (BK)

Terminal Part Information

- | Pins: 1, 2
- | Terminal/Tray: 1-968859-3/7
- | Core/Insulation Crimp: A/3
- | Release Tool/Test Probe: 12093647/J-35616-4A (PU)

- | Pins: 3, 4
- | Terminal/Tray: 1-968857-3/7
- | Core/Insulation Crimp: C/1
- | Release Tool/Test Probe: 12093647/J-35616-4A (PU)

- | Pins: 5-10, 14-16, 18, 20, 25-27, 35, 37, 45
- | Terminal/Tray: 1928498014/17
- | Core/Insulation Crimp: N/N
- | Release Tool/Test Probe: J-38125-560/J-35616-64B (L-BU)

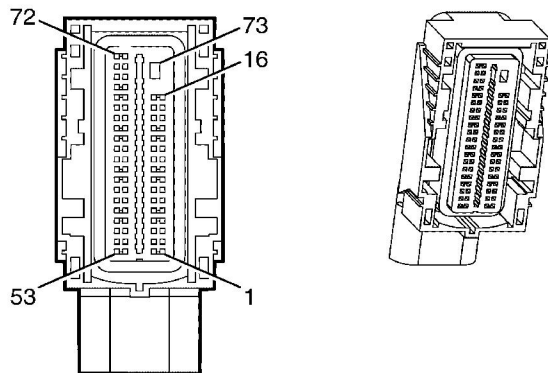
- | Pins: 28
- | Terminal/Tray: 1928498014/17
- | Core/Insulation Crimp: N/N
- | Release Tool/Test Probe: J-38125-560/J-35616-64B (L-BU)

Electronic Brake Control Module (EBCM)

Pin	Wire Color	Circuit No.	Function
1	3 BK	350	Ground
2	3 RD/BK	142	Battery Positive Voltage
3	2 OG	3540	Battery Positive Voltage
4	2 BK	350	Ground
5	0.5 L-BU	830	Left Front Wheel Speed Sensor Signal
6	0.5 GY	7127	Wheel Speed Sensor Supply Voltage Left Rear
7	0.5 GY	7128	Wheel Speed Sensor Supply Voltage Right Rear

8	0.5 BN	882	Right Rear Wheel Speed Sensor Signal
9	0.5 GY	7065	Wheel Speed Sensor Supply Voltage Right Front
10	0.5 D-GN	872	Wheel Speed Sensor Signal Right Front
11-13	--	--	Not Used
14	0.5 BN	9003	High Speed GMLAN Serial Data Bus- (LY7)
	0.5 BN	9005	High Speed GMLAN Serial Data Bus- (L76)
15	0.5 BK/BU	2088	Steering Wheel Position Sensor Low Reference
16	0.5 BN/WH	2086	Yaw Rate Sensor Test Control
17	--	--	Not Used
18	0.5 D-GN	2087	Steering Wheel Position Sensor 5-V Reference
19	--	--	Not Used
20	0.5 PU/WH	1699	Combined Vehicle Inertial Sensor Signal
21-24	--	--	Not Used
25	0.5 BN	9001	High Speed GMLAN Serial Data Bus- (LY7)
	0.5 BN	9003	High Speed GMLAN Serial Data Bus- (L76)
26	0.5 GY	7064	Wheel Speed Sensor Supply Voltage Left Front
27	0.5 BN/BK	884	Left Rear Wheel Speed Sensor Signal
28	0.75 L-BU	5986	Communication Enable Relay Supply Voltage
29-34	--	--	Not Used
35	0.5 BN/BK	9002	High Speed GMLAN Serial Data Bus+ (LY7)
	0.5 BN/BK	9004	High Speed GMLAN Serial Data Bus+ (L76)
36	--	--	Not Used
37	0.5 L-GN/BK	5352	Yaw Rate Sensor Test Control
38-44	--	--	Not Used
45	0.5 BN/BK	9000	High Speed GMLAN Serial Data Bus+ (LY7)
	0.5 BN/BK	9002	High Speed GMLAN Serial Data Bus+ (L76)
46	--	--	Not Used

Engine Control Module (ECM) (L76) X1





Connector Part Information

- | OEM: 7283-9139-30
- | Service: See Catalog
- | Description: 73-Way F

Terminal Part Information

- | Pins: 1-72
- | Terminal/Tray: See Terminal Repair Kit
- | Core/Insulation Crimp: See Terminal Repair Kit
- | Release Tool/Test Probe: See Terminal Repair Kit

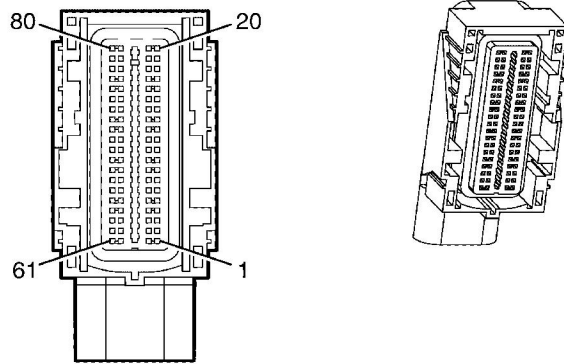
- | Pin: 73
- | Terminal/Tray: 7116-4152-02/9
- | Core/Insulation Crimp: 2/5
- | Release Tool/Test Probe: 12094430/J-35616-35 (VT)

Engine Control Module (ECM) (L76) X1

Pin	Wire Color	Circuit No.	Function
1	0.5 OG/BK	1786	Park/Neutral Signal
2-8	--	--	Not Used
9	0.5 WH/BU	17	Stop Lamp Switch Signal
10	0.5 PU/WH	1668	HO2S High Signal (Bank 1 Sensor 2)
11	0.5 BN/WH	1669	HO2S Low Signal (Bank 1 Sensor 2)
12	0.5 OG/BK	380	A/C Refrigerant Pressure Sensor Signal
13	0.5 BN/GN	2759	Low Reference
14-15	--	--	Not Used
16	0.5 PU	1589	Fuel Level Sensor Signal (Primary)
17	0.5 D-BU/BK	473	High Speed Cooling Fan Relay Control
18	0.5 D-BU	5985	Accessory Wakeup Serial Data
19	0.5 PK	439	Ignition 1 Voltage
20	0.75 OG/BK	540	Battery Positive Voltage
21	0.5 D-BU	1809	Brake Booster Vacuum Sensor
22	0.5 L-GN/BK	6258	5V Return Brake Booster Vacuum
23	0.5 PU	1272	Low Reference
24	0.5 D-GN	890	Fuel Tank Vapour Pressure
25-26	--	--	Not Used
27	0.5 BN	9001	High Speed GMLAN Serial Data Bus-
28	0.5 BN/BK	9000	High Speed GMLAN Serial Data Bus+
29	0.5 D-BU/WH	1161	APP Sensor 1 Signal
30	0.5 BN	1271	Low Reference
31	0.5 BN/YE	452	Low Reference

32	0.5 L-BU	1162	APP Sensor 2 Signal
33	0.5 GY	2709	5V reference
34	0.5 GY	1688	5-Volt Reference
35	--	--	Not Used
36	0.5 BN/YE	1274	5-Volt Reference
37	0.5 BN/RD	472	IAT Sensor Signal
38	0.5 BN/WH	2760	Low Reference
39-40	--	--	Not Used
41	0.5 YE	492	MAF Sensor Signal
42-46	--	--	Not Used
47	0.75 PK/BU	5290	Ignition 1 Voltage
48	--	--	Not Used
49	0.5 BN/WH	1671	HO2S Low Signal (Bank 2 Sensor 2)
50	0.5 D-GN/WH	465	Fuel Pump Relay Control (Primary)
51	--	--	Not Used
52	0.5 YE	447	Starter Relay Coil Control
53	0.5 L-GN	6257	5V reference
54-55	--	--	Not Used
56	0.5 WH/BK	1164	5-Volt Reference
57	--	--	Not Used
58	0.5 D-GN	335	Low Speed Cooling Fan Relay Control
59	0.5 BN	5069	Main Relay Control
60	--	--	Not Used
61	0.5 WH	1310	Fuel Tank Vent
62-63	--	--	Not Used
64	0.5 OG/WH	3223	HO2S Heater Low Control (Bank 2 Sensor 2)
65	0.5 BN	2391	HO2S Heater Low Control (Bank 1 Sensor 2)
66-67	--	--	Not Used
68	0.5 BN/WH	419	MIL Control
69	0.5 PU	1670	HO2S High Signal (Bank 2 Sensor 2)
70	0.5 L-BU	1937	Fuel Level Sensor Signal (Secondary)
71-72	--	--	Not Used
73	2 BK	450	Ground

Engine Control Module (ECM) (L76) X2



Connector Part Information

- | OEM: 7283-9623-40
- | Service: See Catalog
- | Description: 80-Way F

Terminal Part Information

- | Terminal/Tray: See Terminal Repair Kit
- | Core/Insulation Crimp: See Terminal Repair Kit
- | Release Tool/Test Probe: See Terminal Repair Kit

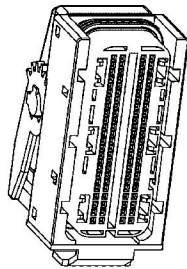
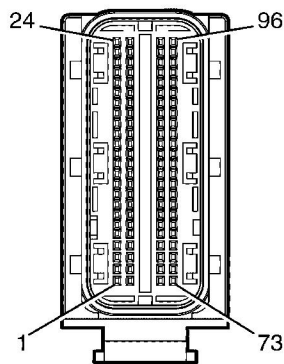
Engine Control Module (ECM) (L76) X2

Pin	Wire Color	Circuit No.	Function
1	--	--	Not Used
2	0.5 L-GN	1867	5-Volt Reference
3	0.5 GY	2701	5-Volt Reference
4	--	--	Not Used
5	0.75 BN	582	TAC Motor Control - 2
6	0.75 YE	581	TAC Motor Control - 1
7	--	--	Not Used
8	0.75 D-GN/WH	428	EVAP Canister Purge Solenoid Control
9	0.75 GY	5493	Cylinder Shut Off Solenoid 3
10	0.75 D-BU	5491	Cylinder Shut Off Solenoid 1
11	0.75 OG	5494	Cylinder Shut Off Solenoid 4
12	0.5 GY/WH	3113	HO2S Heater Low Control (Bank 1 Sensor 1)
13	0.5 L-GN	3212	HO2S Heater Low Control (Bank 2 Sensor 1)
14	0.75 D-GN/BK	5492	Cylinder Shut Off Solenoid 2
15-16	--	--	Not Used
17	0.75 D-BU/WH	878	Fuel Injector 8 Control
18	0.75 BN/WH	845	Fuel Injector 5 Control
19	0.75 YE/BK	846	Fuel Injector 6 Control
20	0.75 BN/BK	1744	Fuel Injector 1 Control

21	0.5 YE/GN	410	ECT Sensor Signal
22	0.5 BN/WH	2761	Low Reference
23	0.5 D-GN/YE	357	Oil Temperature Sensor Signal
24	0.5 BN/RD	470	Low Reference
25	--	--	Not Used
26	0.5 D-BU	496	Knock Sensor 1 Signal
27	0.5 GY	1716	Low Reference Knock Sensor Signal Return
28	--	--	Not Used
29	0.5 L-BU	1876	Knock Sensor 2 Signal
30	0.5 BN	407	Low Reference
31	--	--	Not Used
32	0.5 PU/WH	23	Generator Field Duty Cycle Signal
33	0.5 BN	1174	Oil Level Switch Signal
34	0.5 BK	2755	Low Reference
35	0.5 BN/BK	2752	Low Reference
36	--	--	Not Used
37	0.75 L-GN/BK	1745	Fuel Injector 2 Control
38	0.75 PK/BK	1746	Fuel Injector 3 Control
39	0.75 L-BU/BK	844	Fuel Injector 4 Control
40	0.75 OG/BK	877	Fuel Injector 7 Control
41	0.5 GY	2705	5-Volt Reference
42	--	--	Not Used
43	0.5 GY	2704	5-Volt Reference
44	0.5 OG	631	5-Volt Reference
45-49	--	--	Not Used
50	0.5 BN/WH	331	Oil Pressure Sensor Signal
51-52	--	--	Not Used
53	0.5 OG/BK	469	Low Reference
54-55	--	--	Not Used
56	0.5 BN/YE	1664	HO2S Low Signal (Bank 1 Sensor 1)
57	P0.5 U/WH	1665	HO2S High Signal (Bank 1 Sensor 1)
58	0.5 L-GN	432	MAP Sensor Signal
59	0.5 PU	1666	HO2S High Signal (Bank 2 Sensor 1)
60	0.5 BN/RD	1667	HO2S Low Signal (Bank 2 Sensor 1)
61	0.5 OG/WH	225	Generator Turn On Signal
62	--	--	Not Used
63	0.5 PU	486	TP Sensor 2 Signal
64	0.5 BN/WH	633	CMP Sensor Signal
65	0.5 D-GN	485	TP Sensor 1 Signal
66	0.5 PK/BK	632	Low Reference

67	--	--	Not Used
68	0.5 D-BU/WH	1869	CKP Sensor Signal
69	0.5 YE/BK	1868	Low Reference
70	0.5 PU	2121	IC 1 Control
71	0.5 PU/WH	2128	IC 8 Control
72	0.5 OG	2127	IC 7 Control
73	0.5 OG/WH	2122	IC 2 Control
74	0.5 L-BU/WH	2126	IC 6 Control
75	0.5 D-GN/RD	2125	IC 5 Control
76	0.5 D-GN/WH	2124	IC 4 Control
77	0.5 L-BU	2123	IC 3 Control
78	0.5 BN	2129	Low Reference
79	0.5 BN/WH	2130	Low Reference
80	--	--	Not Used

Engine Control Module (ECM) (LY7) X1



Connector Part Information

- | OEM: 7283-3389-30
- | Service: See Catalog
- | Description: 96-Way F (BK)

Terminal Part Information

- | Terminal/Tray: 1928498135/19
- | Core/Insulation Crimp: J/J
- | Release Tool/Test Probe: J-38125-213/J-35616-64B (L-BU)

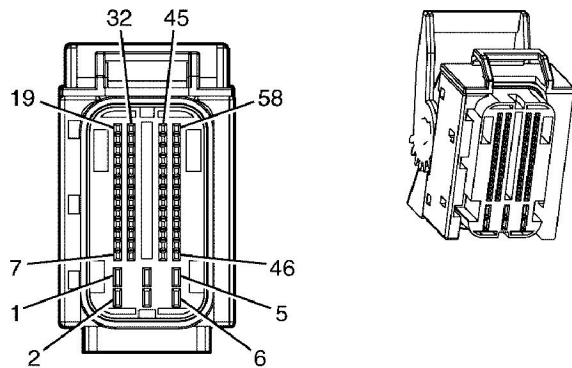
Engine Control Module (ECM) (LY7) X1

Pin	Wire Color	Circuit No.	Function
1	0.75 L-GN	5282	Cam Phaser Exhaust 1 Signal

2	0.75 PU	5284	Cam Phaser Intake 1 Signal
3	--	--	Not Used
4	0.75 YE/BK	846	Fuel Injector 6 Control
5	0.75 D-GN/WH	428	EVAP Canister Purge Solenoid Control
6	--	--	Not Used
7	0.5 OG/BU	5275	Intake 1 Cam Position Sensor Signal
8	--	--	Not Used
9	0.5 PU	5274	Exhaust 2 Cam Position Sensor Signal
10	0.5 OG/WH	225	Generator Turn On Signal
11	0.5 BN	1174	Oil Level Switch Signal
12	--	--	Not Used
13	0.5 PK	6414	Low Reference
14	0.75 BN	1997	EVAP Canister Vent Solenoid Valve Low Reference
15	0.75 GY	705	5-Volt Reference
16-23	--	--	Not Used
24	0.75 YE	581	TAC Motor Control - 1
25	0.75 WH/BK	5283	Cam Phaser Exhaust 2 Signal
26	0.75 PK/BK	1746	Fuel Injector 3 Control
27	--	--	Not Used
28	0.75 BN/WH	845	Fuel Injector 5 Control
29	--	--	Not Used
30	0.5 PU/WH	23	Generator Field Duty Cycle Signal
31-32	--	--	Not Used
33	0.5 YE/RD	5276	Intake 2 Cam Position Sensor Signal
34	0.5 D-GN	5273	Exhaust 1 Cam Position Sensor Signal
35	0.5 YE/BU	573	CKP Sensor 1 Signal
36-38	--	--	Not Used
39	0.5 GY	2701	5-Volt Reference
40	0.5 GY	596	5-Volt Reference
41	0.75 PK/BK	632	Low Reference
42	--	--	Not Used
43	0.5 BN/RD	470	Low Reference
44	0.5 BK	2755	Low Reference
45	0.5 PU/WH	605	5-Volt Reference
46	0.5 PU	574	Low Reference
47	--	--	Not Used
48	0.75 BN	582	TAC Motor Control - 2
49	0.75 OG/BK	5272	Cam Phaser Intake 2 Signal
50	0.75 L-BU/BK	844	Fuel Injector 4 Control
51	0.75 BN/BK	1744	Fuel Injector 1 Control

52	0.75 L-GN/BK	1745	Fuel Injector 2 Control
53-54	--	--	Not Used
55	0.5 PU	2121	IC 1 Control
56	0.5 L-BU	2123	IC 3 Control
57	0.5 D-GN/RD	2125	IC 5 Control
58	--	--	Not Used
59	0.5 D-BU	496	Knock Sensor 1 Signal
60	0.5 BN	407	Low Reference
61	0.5 BN/WH	331	Oil Pressure Sensor Signal
62-66	--	--	Not Used
67	0.5 BN/YE	1664	HO2S Low Signal (Bank 1 Sensor 1)
68-69	--	--	Not Used
70	0.5 PU	1666	HO2S High Signal (Bank 2 Sensor 1)
71	--	--	Not Used
72	0.75 L-GN	3212	HO2S Low Signal (Bank 2 Sensor 1)
73-77	--	--	Not Used
78	0.5 PU	6413	Low Reference
79	0.5 OG/WH	2122	IC 2 Control
80	0.5 D-GN/WH	2124	IC 4 Control
81	0.5 L-BU/WH	2126	IC 6 Control
82	0.5 YE/GN	410	ECT Sensor Signal
83	0.5 GY	1716	Low Reference
84	0.5 L-BU	1876	Knock Sensor 2 Signal
85	0.5 D-GN/YE	357	Oil Temperature Sensor Signal
86-87	--	--	Not Used
88	0.5 BN/BK	2752	Low Reference
89	0.5 PU	486	TP Sensor 2 Signal
90	0.5 D-GN	485	TP Sensor 1 Signal
91	--	--	Not Used
92	0.5 PU/WH	1665	HO2S High Signal (Bank 1 Sensor 1)
93	0.5 BN/RD	1667	HO2S Low Signal (Bank 2 Sensor 1)
94-95	--	--	Not Used
96	0.75 GY/WH	3113	HO2S Heater Low Control (Bank 1 Sensor 1)

Engine Control Module (ECM) (LY7) X2



Connector Part Information

- | OEM: 7283-3487-30
- | Service: See Catalog
- | Description: 58-Way F (BK)

Terminal Part Information

- | Pins: 1-6
- | Terminal/Tray: 1928498056/8
- | Core/Insulation Crimp: E/1
- | Release Tool/Test Probe: J-38125-561/J-35616-35 (VT)

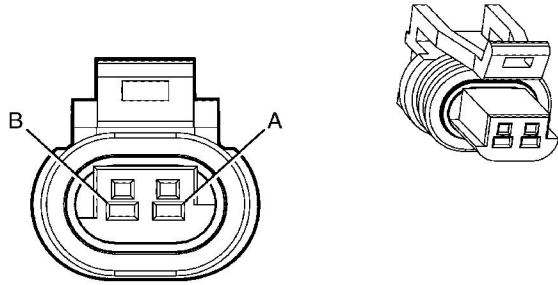
- | Pins: 7, 9-11, 13-15, 17, 19-27, 34-39, 41, 42, 45-52, 54-58
- | Terminal/Tray: 1928498135/19
- | Core/Insulation Crimp: J/J
- | Release Tool/Test Probe: J-38125-213/J-35616-64B (L-BU)

Engine Control Module (ECM) (LY7) X2

Pin	Wire Color	Circuit No.	Function
1	0.5 BK	450	Ground
2	0.5 BK	450	Ground
3	0.75 PK/BU	5290	Ignition 1 Voltage
4	0.5 BK	450	Ground
5	0.75 PK/BU	5290	Ignition 1 Voltage
6	0.75 PK/BU	5290	Ignition 1 Voltage
7	0.75 GY/WH	3122	HO2S Heater Low Control (Bank 1 Sensor 2)
8	--	--	Not Used
9	0.5 BN/YE	452	Low Reference
10	0.5 D-GN/WH	465	Fuel Pump Relay Control (Primary)
11	0.5 BN/GN	2759	Low Reference
12	--	--	Not Used
13	0.5 YE	492	MAF Sensor Signal
14	0.5 OG/BU	9709	5-Volt Reference

15	0.5 D-BU/WH	1161	APP Sensor 1 Signal
16	--	--	Not Used
17	0.5 OG/BK	1786	Park/Neutral Signal
18	--	--	Not Used
19	0.5 WH	1310	Fuel System Cannister Vent
20	0.75 OG/WH	3223	HO2S Heater Low Control (Bank 2 Sensor 2)
21	0.5 BN/WH	419	MIL Control
22	0.5 BN/WH	2760	Low Reference
23	0.5 BN/GN	3121	HO2S Low Signal (Bank 1 Sensor 2)
24	0.5 BN/RD	3221	HO2S Low Signal (Bank 2 Sensor 2)
25	0.5 L-BU	1162	APP Sensor 2 Signal
26	0.5 L-BU	1937	Fuel Level Sensor Signal (1)
27	0.5 D-GN	890	Fuel Pressure Signal
28-33	--	--	Not Used
34	0.5 BN	1271	Low Reference
35	0.5 GY	2709	5-Volt Reference
36	0.5 PU	1589	Fuel Level Sensor Signal (2)
37	--	--	Not Used
38	0.5 PU	3120	HO2S High Signal (Bank 1 Sensor 2)
39	0.5 OG/BK	380	A/C Refrigerant Pressure Sensor Signal
40	--	--	Not Used
41	0.5 D-BU	5985	Accessory Wakeup Serial Data
42	0.5 BN/BK	9000	High Speed GMLAN Serial Data Bus+
43-44	--	--	Not Used
45	0.5 D-BU/BK	473	High Speed Cooling Fan Relay Control
46	0.5 D-GN	335	Low Speed Cooling Fan Relay Control
47	0.5 PU	1272	Low Reference
48	0.5 BN/YE	1274	5-Volt Reference
49	0.5 WH/BK	1164	5-Volt Reference
50	0.5 BN/RD	472	IAT Sensor Signal
51	0.5 PU	3220	HO2S High Signal (Bank 2 Sensor 2)
52	0.5 WH/BU	17	Stop Lamp Switch Signal
53	--	--	Not Used
54	0.5 PK	439	Ignition 1 Voltage
55	0.5 BN	9001	High Speed GMLAN Serial Data Bus-
56	00.75 G/BK	540	Battery Positive Voltage
57	0.5 YE	447	Starter Relay Coil Control
58	0.5 BN	5069	Main Relay Control

Engine Coolant Temperature (ECT) Sensor (L76)



Connector Part Information

- | OEM: 7283-0370-30
- | Service: See Catalog
- | Description: 2-Way F

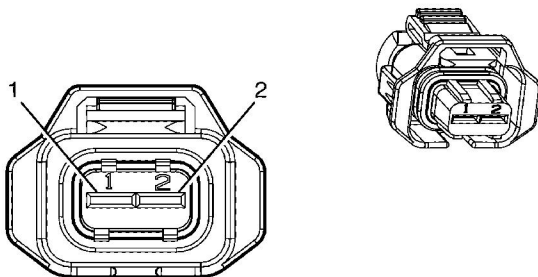
Terminal Part Information

- | Terminal/Tray: 15326267/19
- | Core/Insulation Crimp: E/4
- | Release Tool/Test Probe: 15315247/J-35616-2A (GY)

Engine Coolant Temperature (ECT) Sensor (L76)

Pin	Wire Color	Circuit No.	Function
A	0.5 BN/WH	2761	Low Reference
B	0.5 YE/GN	410	ECT Sensor Signal

Engine Coolant Temperature (ECT) Sensor (LY7)



Connector Part Information

- | OEM: 7283-6205-30
- | Service: See Catalog
- | Description: 2-Way F (BK)

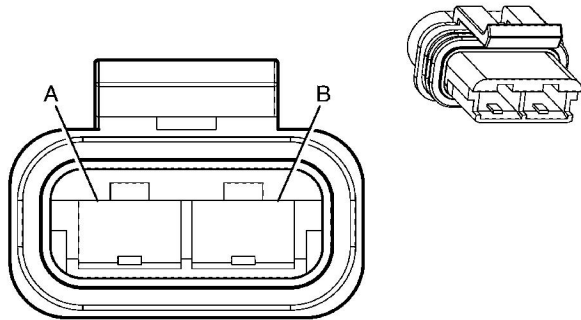
Terminal Part Information

- | Terminal/Tray: See Terminal Repair Kit
- | Core/Insulation Crimp: See Terminal Repair Kit
- | Release Tool/Test Probe: See Terminal Repair Kit

Engine Coolant Temperature (ECT) Sensor (LY7)

Pin	Wire Color	Circuit No.	Function
1	0.5 YE/GN	410	ECT Sensor Signal
2	0.5 BK	2755	Low Reference

Engine Cooling Fan - Left



Connector Part Information

- | OEM: 12020341
- | Service: See Catalog
- | Description: 2-Way F Metri-Pack 630 Series Sealed (BK)

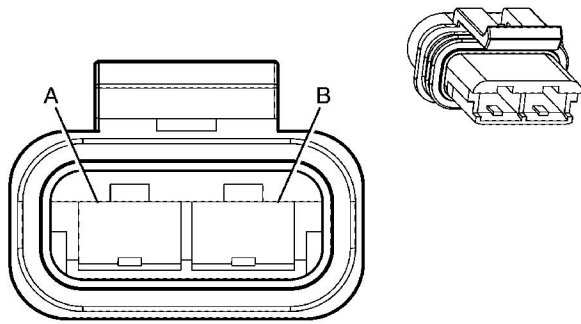
Terminal Part Information

- | Terminal/Tray: See Terminal Repair Kit
- | Core/Insulation Crimp: See Terminal Repair Kit
- | Release Tool/Test Probe: See Terminal Repair Kit

Engine Cooling Fan - Left

Pin	Wire Color	Circuit No.	Function
A	3 BK	250	Ground
B	3 D-BU	409	Left Cooling Fan Motor Supply Voltage

Engine Cooling Fan - Right



Connector Part Information

- | OEM: 12020341
- | Service: See Catalog
- | Description: 2-Way F Metri-Pack 630 Series Sealed (BK)

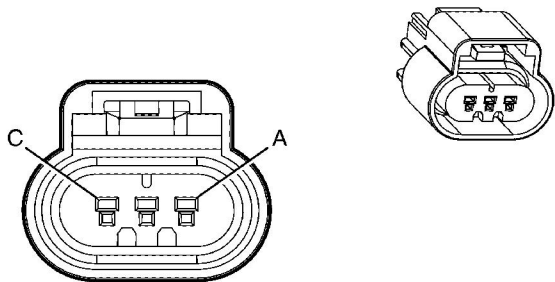
Terminal Part Information

- | Terminal/Tray: See Terminal Repair Kit
- | Core/Insulation Crimp: See Terminal Repair Kit
- | Release Tool/Test Probe: See Terminal Repair Kit

Engine Cooling Fan - Right

Pin	Wire Color	Circuit No.	Function
A	3 GY	532	Right Cooling Fan Motor Low Reference
B	3 WH	504	Right Cooling Fan Motor Supply Voltage

Engine Oil Level and Temperature Sensor



Connector Part Information

- | OEM: 7283-6579-30
- | Service: See Catalog
- | Description: 3-Way F (BK)

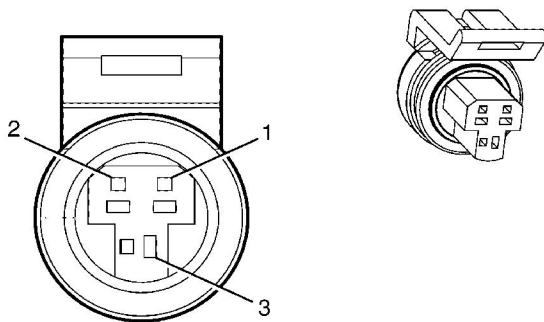
Terminal Part Information

- | Terminal/Tray: 12191819/8
- | Core/Insulation Crimp: E/A
- | Release Tool/Test Probe: 15315247/J-35616-2A (GY)

Engine Oil Level and Temperature Sensor

Pin	Wire Color	Circuit No.	Function
A	0.5 BN	1174	Oil Level Switch Signal
B	0.5 L-GN/YE	357	Oil Temperature Sensor Signal
C	0.5 BN/RD	470	Low Reference (L76)
	0.5 BK	2755	Low Reference (LY7)

Engine Oil Pressure (EOP) Sensor



Connector Part Information

- | OEM: 7283-2429
- | Service: See Catalog
- | Description: 3-Way F (BK)

Terminal Part Information

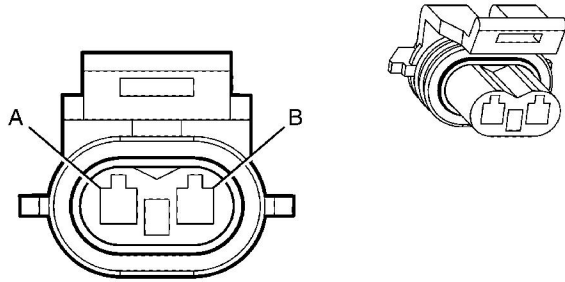
- | Terminal/Tray: 15326267/19
- | Core/Insulation Crimp: E/4
- | Release Tool/Test Probe: 15315247/J-35616-2A (GY)

Engine Oil Pressure (EOP) Sensor

Pin	Wire Color	Circuit No.	Function
1	0.5 BK	2755	Low Reference (L76)
	0.5 BN/RD	470	Low Reference (LY7)

2	0.5 GY	2705	5-Volt Reference (L76)
	0.5 GY	596	5-Volt Reference (LY7)
3	0.5 BN/WH	331	Oil Pressure Sensor Signal (L76)
	0.5 BN/WH	331	Oil Pressure Sensor Signal (LY7)

Evaporative Emission (EVAP) Canister Purge Solenoid Valve (L76)



Connector Part Information

- | OEM: 7223-9922-50
- | Service: 12101858
- | Description: 2-Way F

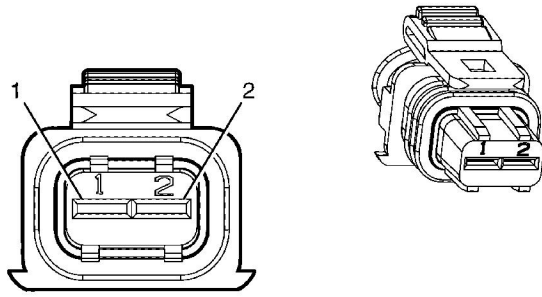
Terminal Part Information

- | Terminal/Tray: 12048074/2
- | Core/Insulation Crimp: E/1
- | Release Tool/Test Probe: 12094429/J-35616-14 (GN)

Evaporative Emission (EVAP) Canister Purge Solenoid Valve (L76)

Pin	Wire Color	Circuit No.	Function
A	0.75 PK/BU	5293	Ignition 1 Voltage
B	0.75 D-GN/WH	428	EVAP Canister Purge Solenoid Control

Evaporative Emission (EVAP) Canister Purge Solenoid Valve (LY7)



Connector Part Information

- | OEM: 7283-5483-30
- | Service: See Catalog
- | Description: 2-Way F (BK)

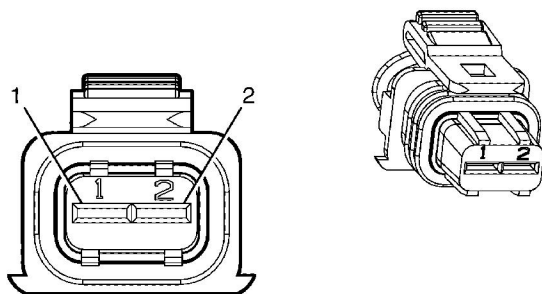
Terminal Part Information

- | Terminal/Tray: 1928498056/8
- | Core/Insulation Crimp: E/1
- | Release Tool/Test Probe: J-38125-561/J-35616-35 (VT)

Evaporative Emission (EVAP) Canister Purge Solenoid Valve (LY7)

Pin	Wire Color	Circuit No.	Function
1	0.75 PK/BU	5293	Ignition 1 Voltage
2	0.75 D-GN/WH	428	EVAP Canister Purge Solenoid Control

Evaporative Emission (EVAP) Canister Vent Solenoid Valve



Connector Part Information

- | OEM: 12052643

- | Service: 12101858
- | Description: 2-Way F Metri-Pack 150 Series Sealed (RD)

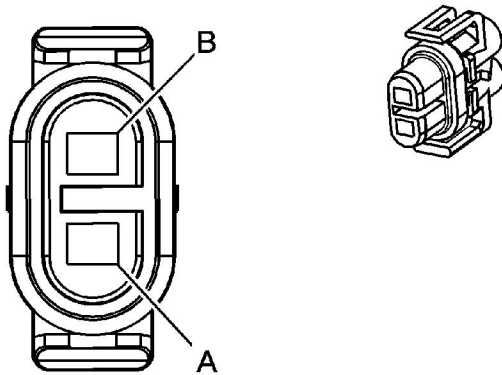
Terminal Part Information

- | Terminal/Tray: See Terminal Repair Kit
- | Core/Insulation Crimp: See Terminal Repair Kit
- | Release Tool/Test Probe: See Terminal Repair Kit

Evaporative Emission (EVAP) Canister Vent Solenoid Valve

Pin	Wire Color	Circuit No.	Function
A	0.5 OG	3140	Battery Positive Voltage
B	0.5 WH	1310	EVAP Canister Vent Solenoid Control

Fog Lamp - Left Front



Connector Part Information

- | OEM: 7223-9928-30
- | Service: See Catalog
- | Description: 2-Way F 150 Series (BK)

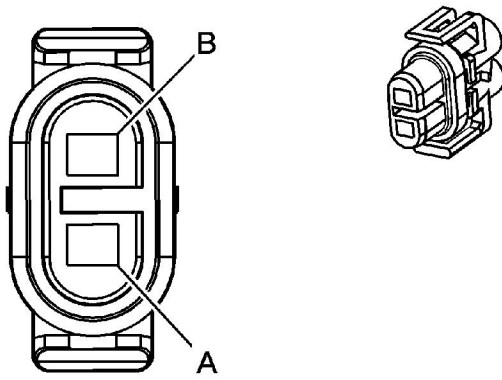
Terminal Part Information

- | Terminal/Tray: 12077411/2
- | Core/Insulation Crimp: 2/5
- | Release Tool/Test Probe: 12094430/J-35616-4A (PU)

Fog Lamp - Left Front

Pin	Wire Color	Circuit No.	Function
A	0.75 PU	34	Fog Lamps Supply Voltage
B	0.75 BK	350	Ground

Fog Lamp - Right Front



Connector Part Information

- | OEM: 7223-9928-30
- | Service: See Catalog
- | Description: 2-Way F 150 Series (BK)

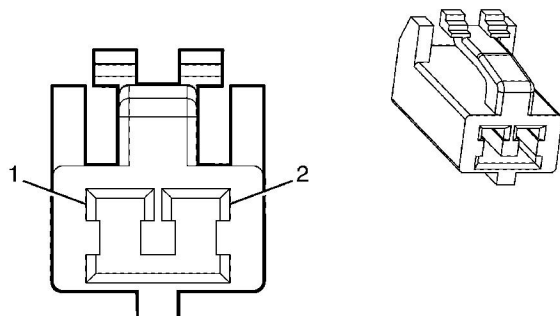
Terminal Part Information

- | Terminal/Tray: 12077411/2
- | Core/Insulation Crimp: 2/5
- | Release Tool/Test Probe: 12094430/J-35616-4A (PU)

Fog Lamp - Right Front

Pin	Wire Color	Circuit No.	Function
A	0.75 PU	34	Fog Lamps Supply Voltage
B	0.75 BK	350	Ground

Fuel Door Release Actuator



Connector Part Information

- | OEM: 7283-1020
- | Service: 88953305
- | Description: 2-Way F 2.3 Series (WH)

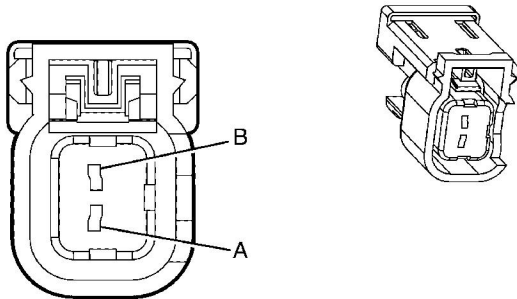
Terminal Part Information

- | Terminal/Tray: 7116-4021/11
- | Core/Insulation Crimp: 2/A
- | Release Tool/Test Probe: 15315247/J-35616-18 (BK)

Fuel Door Release Actuator

Pin	Wire Color	Circuit No.	Function
1	1.25 D-GN/WH	295	Door Lock Actuator Lock Control
2	1.25 BN/RD	694	Driver Door Lock Actuator Unlock Control

Fuel Injector 1 (LY7)



Connector Part Information

- | OEM: 1-0190667-3
- | Service: See Catalog
- | Description: 2-way F (GY)

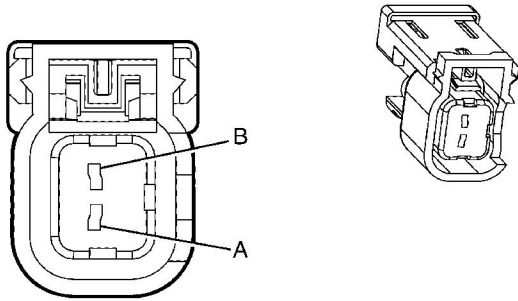
Terminal Part Information

- | Terminal/Tray: See Terminal Repair Kit
- | Core/Insulation Crimp: See Terminal Repair Kit
- | Release Tool/Test Probe: See Terminal Repair Kit

Fuel Injector 1 (LY7)

Pin	Wire Color	Circuit No.	Function
A	0.8 WH	5291	Ignition 1 Voltage
B	0.5 TN	1744	Fuel Injector 1 Control

Fuel Injector 1 (L76)



Connector Part Information

- | OEM: 7283-8756
- | Service: 15306318
- | Description: 2-way F

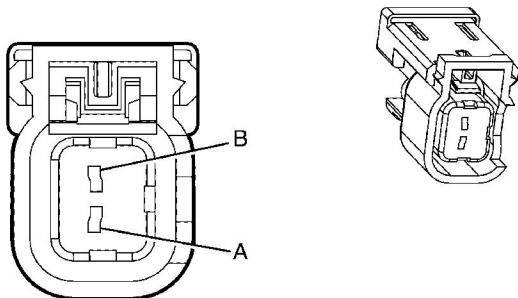
Terminal Part Information

- | Terminal/Tray: 12176636/19
- | Core/Insulation Crimp: C/1
- | Release Tool/Test Probe: 12094429/J-35616-14 (GN)

Fuel Injector 1 (L76)

Pin	Wire Color	Circuit No.	Function
A	0.75 PK/BU	5291	Ignition 1 Voltage
B	0.75 BN/BK	1744	Fuel Injector 1 Control

Fuel Injector 2 (LY7)



Connector Part Information

- | OEM: 1-0190667-3
- | Service: See Catalog
- | Description: 2-Way F (GY)

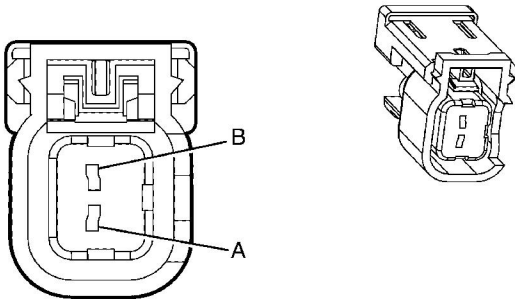
Terminal Part Information

- | Terminal/Tray: See Terminal Repair Kit
- | Core/Insulation Crimp: See Terminal Repair Kit
- | Release Tool/Test Probe: See Terminal Repair Kit

Fuel Injector 2 (LY7)

Pin	Wire Color	Circuit No.	Function
A	0.8 WH	5292	Ignition 1 Voltage
B	0.8 L-GN/BK	1745	Fuel Injector 2 Control

Fuel Injector 2 (L76)



Connector Part Information

- | OEM: 7283-8756
- | Service: 15306318
- | Description: 2-Way F

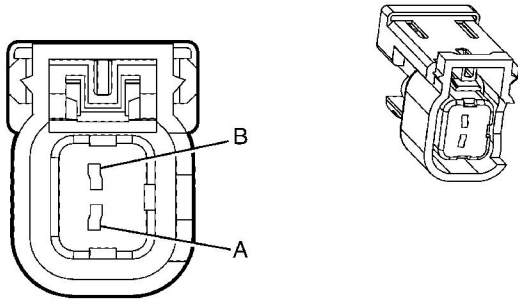
Terminal Part Information

- | Terminal/Tray: 12176636/19
- | Core/Insulation Crimp: C/1
- | Release Tool/Test Probe: 12094429/J-35616-14 (GN)

Fuel Injector 2 (L76)

Pin	Wire Color	Circuit No.	Function
A	0.75 PK	5292	Ignition 1 Voltage
B	0.75 L-GN/BK	1745	Fuel Injector 2 Control

Fuel Injector 3 (LY7)



Connector Part Information

- | OEM: 1-0190667-3
- | Service: See Catalog
- | Description: 2-Way F (GY)

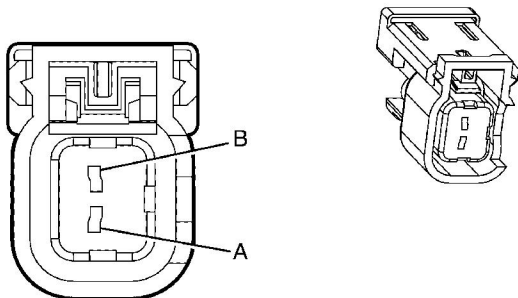
Terminal Part Information

- | Terminal/Tray: See Terminal Repair Kit
- | Core/Insulation Crimp: See Terminal Repair Kit
- | Release Tool/Test Probe: See Terminal Repair Kit

Fuel Injector 3 (LY7)

Pin	Wire Color	Circuit No.	Function
A	0.8 WH	5291	Ignition 1 Voltage
B	0.8 PK/BK	1746	Fuel Injector 3 Control

Fuel Injector 3 (L76)



Connector Part Information

- | OEM: 7283-8756
- | Service: 15306318
- | Description: 2-Way F

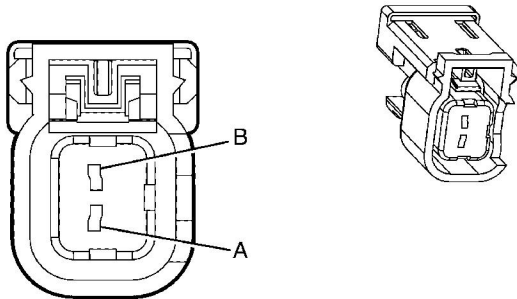
Terminal Part Information

- | Terminal/Tray: 12176636/19
- | Core/Insulation Crimp: C/1
- | Release Tool/Test Probe: 12094429/J-35616-14 (GN)

Fuel Injector 3 (L76)

Pin	Wire Color	Circuit No.	Function
A	0.75 PK/BU	5291	Ignition 1 Voltage
B	0.75 PK/BK	1746	Fuel Injector 3 Control

Fuel Injector 4 (LY7)



Connector Part Information

- | OEM: 1-0190667-3
- | Service: See Catalog
- | Description: 2-Way F (GY)

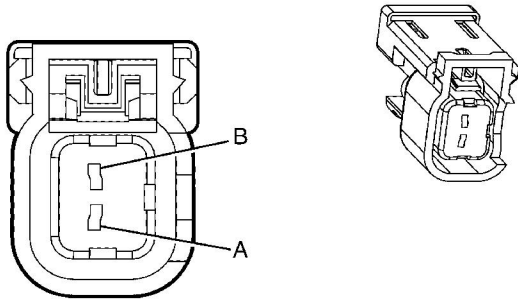
Terminal Part Information

- | Terminal/Tray: See Terminal Repair Kit
- | Core/Insulation Crimp: See Terminal Repair Kit
- | Release Tool/Test Probe: See Terminal Repair Kit

Fuel Injector 4 (LY7)

Pin	Wire Color	Circuit No.	Function
A	0.8 WH	5292	Ignition 1 Voltage
B	0.8 L-BU/BK	844	Fuel Injector 4 Control

Fuel Injector 4 (L76)



Connector Part Information

- | OEM: 7283-8756
- | Service: 15306318
- | Description: 2-Way F

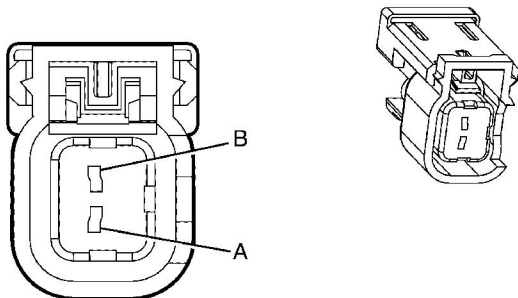
Terminal Part Information

- | Terminal/Tray: 12176636/19
- | Core/Insulation Crimp: C/1
- | Release Tool/Test Probe: 12094429/J-35616-14 (GN)

Fuel Injector 4 (L76)

Pin	Wire Color	Circuit No.	Function
A	0.75 PK	5292	Ignition 1 Voltage
B	0.75 L-BU/BK	844	Fuel Injector 4 Control

Fuel Injector 5 (LY7)



Connector Part Information

- | OEM: 1-0190667-3
- | Service: See Catalog
- | Description: 2-Way F (GY)

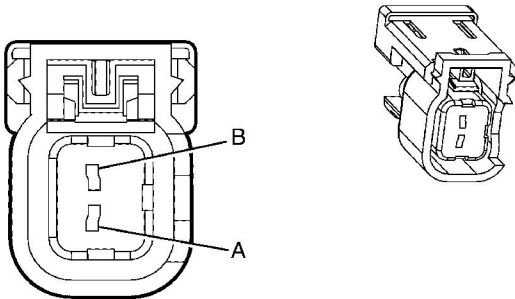
Terminal Part Information

- | Terminal/Tray: See Terminal Repair Kit
- | Core/Insulation Crimp: See Terminal Repair Kit
- | Release Tool/Test Probe: See Terminal Repair Kit

Fuel Injector 5 (LY7)

Pin	Wire Color	Circuit No.	Function
A	0.8 WH	5291	Ignition 1 Voltage
B	0.8 TN/WH	845	Fuel Injector 5 Control

Fuel Injector 5 (L76)



Connector Part Information

- | OEM: 7283-8756
- | Service: 15306318
- | Description: 2-Way F

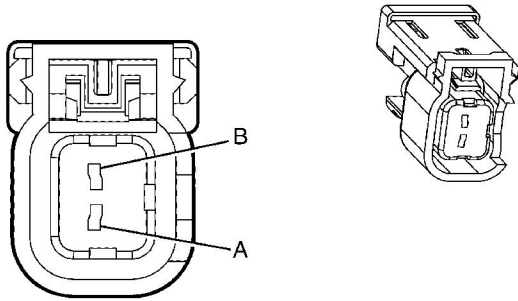
Terminal Part Information

- | Terminal/Tray: 12176636/19
- | Core/Insulation Crimp: C/1
- | Release Tool/Test Probe: 12094429/J-35616-14 (GN)

Fuel Injector 5 (L76)

Pin	Wire Color	Circuit No.	Function
A	0.75 PK/BU	5291	Ignition 1 Voltage
B	0.75 BN/WH	845	Fuel Injector 5 Control

Fuel Injector 6 (LY7)



Connector Part Information

- | OEM: 1-0190667-3
- | Service: See Catalog
- | Description: 2-Way F (GY)

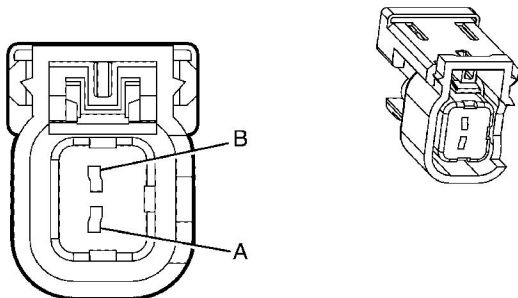
Terminal Part Information

- | Terminal/Tray: See Terminal Repair Kit
- | Core/Insulation Crimp: See Terminal Repair Kit
- | Release Tool/Test Probe: See Terminal Repair Kit

Fuel Injector 6 (LY7)

Pin	Wire Color	Circuit No.	Function
A	0.8 WH	5292	Ignition 1 Voltage
B	0.8 YE/BK	846	Fuel Injector 6 Control

Fuel Injector 6 (L76)



Connector Part Information

- | OEM: 7283-8756
- | Service: 15306318
- | Description: 2-Way F

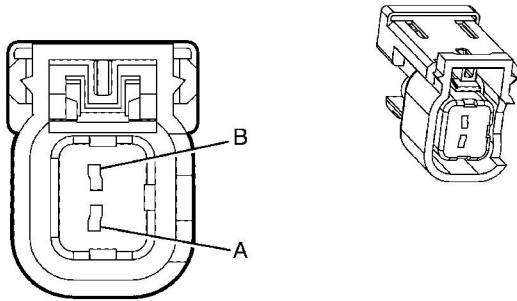
Terminal Part Information

- | Terminal/Tray: 12176636/19
- | Core/Insulation Crimp: C/1
- | Release Tool/Test Probe: 12094429/J-35616-14 (GN)

Fuel Injector 6 (L76)

Pin	Wire Color	Circuit No.	Function
A	0.75 PK	5292	Ignition 1 Voltage
B	0.75 YE/BK	846	Fuel Injector 6 Control

Fuel Injector 7 (L76)



Connector Part Information

- | OEM: 7283-8756
- | Service: 15306318
- | Description: 2-Way F

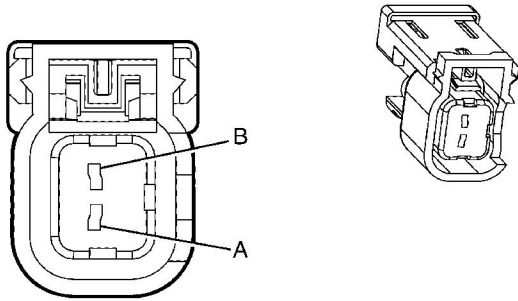
Terminal Part Information

- | Terminal/Tray: 12176636/19
- | Core/Insulation Crimp: C/1
- | Release Tool/Test Probe: 12094429/J-35616-14 (GN)

Fuel Injector 7 (L76)

Pin	Wire Color	Circuit No.	Function
A	0.75 PK/BU	5291	Ignition 1 Voltage
B	0.75 OG/BK	877	Fuel Injector 7 Control

Fuel Injector 8 (L76)



Connector Part Information

- | OEM: 7283-8756
- | Service: 15306318
- | Description: 2-Way F

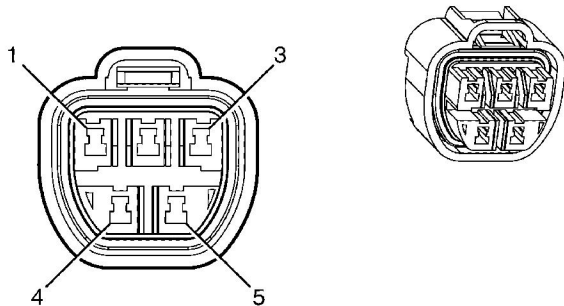
Terminal Part Information

- | Terminal/Tray: 12176636/19
- | Core/Insulation Crimp: C/1
- | Release Tool/Test Probe: 12094429/J-35616-14 (GN)

Fuel Injector 8 (L76)

Pin	Wire Color	Circuit No.	Function
A	0.75 PK	5292	Ignition 1 Voltage
B	0.75 D-BU/WH	878	Fuel Injector 8 Control

Fuel Level Sensor - Secondary



Connector Part Information

- | OEM: 7283-1156
- | Service: See Catalog
- | Description: 5-Way F

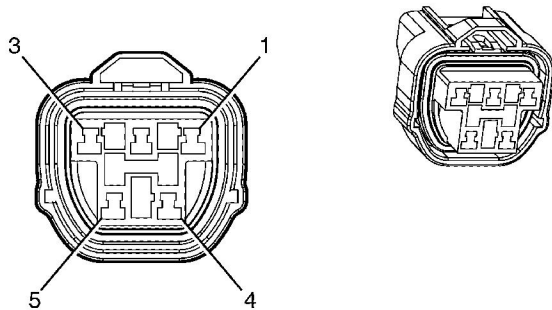
Terminal Part Information

- | Terminal/Tray: See Terminal Repair Kit
- | Core/Insulation Crimp: See Terminal Repair Kit
- | Release Tool/Test Probe: See Terminal Repair Kit

Fuel Level Sensor - Secondary

Pin	Wire Color	Circuit No.	Function
1	0.3 BN/YE	452	Fuel Return
2	0.5 L-BU	1937	Fuel Level
3-5	--	--	Not Used

Fuel Pump and Sender Assembly



Connector Part Information

- | OEM: 15326631
- | Service: 19152589
- | Description: 4-Way F GT 280 5.8 Series Sealed (BK)

Terminal Part Information

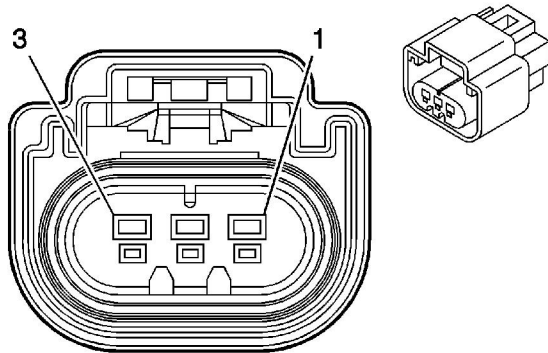
- | Terminal/Tray: See Terminal Repair Kit
- | Core/Insulation Crimp: See Terminal Repair Kit
- | Release Tool/Test Probe: See Terminal Repair Kit

Fuel Pump and Sender Assembly

Pin	Wire Color	Circuit No.	Function
1	2 GY	120	Fuel Pump Supply Voltage
2	0.5 PU	1589	Fuel Level Sensor Signal (Primary)
3	2 BK	1350	Ground

4	0.5 BN/YE	452	Low Reference
5	--	--	Not Used

Fuel Tank Pressure (FTP) Sensor



Connector Part Information

- | OEM: 13511996
- | Service: 19149288
- | Description: 3-Way F GT 150 Series Sealed (GY)

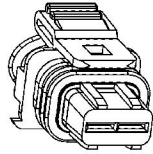
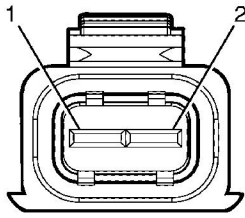
Terminal Part Information

- | Terminal/Tray: See Terminal Repair Kit
- | Core/Insulation Crimp: See Terminal Repair Kit
- | Release Tool/Test Probe: See Terminal Repair Kit

Fuel Tank Pressure (FTP) Sensor

Pin	Wire Color	Circuit No.	Function
A	0.5 D-GN	890	Fuel Tank Pressure Sensor Signal
B	0.5 BN/YE	452	Low Reference
C	0.5 GY	2709	5-Volt Reference

Generator X1 (L76)



Connector Part Information

- | OEM: 7283-5483-30
- | Service: See Catalog
- | Description: 2-Way F

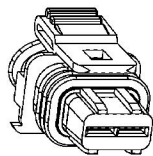
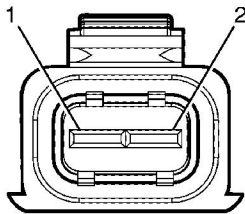
Terminal Part Information

- | Terminal/Tray: 1928498056/8
- | Core/Insulation Crimp: E/1
- | Release Tool/Test Probe: J-38125-561/J-35616-35 (VT)

Generator X1 (L76)

Pin	Wire Color	Circuit No.	Function
1	0.5 OG/WH	225	Generator Turn On Signal
2	0.5 PU/WH	23	Generator Field Duty Cycle Signal

Generator X1 (LY7)



Connector Part Information

- | OEM: 7183-5344-30

- | Service: See Catalog
- | Description: 2-Way F (BK)

Terminal Part Information

- | Terminal/Tray: 4-964286-1/16
- | Core/Insulation Crimp: E/1
- | Release Tool/Test Probe: 12093647/J-35616-4A (PU)

Generator X1 (LY7)

Pin	Wire Color	Circuit No.	Function
1	0.5 OG/WH	225	Generator Turn On Signal
2	0.5 PU/WH	23	Generator Field Duty Cycle Signal

Generator X2

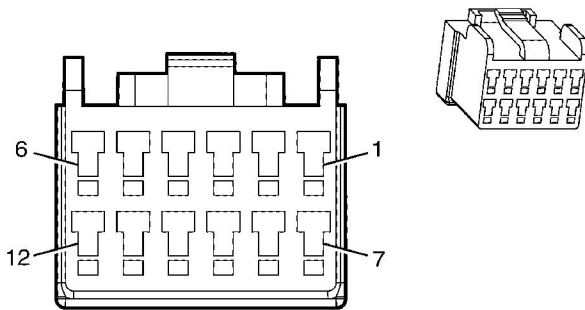
Terminal Part Information

- | Terminal: 7003-1190-02-DC
- | Core/Insulation Crimp: N/A
- | Description: Ring Terminal

Generator X2

Pin	Wire Color	Circuit No.	Function
+	19 RD	2	Battery Positive Voltage
	19 RD	2	Battery Positive Voltage

Headlamp and Panel Dimmer Switch



Connector Part Information

- | OEM: 7123-1725-30
- | Service: See Catalog
- | Description: 12-Way F (BK)

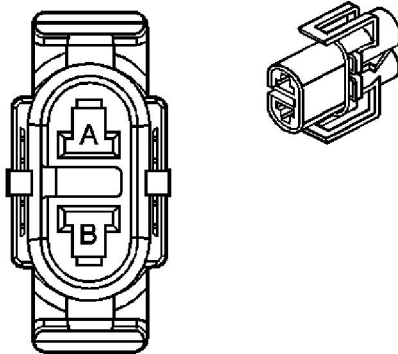
Terminal Part Information

- | Terminal/Tray: 173681-2/17
- | Core/Insulation Crimp: E/4
- | Release Tool/Test Probe: 15315247/J-35616-16 (L-GN)

Headlamp and Panel Dimmer Switch

Pin	Wire Color	Circuit No.	Function
1	0.3 WH	103	Headlamp Switch Headlamps On Signal
2	--	--	Not Used
3	0.3 D-GN	306	Headlamp Switch Headlamps Off Signal
4	0.3 BK	850	Ground
5	0.3 BN/WH	301	Park Lamp Switch On Signal
6	0.3 OG	192	Front Fog Lamp Switch Signal
7	0.3 GY/WH	7389	Headlamp Dimming Switch Down
8	0.3 YE	6817	Interior Lights Dimming Switch
9	--	--	Not Used
10	0.5 PK/BU	1339	Ignition 1 Voltage
11	--	--	Not Used
12	0.3 GY/BU	7388	Headlamp Dimming Switch Up

Headlamp - Left High Beam



Connector Part Information

- | OEM: 12124819
- | Service: See Catalog
- | Description: 2-Way F Metri-Pack 280 Series Sealed (BK)

Terminal Part Information

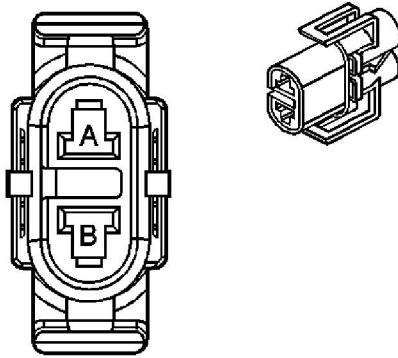
- | Terminal/Tray: See Terminal Repair Kit
- | Core/Insulation Crimp: See Terminal Repair Kit

- Release Tool/Test Probe: See Terminal Repair Kit

Headlamp - Left High Beam

Pin	Wire Color	Circuit No.	Function
1	0.5 GY	711	Left Headlamp High Beam Control
2	0.5 GY	150	Ground

Headlamp - Left Low Beam



Connector Part Information

- OEM: 15393198
- Service: See Catalog
- Description: 2-Way F Metri-Pack 280 Series Sealed (GY)

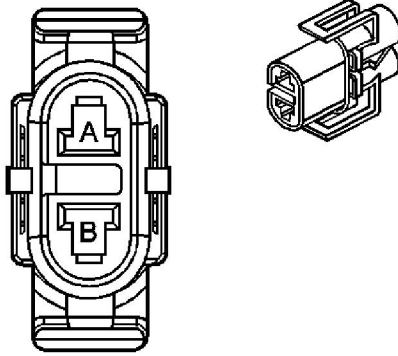
Terminal Part Information

- Terminal/Tray: See Terminal Repair Kit
- Core/Insulation Crimp: See Terminal Repair Kit
- Release Tool/Test Probe: See Terminal Repair Kit

Headlamp - Left Low Beam

Pin	Wire Color	Circuit No.	Function
1	0.5 BN	712	Left Headlamp Low Beam Control
2	0.5 BN	150	Ground

Headlamp - Right High Beam



Connector Part Information

- | OEM: 12124819
- | Service: See Catalog
- | Description: 2-Way F Metri-Pack 280 Series Sealed (BK)

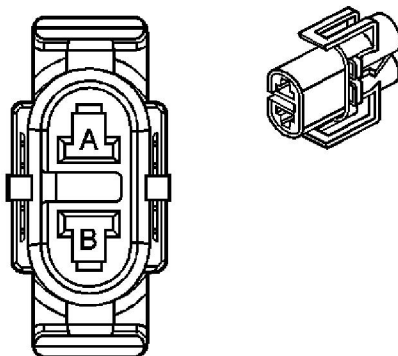
Terminal Part Information

- | Terminal/Tray: See Terminal Repair Kit
- | Core/Insulation Crimp: See Terminal Repair Kit
- | Release Tool/Test Probe: See Terminal Repair Kit

Headlamp - Right High Beam

Pin	Wire Color	Circuit No.	Function
1	0.5 GY	311	Right Headlamp High Beam Control
2	0.5 GY	150	Ground

Headlamp - Right Low Beam



Connector Part Information

- | OEM: 15393198

- | Service: See Catalog
- | Description: 2-Way F Metri-Pack 280 Series Sealed (GY)

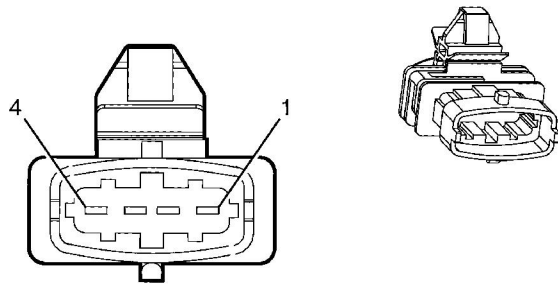
Terminal Part Information

- | Terminal/Tray: See Terminal Repair Kit
- | Core/Insulation Crimp: See Terminal Repair Kit
- | Release Tool/Test Probe: See Terminal Repair Kit

Headlamp - Right Low Beam

Pin	Wire Color	Circuit No.	Function
1	0.5 BN	312	Right Headlamp Low Beam Control
2	0.5 BN	150	Ground

Heated Oxygen Sensor (HO2S) Bank 1 Sensor 1 (LY7)



Connector Part Information

- | OEM: 7182-1999-40
- | Service: See Catalog
- | Description: 4-Way M (GY)

Terminal Part Information

- | Terminal/Tray: 1-962915-3/15
- | Core/Insulation Crimp: E/1
- | Release Tool/Test Probe: 12093647/J-35616-5 (PU)

Heated Oxygen Sensor (HO2S) Bank 1 Sensor 1 (LY7)

Pin	Wire Color	Circuit No.	Function
1	0.75 PK/BU	5293	Ignition 1 Voltage
2	0.75 GY/WH	3113	HO2S Low Signal (Bank 1 Sensor 1)
3	0.5 BN/YE	1664	HO2S Heater Low Control (Bank 1 Sensor 1)
4	0.5 PU/WH	1665	Ignition 1 Voltage

Heated Oxygen Sensor (HO2S) Bank 1 Sensor 1 (L76)

Connector Part Information

- | OEM: 7219-1744-40
- | Service: See Catalog
- | Description: 4-Way F

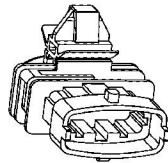
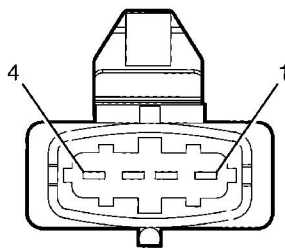
Terminal Part Information

- | Terminal/Tray: 12048074/2
- | Core/Insulation Crimp: E/1
- | Release Tool/Test Probe: 12094429/J-35616-14 (GN)

Heated Oxygen Sensor (HO2S) Bank 1 Sensor 1 (L76)

Pin	Wire Color	Circuit No.	Function
A	0.5 BN/YE	1664	HO2S Low Signal [- Bank 1 Sensor 1]
B	0.5 PU/WH	1665	HO2S High Signal [- Bank 1 Sensor 1]
C	0.5 GY/WH	3113	HO2S Heater Low Control [- Bank 1 Sensor 1]
D	0.8 PK/BU	5293	Ignition 1 Voltage

Heated Oxygen Sensor (HO2S) Bank 1 Sensor 2 (LY7)



Connector Part Information

- | OEM: 7182-8145-30
- | Service: 88952839
- | Description: 4-Way M (BK)

Terminal Part Information

- | Terminal/Tray: 1-962915-3/15
- | Core/Insulation Crimp: E/1
- | Release Tool/Test Probe: 12093647/J-35616-5 (PU)

Heated Oxygen Sensor (HO2S) Bank 1 Sensor 2 (LY7)

Pin	Wire Color	Circuit No.	Function
1	0.75 PK/BU	5294	Ignition 1 Voltage
2	0.75 GY/WH	3122	HO2S Heater Low Control (Bank 1 Sensor 2)
3	0.5 BN/GN	3121	HO2S Low Signal (Bank 1 Sensor 2)
4	0.5 PU	3120	HO2S High Signal (Bank 1 Sensor 2)

Heated Oxygen Sensor (HO2S) Bank 1 Sensor 2 (L76)**Connector Part Information**

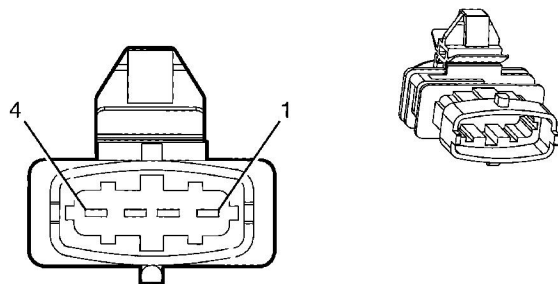
- | OEM: 7223-9845-30
- | Service: See Catalog
- | Description: 4-Way F

Terminal Part Information

- | Terminal/Tray: 12048074/2
- | Core/Insulation Crimp: E/1
- | Release Tool/Test Probe: 12094429/J-35616-14 (GN)

Heated Oxygen Sensor (HO2S) Bank 1 Sensor 2 (L76)

Pin	Wire Color	Circuit No.	Function
A	0.5 BN/WH	1669	HO2S Low Signal [- Bank 1 Sensor 2]
B	0.5 PU/WH	1668	HO2S High Signal [- Bank 1 Sensor 2]
C	0.5 BN	2391	HO2S Heater Low Control [- Bank 1 Sensor 2]
D	0.78 PK/BU	5294	Ignition 1 Voltage

Heated Oxygen Sensor (HO2S) Bank 2 Sensor 1 (LY7)**Connector Part Information**

- | OEM: 7182-1999-40

- | Service: See Catalog
- | Description: 4-Way M (GY)

Terminal Part Information

- | Terminal/Tray: 1-962915-3/15
- | Core/Insulation Crimp: E/1
- | Release Tool/Test Probe: 12093647/J-35616-5 (PU)

Heated Oxygen Sensor (HO2S) Bank 2 Sensor 1 (LY7)

Pin	Wire Color	Circuit No.	Function
1	0.75 PK/BU	5293	Ignition 1 Voltage
2	0.75 L-GN	3212	HO2S Heater Low Control [- Bank 2 Sensor 1]
3	0.5 BN/RD	1667	HO2S Low Signal [- Bank 2 Sensor 1]
4	0.5 PU	1666	HO2S High Signal [- Bank 2 Sensor 1]

Heated Oxygen Sensor (HO2S) Bank 2 Sensor 1 (L76)

Connector Part Information

- | OEM: 7219-1744-40
- | Service: See Catalog
- | Description: 4-Way F

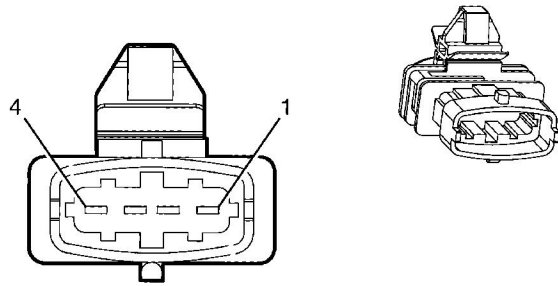
Terminal Part Information

- | Terminal/Tray: 12048074/2
- | Core/Insulation Crimp: E/1
- | Release Tool/Test Probe: 12094429/J-35616-14 (GN)

Heated Oxygen Sensor (HO2S) Bank 2 Sensor 1 (L76)

Pin	Wire Color	Circuit No.	Function
A	0.5 BN/RD	1667	HO2S Low Signal [- Bank 2 Sensor 1]
B	0.5 PU	1666	HO2S High Signal [- Bank 2 Sensor 1]
C	0.5 L-GN	3212	HO2S Heater Low Control [- Bank 2 Sensor 1]
D	0.8 PK/BU	5293	Ignition 1 Voltage

Heated Oxygen Sensor (HO2S) Bank 2 Sensor 2 (LY7)



Connector Part Information

- | OEM: 7182-8145-30
- | Service: See Catalog
- | Description: 4-Way M (GY)

Terminal Part Information

- | Terminal/Tray: 1-962915-3/15
- | Core/Insulation Crimp: E/1
- | Release Tool/Test Probe: 12093647/J-35616-5 (PU)

Heated Oxygen Sensor (HO2S) Bank 2 Sensor 2 (LY7)

Pin	Wire Color	Circuit No.	Function
1	0.75 PK/BU	5294	Battery 1 Voltage
2	0.75 OG/WH	3223	HO2S Heater Low Control (Bank 2 Sensor 2)
3	0.5 BN/RD	3221	HO2S Low Signal (Bank 2 Sensor 2)
4	0.5 PU	3220	HO2S High Signal (Bank 2 Sensor 2)

Heated Oxygen Sensor (HO2S) Bank 2 Sensor 2 (L76)

Connector Part Information

- | OEM: 7223-9845-30
- | Service: See Catalog
- | Description: 4-Way F

Terminal Part Information

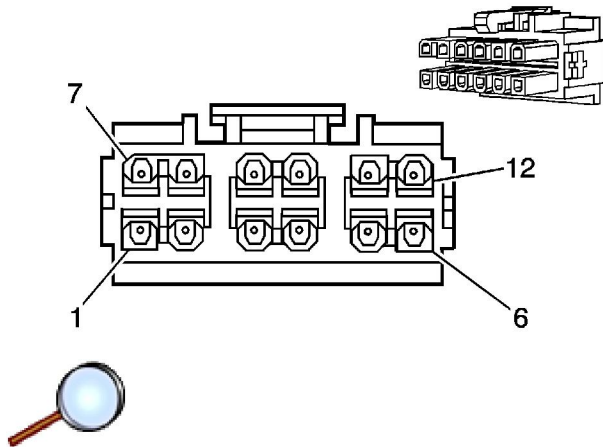
- | Terminal/Tray: 12048074/2
- | Core/Insulation Crimp: E/1
- | Release Tool/Test Probe: 12094429/J-35616-14 (GN)

Heated Oxygen Sensor (HO2S) Bank 2 Sensor 2 (L76)

Pin	Wire Color	Circuit No.	Function
A	0.5 BN/WH	1671	HO2S Low Signal [- Bank 2 Sensor 2]

B	0.5 PU	1670	HO2S High Signal [- Bank 2 Sensor 2]
C	0.5 OG/WH	3223	HO2S Heater Low Control (Bank 2 Sensor 2)
D	0.78 PK/BU	5294	Ignition 1 Voltage

Heated Seat Control Module - Driver (KA1)



Connector Part Information

- | OEM: 15-97-5121
- | Service: See Catalog
- | Description: 12-Way F Mini-Fit Series (BK)

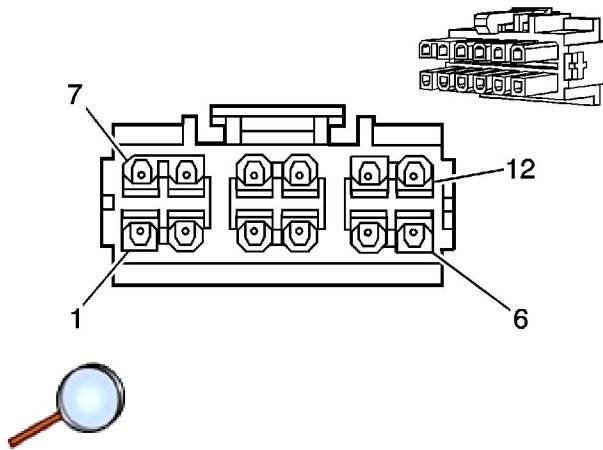
Terminal Part Information

- | Terminal/Tray: See Terminal Repair Kit
- | Core/Insulation Crimp: See Terminal Repair Kit
- | Release Tool/Test Probe: See Terminal Repair Kit

Heated Seat Control Module - Driver (KA1)

Pin	Wire Color	Circuit No.	Function
1	--	--	Not Used
2	0.5 RD/YE	2050	Low Reference
3	0.5 PK	1339	Ignition 1 Voltage
4	PU/GN	--	Low Reference
5	0.35 BN	1661	Driver Heated Seat High Temperature Indicator Control
6	0.35 OG/BK	6177	Passenger Heated Seat Intermediate Signal
7	--	--	Not Used
8	0.5 D-GN/RD	2077	Heated Seat Cushion Element Supply Voltage
9	0.35 PK/OG	1501	Driver Heated Seat High/Low Signal
10	--	--	Not Used
11	0.35 WH/YE	1662	Driver Heated Seat Low Temperature Indicator Control
12	0.35 WH/BK	2079	Heated Seat Cushion Temperature Sensor Signal

Heated Seat Control Module - Passenger (KA1)



Connector Part Information

- | OEM: 15-97-5121
- | Service: See Catalog
- | Description: 12-Way F Mini-Fit Series (BK)

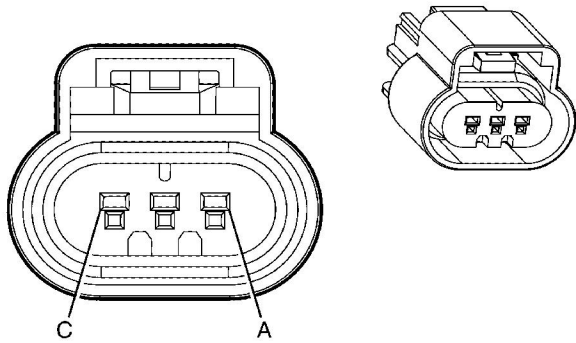
Terminal Part Information

- | Terminal/Tray: See Terminal Repair Kit
- | Core/Insulation Crimp: See Terminal Repair Kit
- | Release Tool/Test Probe: See Terminal Repair Kit

Heated Seat Control Module - Passenger (KA1)

Pin	Wire Color	Circuit No.	Function
1	--	--	Not Used
2	0.5 RD/YE	2050	Low Reference
3	0.5 PK	1339	Ignition 1 Voltage
4	PU/GN	--	Low Reference
5	0.35 BN	1661	Driver Heated Seat High Temperature Indicator Control
6	0.35 OG/BK	6177	Passenger Heated Seat Intermediate Signal
7	--	--	Not Used
8	0.5 D-GN/RD	2077	Heated Seat Cushion Element Supply Voltage
9	0.35 PK/OG	1501	Driver Heated Seat High/Low Signal
10	--	--	Not Used
11	0.35 WH/YE	1662	Driver Heated Seat Low Temperature Indicator Control
12	0.35 WH/BK	2079	Heated Seat Cushion Temperature Sensor Signal

Hood Ajar Switch



Connector Part Information

- | OEM: 7283-6579
- | Service: See Catalog
- | Description: 3-Way F (BK)

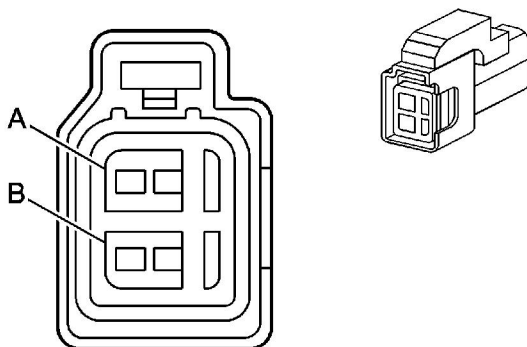
Terminal Part Information

- | Terminal/Tray: 12191819/8
- | Core/Insulation Crimp: E/A
- | Release Tool/Test Probe: 15315247/J-35616-2A (GY)

Hood Ajar Switch

Pin	Wire Color	Circuit No.	Function
A	0.3 PK/BK	109	Hood Ajar Switch Signal
B	0.3 PU	5531	Hood Closed Switch Signal
C	0.3 BK	250	Ground

Horn - Left



Connector Part Information

- | OEM: 7283-8034-30
- | Service: 88988054
- | Description: 2-Way F (BK)

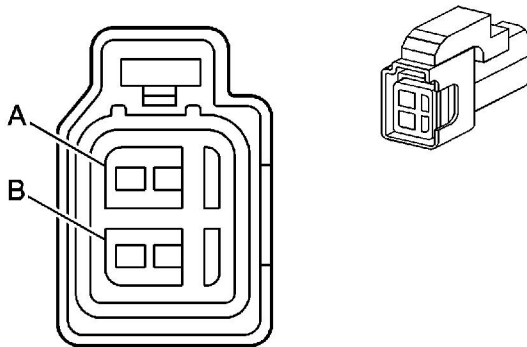
Terminal Part Information

- | Terminal/Tray: 7116-4103-08/9
- | Core/Insulation Crimp: E/1
- | Release Tool/Test Probe: 12094430/J-35616-2A (GY)

Horn - Left

Pin	Wire Color	Circuit No.	Function
A	0.75 D-GN	1329	Horn Fuse Supply Voltage
B	0.75 BK	250	Ground

Horn - Right



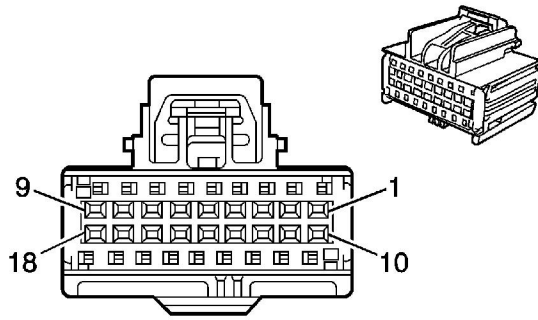
Connector Part Information

- | OEM: 7283-8034-30
- | Service: 88988054
- | Description: 2-Way F (BK)
- | Terminal/Tray: 7116-4103-08/9
- | Core/Insulation Crimp: E/1
- | Release Tool/Test Probe: 12094430/J-35616-2A (GY)

Horn - Right

Pin	Wire Color	Circuit No.	Function
A	0.75 D-GN	1329	Horn Fuse Supply Voltage
B	0.75 BK	250	Ground

HVAC Control Module X1



Connector Part Information

- | OEM: 7283-4544-30
- | Service: See Catalog
- | Description: 18-Way F (BK)

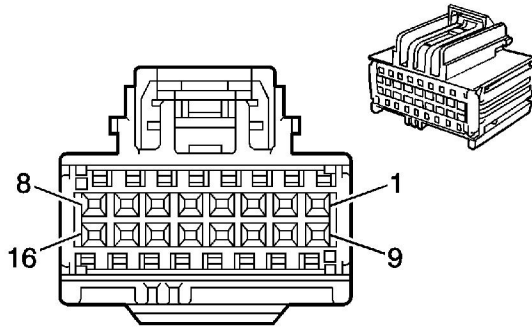
Terminal Part Information

- | Terminal/Tray: See Terminal Repair Kit
- | Core/Insulation Crimp: See Terminal Repair Kit
- | Release Tool/Test Probe: See Terminal Repair Kit

HVAC Control Module X1

Pin	Wire Color	Circuit No.	Function
1	0.3 L-GN/BK	735	Ambient Air Temperature Sensor Signal (CJ2)
2	0.3 D-GN	734	Inside Air Temperature Sensor Signal (CJ2)
3	0.3 WH/BU	193	Rear Defog Relay Control
4	0.3 YE	1649	Blower Motor Relay Supply Voltage
5	0.5 GY/BK	754	Blower Motor Speed Control
6	0.5 D-BU	7393	A/C Compressor Clutch Low Reference
7	0.5 D-GN	7392	A/C Compressor Clutch Supply Voltage
8	0.35 D-GN	9207	Low Speed GMLAN Serial Data
9	0.5 PK	1039	Ignition 1 Voltage
10	0.85 BK	850	Ground
11	0.3 BN	61	Low Reference (CJ2)
12	0.3 L-BU/BK	7425	Left Solar Sensor (CJ2)
13	0.3 GY	7424	Right Solar Sensor (CJ2)
14-17	--	--	Not Used
18	0.75 OG/GN	2240	Battery Positive Voltage

HVAC Control Module X2



Connector Part Information

- | OEM: 7283-9081
- | Service: See Catalog
- | Description: 16-Way F (WH)

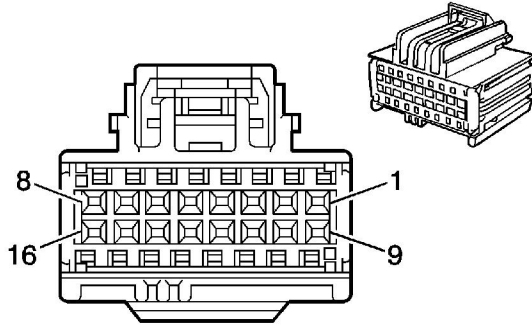
Terminal Part Information

- | Terminal/Tray: See Terminal Repair Kit
- | Core/Insulation Crimp: See Terminal Repair Kit
- | Release Tool/Test Probe: See Terminal Repair Kit

HVAC Control Module X2

Pin	Wire Color	Circuit No.	Function
1	0.5 YE	--	--
2	0.5 WH/OG	--	--
3	RD	--	--
4	0.5 WH	--	--
5	0.5 GY/OG	--	--
6	--	--	--
7	0.5 OG	--	--
8	0.5 D-BU	--	--
9	0.5 PK	--	--
10	0.5 YE/BK	--	--
11	0.5 WH/BU	--	--
12	0.5 PU	--	--
13	0.5 D-BU/WH	--	--
14	0.5 RD/WH	--	--
15	0.5 D-GN/YE	--	--
16	0.5 GY	--	--

HVAC Control Module X3 (CJ2)



Connector Part Information

- | OEM: 7283-9081
- | Service: See Catalog
- | Description: 16-Way F (WH)

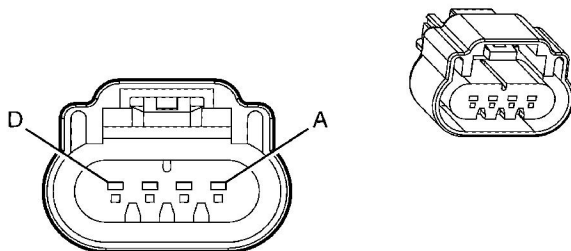
Terminal Part Information

- | Terminal/Tray: See Terminal Repair Kit
- | Core/Insulation Crimp: See Terminal Repair Kit
- | Release Tool/Test Probe: See Terminal Repair Kit

HVAC Control Module X3 (CJ2)

Pin	Wire Color	Circuit No.	Function
1	0.5 BU	2215	Auxiliary Mode Door Control
2	0.5 OG	454	Auxiliary Mode Door Control
3-6	--	--	Not Used
7	0.5 GY/RD	1814	Lower Mode Door Position Signal
8-16	--	--	Not Used

Ignition Coil 1 (LY7)





Connector Part Information

- | OEM: 7283-9394-30
- | Service: See Catalog
- | Description: 4-Way F (BK)

Terminal Part Information

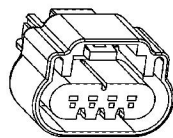
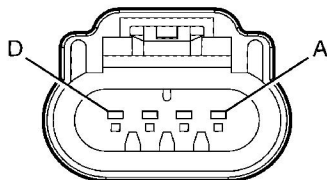
- | Pins: A, D
- | Terminal/Tray: 12191819/8
- | Core/Insulation Crimp: 2/A
- | Release Tool/Test Probe: 15315247/J-35616-2A (GY)

- | Pins: B, C
- | Terminal/Tray: 12191819/8
- | Core/Insulation Crimp: E/A
- | Release Tool/Test Probe: 15315247/J-35616-2A (GY)

Ignition Coil 1 (LY7)

Pin	Wire Color	Circuit No.	Function
A	0.75 BK	2550	Ground
B	0.5 PU	6413	Low Reference
C	0.5 PU	2121	IC 1 Control
D	0.75 PK/BU	5291	Ignition 1 Voltage

Ignition Coil 1 (L76)



Connector Part Information

- | OEM: 7283-9394-30
- | Service: See Catalog
- | Description: 4-Way F

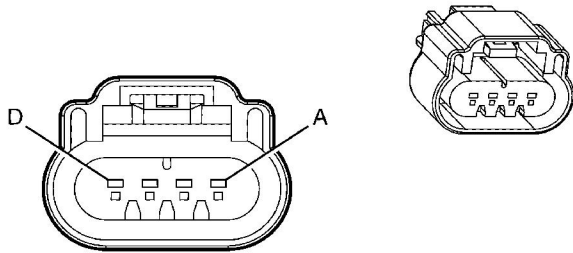
Terminal Part Information

- | Terminal/Tray: See Terminal Repair Kit
- | Core/Insulation Crimp: See Terminal Repair Kit
- | Release Tool/Test Probe: See Terminal Repair Kit

Ignition Coil 1 (L76)

Pin	Wire Color	Circuit No.	Function
A	0.8 BK	151	Ground
B	0.5 BN	2129	IC 1 Control
C	0.5 PU	2121	IC 1 Control
D	0.8 PK	39	Ignition 1 Voltage

Ignition Coil 2 (LY7)



Connector Part Information

- | OEM: 7283-9394-30
- | Service: See Catalog
- | Description: 4-Way F (BK)

Terminal Part Information

- | Pins: A, D
- | Terminal/Tray: 12191819/8
- | Core/Insulation Crimp: 2/A
- | Release Tool/Test Probe: 15315247/J-35616-2A (GY)

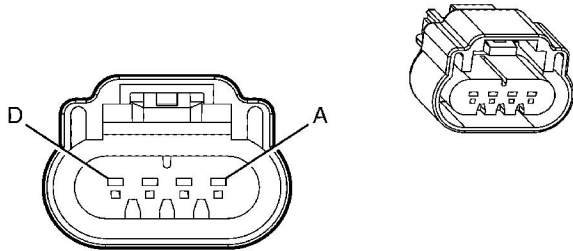
- | Pins: B, C
- | Terminal/Tray: 12191819/8
- | Core/Insulation Crimp: E/A
- | Release Tool/Test Probe: 15315247/J-35616-2A (GY)

Ignition Coil 2 (LY7)

Pin	Wire Color	Circuit No.	Function
-----	------------	-------------	----------

A	0.75 BK	2650	Ground
B	0.5 PK	6414	Low Reference
C	0.5 OG/WH	2122	IC 2 Control
D	0.75 PK	5292	Ignition 1 Voltage

Ignition Coil 2 (L76)



Connector Part Information

- | OEM: 7283-9394-30
- | Service: See Catalog
- | Description: 4-Way F

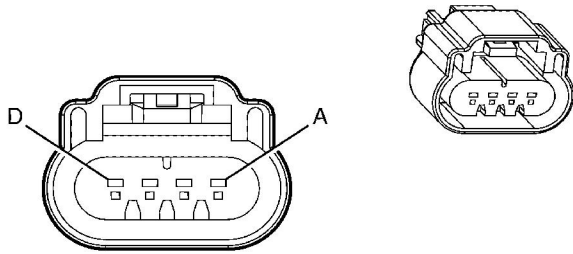
Terminal Part Information

- | Terminal/Tray: See Terminal Repair Kit
- | Core/Insulation Crimp: See Terminal Repair Kit
- | Release Tool/Test Probe: See Terminal Repair Kit

Ignition Coil 2 (L76)

Pin	Wire Color	Circuit No.	Function
A	0.8 BK	151	Ground
B	0.5 BN	2129	IC 2 Control
C	0.5 RD	2127	IC 2 Control
D	0.8 PK	39	Ignition 1 Voltage

Ignition Coil 3 (LY7)



Connector Part Information

- | OEM: 7283-9394-30
- | Service: See Catalog
- | Description: 4-Way F (BK)

Terminal Part Information

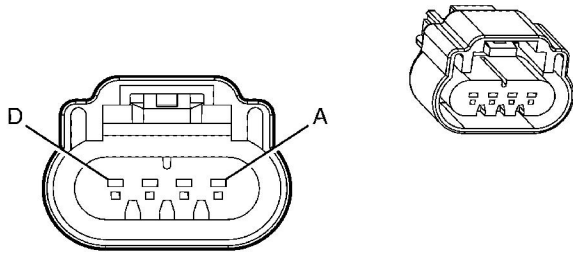
- | Pins: A, D
- | Terminal/Tray: 12191819/8
- | Core/Insulation Crimp: 2/A
- | Release Tool/Test Probe: 15315247/J-35616-2A (GY)

- | Pins: B, C
- | Terminal/Tray: 12191819/8
- | Core/Insulation Crimp: E/A
- | Release Tool/Test Probe: 15315247/J-35616-2A (GY)

Ignition Coil 3 (LY7)

Pin	Wire Color	Circuit No.	Function
A	0.75 BK	2550	Ground
B	0.5 PU	6413	Low Reference
C	0.5 L-BU	2123	IC 3 Control
D	0.75 PK/BU	5291	Ignition 1 Voltage

Ignition Coil 3 (L76)



Connector Part Information

- | OEM: 7283-9394-30
- | Service: See Catalog
- | Description: 4-Way F

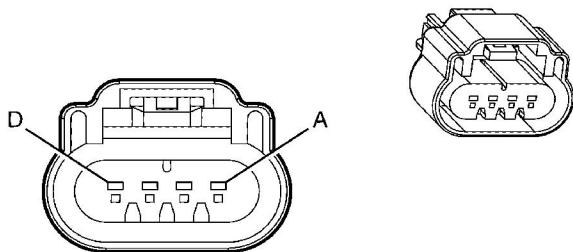
Terminal Part Information

- | Terminal/Tray: See Terminal Repair Kit
- | Core/Insulation Crimp: See Terminal Repair Kit
- | Release Tool/Test Probe: See Terminal Repair Kit

Ignition Coil 3 (L76)

Pin	Wire Color	Circuit No.	Function
A	0.8 BK	151	Ground
B	0.5 BN	2129	IC 3 Control
C	0.5 L-BU	2123	IC 3 Control
D	0.8 PK	39	Ignition 1Voltage

Ignition Coil 4 (LY7)



Connector Part Information

- | OEM: 7283-9394-30
- | Service: See Catalog
- | Description: 4-Way F (BK)

Terminal Part Information

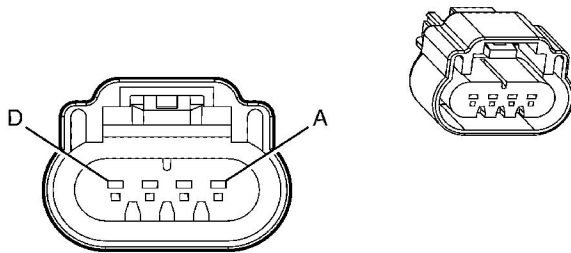
- | Pins: A, D
- | Terminal/Tray: 12191819/8
- | Core/Insulation Crimp: 2/A
- | Release Tool/Test Probe: 15315247/J-35616-2A (GY)

- | Pins: B, C
- | Terminal/Tray: 12191819/8
- | Core/Insulation Crimp: E/A
- | Release Tool/Test Probe: 15315247/J-35616-2A (GY)

Ignition Coil 4 (LY7)

Pin	Wire Color	Circuit No.	Function
A	0.75 BK	2650	Ground
B	0.5 PK	6414	Low Reference
C	0.5 D-GN/WH	2124	IC 4 Control
D	0.75 PK	5292	Ignition 1 Voltage

Ignition Coil 4 (L76)



Connector Part Information

- | OEM: 7283-9394-30
- | Service: See Catalog
- | Description: 4-Way F

Terminal Part Information

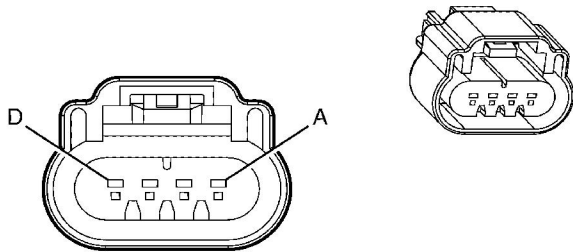
- | Terminal/Tray: See Terminal Repair Kit

- | Core/Insulation Crimp: See Terminal Repair Kit
- | Release Tool/Test Probe: See Terminal Repair Kit

Ignition Coil 4 (L76)

Pin	Wire Color	Circuit No.	Function
A	0.8 BK	151	Ground
B	0.5 BN	2129	IC 4 Control
C	0.5 D-GN	2125	IC 4 Control
D	0.8 PK	39	Ignition 1Voltage

Ignition Coil 5 (LY7)



Connector Part Information

- | OEM: 7283-9394-30
- | Service: See Catalog
- | Description: 4-Way F (BK)

Terminal Part Information

- | Pins: A, D
- | Terminal/Tray: 12191819/8
- | Core/Insulation Crimp: 2/A
- | Release Tool/Test Probe: 15315247/J-35616-2A (GY)

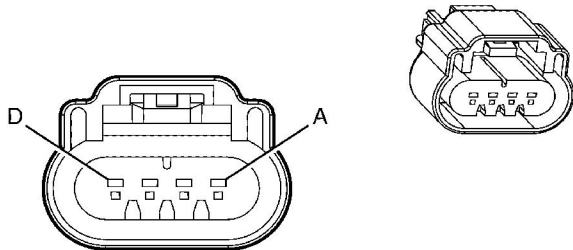
- | Pins: B, C
- | Terminal/Tray: 12191819/8
- | Core/Insulation Crimp: E/A
- | Release Tool/Test Probe: 15315247/J-35616-2A (GY)

Ignition Coil 5 (LY7)

Pin	Wire Color	Circuit No.	Function
A	0.75 BK	2550	Ground
B	0.5 PU	6413	Low Reference

C	0.5 D-GN/RD	2125	IC 5 Control
D	0.75 PK/BU	5291	Ignition 1 Voltage

Ignition Coil 5 (L76)



Connector Part Information

- | OEM: 7283-9394-30
- | Service: See Catalog
- | Description: 4-Way F

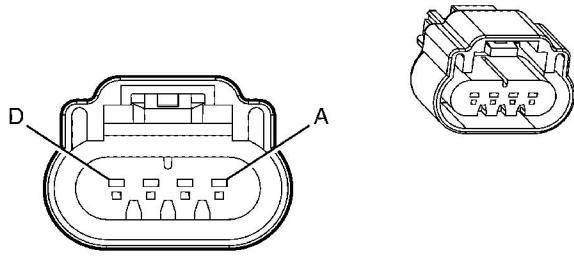
Terminal Part Information

- | Terminal/Tray: See Terminal Repair Kit
- | Core/Insulation Crimp: See Terminal Repair Kit
- | Release Tool/Test Probe: See Terminal Repair Kit

Ignition Coil 5 (L76)

Pin	Wire Color	Circuit No.	Function
A	0.8 BK	151	Ground
B	0.5 BN	2129	IC 5 Control
C	0.5 D-GN	2125	IC 5 Control
D	0.8 PK	39	Ignition 1Voltage

Ignition Coil 6 (LY7)



Connector Part Information

- | OEM: 7283-9394-30
- | Service: See Catalog
- | Description: 4-Way F (BK)

Terminal Part Information

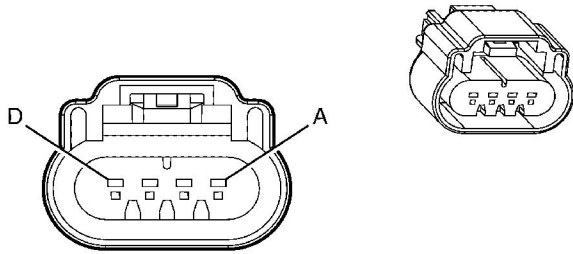
- | Pins: A, D
- | Terminal/Tray: 12191819/8
- | Core/Insulation Crimp: 2/A
- | Release Tool/Test Probe: 15315247/J-35616-2A (GY)

- | Pins: B, C
- | Terminal/Tray: 12191819/8
- | Core/Insulation Crimp: E/A
- | Release Tool/Test Probe: 15315247/J-35616-2A (GY)

Ignition Coil 6 (LY7)

Pin	Wire Color	Circuit No.	Function
A	0.75 BK	2650	Ground
B	0.5 PK	6414	Low Reference
C	0.5 L-BU/WH	2126	IC 6 Control
D	0.75 PK	5292	Ignition 1 Voltage

Ignition Coil 6 (L76)



Connector Part Information

- | OEM: 7283-9394-30
- | Service: See Catalog
- | Description: 4-Way F

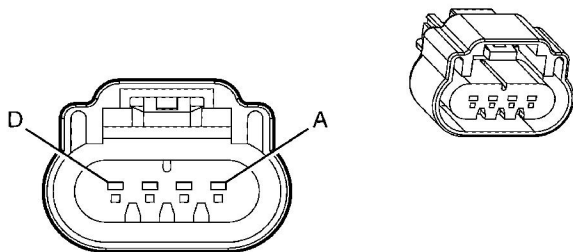
Terminal Part Information

- | Terminal/Tray: See Terminal Repair Kit
- | Core/Insulation Crimp: See Terminal Repair Kit
- | Release Tool/Test Probe: See Terminal Repair Kit

Ignition Coil 6 (L76)

Pin	Wire Color	Circuit No.	Function
A	0.8 BK	151	Ground
B	0.5 BN	2129	IC 6 Control
C	0.5 L-BU	2123	IC 6 Control
D	0.8 PK	39	Ignition 1Voltage

Ignition Coil 7 (L76)



Connector Part Information

- | OEM: 7283-9394-30
- | Service: See Catalog
- | Description: 4-Way F

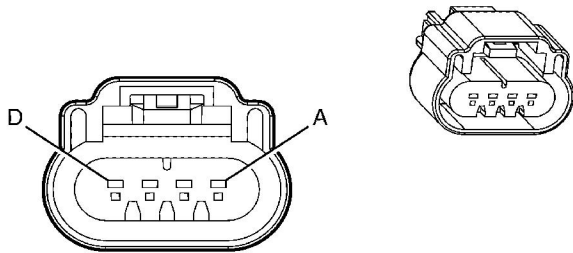
Terminal Part Information

- | Terminal/Tray: See Terminal Repair Kit
- | Core/Insulation Crimp: See Terminal Repair Kit
- | Release Tool/Test Probe: See Terminal Repair Kit

Ignition Coil 7 (L76)

Pin	Wire Color	Circuit No.	Function
A	0.8 BK	151	Ground
B	0.5 BN	2129	IC 7 Control
C	0.5 RD	2127	IC 7 Control
D	0.8 PK	39	Ignition 1Voltage

Ignition Coil 8 (L76)



Connector Part Information

- | OEM: 7283-9394-30
- | Service: See Catalog
- | Description: 4-Way F

Terminal Part Information

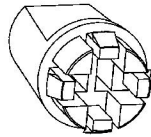
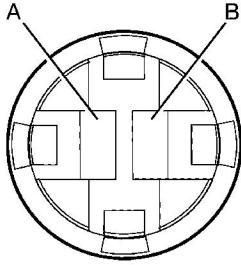
- | Terminal/Tray: See Terminal Repair Kit
- | Core/Insulation Crimp: See Terminal Repair Kit
- | Release Tool/Test Probe: See Terminal Repair Kit

Ignition Coil 8 (L76)

Pin	Wire Color	Circuit No.	Function

A	0.8 BK	151	Ground
B	0.5 BN	2129	IC 8 Control
C	0.5 PU	2121	IC 8 Control
D	0.8 PK	39	Ignition 1 Voltage

Ignition Key Cylinder Lamp



Connector Part Information

- | OEM: 7141-5191-30
- | Service: See Catalog
- | Description: 2-Way F (BK)

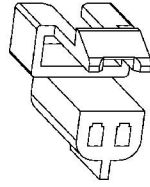
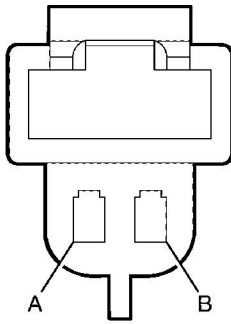
Terminal Part Information

- | Terminal/Tray: See Terminal Repair Kit
- | Core/Insulation Crimp: See Terminal Repair Kit
- | Release Tool/Test Probe: See Terminal Repair Kit

Ignition Key Cylinder Lamp

Pin	Wire Color	Circuit No.	Function
A	0.5 D-BU/WH	149	Courtesy Lamp Supply Voltage
B	0.5 BK	850	Ground

Ignition Lock Cylinder Control Solenoid



- | OEM: 7123-9722-30
- | Service: 12101825
- | Description: 2-Way F (BK)

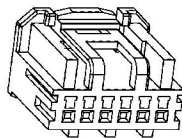
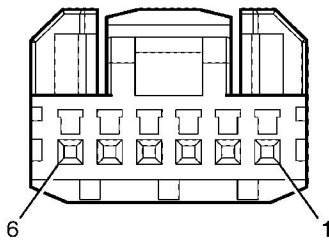
Terminal Part Information

- | Terminal/Tray: 12064971/5
- | Core/Insulation Crimp: E/C
- | Release Tool/Test Probe: 12094429/J-35616-14 (GN)

Ignition Lock Cylinder Control Solenoid

Pin	Wire Color	Circuit No.	Function
A	0.5 BN	443	Accessory Voltage
B	0.3 PU/WH	1630	Steering Column Key Cylinder Lock Solenoid Control

Ignition Switch



Connector Part Information

- | OEM: 7283-9467-30
- | Service: See Catalog
- | Description: 6-Way F (BK)

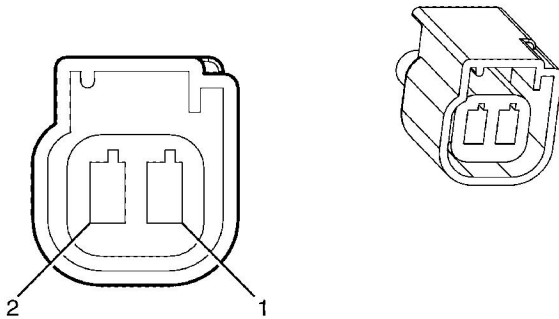
Terminal Part Information

- | Terminal/Tray: SHCM-A03T-P025/20
- | Core/Insulation Crimp: J/J
- | Release Tool/Test Probe: 12094429/J-35616-64B (L-BU)

Ignition Switch

Pin	Wire Color	Circuit No.	Function
1	0.3 PK	3	Run/Crank Voltage
2	0.5 OG/BK	1040	Battery Positive Voltage
3	0.3 BN	4	Ignition 1 Voltage
4	0.3 WH	1390	Ignition Key Resistor Low Reference
5	--	--	Not Used
6	0.3 WH/BK	1073	Ignition Key Resistor Signal

Inflatable Restraint Front End Sensor - Left



Connector Part Information

- | OEM: 7283-6291-30
- | Service: See Catalog
- | Description: 2-Way F (BK)

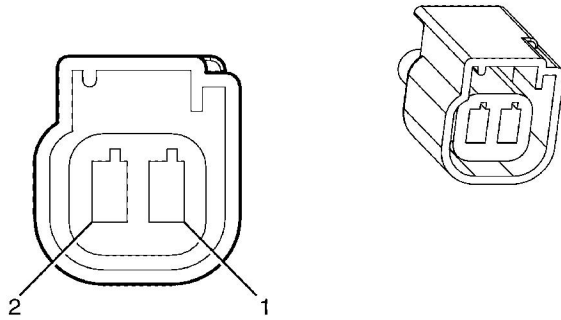
Terminal Part Information

- | Terminal/Tray: 7116-4102-08/9
- | Core/Insulation Crimp: E/1
- | Release Tool/Test Probe: 12094430/J-35616-2A (GY)

Inflatable Restraint Front End Sensor - Left

Pin	Wire Color	Circuit No.	Function
1	0.3 YE	354	Discriminating Sensor - Signal
2	0.3 BN/YE	5045	Discriminating Sensor - Low Reference

Inflatable Restraint Front End Sensor - Right



Connector Part Information

- | OEM: 7283-6291-30
- | Service: See Catalog
- | Description: 2-Way F (BK)

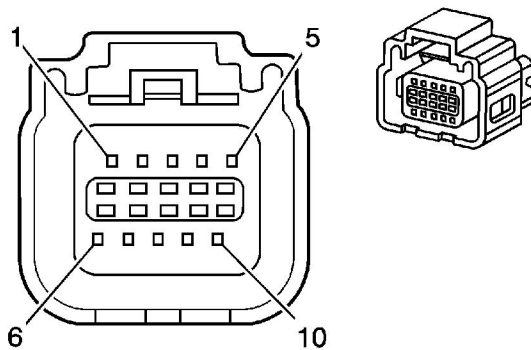
Terminal Part Information

- | Terminal/Tray: 7116-4102-08/9
- | Core/Insulation Crimp: E/1
- | Release Tool/Test Probe: 12094430/J-35616-2A (GY)

Inflatable Restraint Front End Sensor - Right

Pin	Wire Color	Circuit No.	Function
1	0.3 D-GN	1409	Discriminating Sensor - Right Signal
2	0.3 GY	5600	Discriminating Sensor - Low Reference

Inflatable Restraint Front Passenger Presence System (PPS) Module X1





Connector Part Information

- | OEM: 28032115
- | Service: See Catalog
- | Description: 10-Way F (BK)

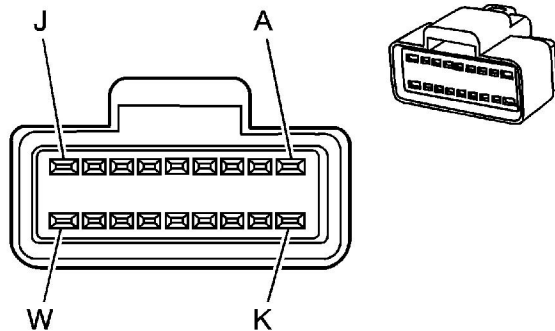
Terminal Part Information

- | Terminal/Tray: See Terminal Repair Kit
- | Core/Insulation Crimp: See Terminal Repair Kit
- | Release Tool/Test Probe: See Terminal Repair Kit

Inflatable Restraint Front Passenger Presence System (PPS) Module X1

Pin	Wire Color	Circuit No.	Function
1	0.35 WH/PK	3940	PPS Supply Voltage
2	0.5 BK/WH	1751	Ground
3	--	--	Not Used
4	0.35 D-GN/RD	5060	Low Speed GMLAN Serial Data
5-10	--	--	Not Used

Inflatable Restraint Front Passenger Presence System (PPS) Module X2



Connector Part Information

- | OEM: 15326082
- | Service: Serviced as part of an assembly
- | Description: 18-Way F (BK)

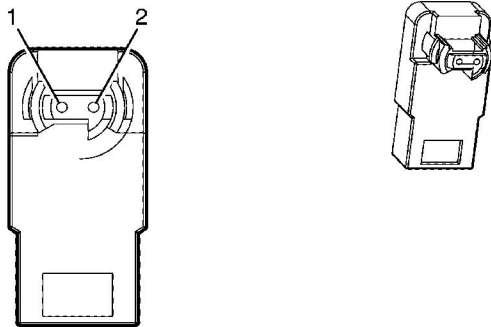
Terminal Part Information

- | Terminal/Tray: See Terminal Repair Kit
- | Core/Insulation Crimp: See Terminal Repair Kit
- | Release Tool/Test Probe: See Terminal Repair Kit

Inflatable Restraint Front Passenger Presence System (PPS) Module X2

Pin	Wire Color	Circuit No.	Function
1	CLR	--	--
2	CLR	--	--
3	CLR	--	--
4	CLR	--	--
5	CLR	--	--

Inflatable Restraint I/P Module X1



Connector Part Information

- | OEM: 7335-4222
- | Service: See Catalog
- | Description: 2-Way M (YE)

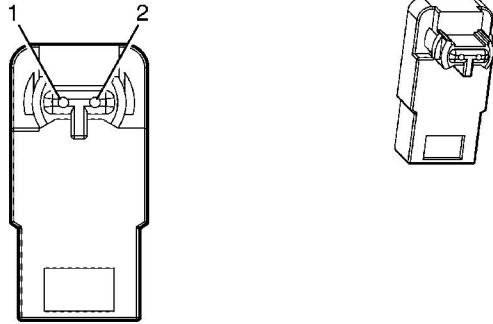
Terminal Part Information

- | Terminal/Tray: See Terminal Repair Kit
- | Core/Insulation Crimp: See Terminal Repair Kit
- | Release Tool/Test Probe: See Terminal Repair Kit

Inflatable Restraint I/P Module X1

Pin	Wire Color	Circuit No.	Function
1	0.5 D-BU	3024	I/P Module - Stage 1 - Low Control
2	0.5 YE	3025	I/P Module - Stage 1 - High Control

Inflatable Restraint I/P Module X2



Connector Part Information

- | OEM: 7335-4221
- | Service: See Catalog
- | Description: 2-Way M (GN)

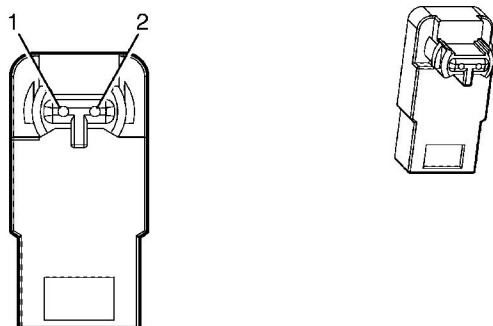
Terminal Part Information

- | Terminal/Tray: See Terminal Repair Kit
- | Core/Insulation Crimp: See Terminal Repair Kit
- | Release Tool/Test Probe: See Terminal Repair Kit

Inflatable Restraint I/P Module X2

Pin	Wire Color	Circuit No.	Function
1	0.5 PU	3026	I/P Module - Stage 2 - Low Control
2	0.5 D-GN	3027	I/P Module - Stage 2 - High Control

Inflatable Restraint Roof Rail Module - Left



Connector Part Information

- | OEM: 7335-6470
- | Service: See Catalog
- | Description: 2-Way M (GN)

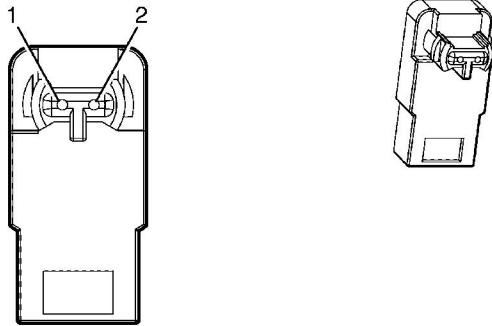
Terminal Part Information

- | Terminal/Tray: See Terminal Repair Kit
- | Core/Insulation Crimp: See Terminal Repair Kit
- | Release Tool/Test Probe: See Terminal Repair Kit

Inflatable Restraint Roof Rail Module - Left

Pin	Wire Color	Circuit No.	Function
1	0.5 BN/BK	5019	Roof Rail Module - Left - High Control
2	0.5 PK	5020	Roof Rail Module - Left - Low Control

Inflatable Restraint Roof Rail Module - Right



Connector Part Information

- | OEM: 7335-6471
- | Service: See Catalog
- | Description: 2-Way M (GN)

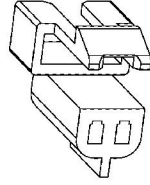
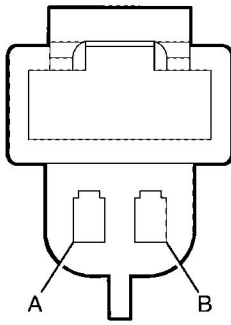
Terminal Part Information

- | Terminal/Tray: See Terminal Repair Kit
- | Core/Insulation Crimp: See Terminal Repair Kit
- | Release Tool/Test Probe: See Terminal Repair Kit

Inflatable Restraint Roof Rail Module - Right

Pin	Wire Color	Circuit No.	Function
1	0.5 PU/YE	5021	Roof Rail Module - Right - High Control
2	0.5 WH/BK	5022	Roof Rail Module - Right - Low Control

Inflatable Restraint Seat Position Sensor - Driver



Connector Part Information

- | OEM: 12052832
- | Service: 12052832
- | Description: 2-Way F Metri-Pack 150 Series (BK)

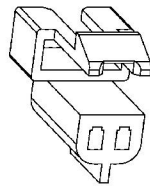
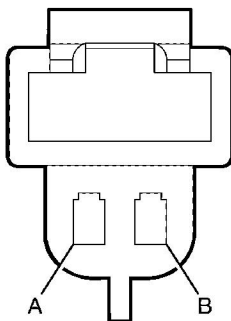
Terminal Part Information

- | Terminal/Tray: See Terminal Repair Kit
- | Core/Insulation Crimp: See Terminal Repair Kit
- | Release Tool/Test Probe: See Terminal Repair Kit

Inflatable Restraint Seat Position Sensor - Driver

Pin	Wire Color	Circuit No.	Function
A	0.3 PK/BU	5055	Seat Position Sensor- Left - Signal
B	0.3 PU/WH	5057	Seat Belt Switch - Right Front - Low Reference

Inflatable Restraint Seat Position Sensor - Passenger



Connector Part Information

- | OEM: 12052832
- | Service: 12052832
- | Description: 2-Way F Metri-Pack 150 Series (BK)

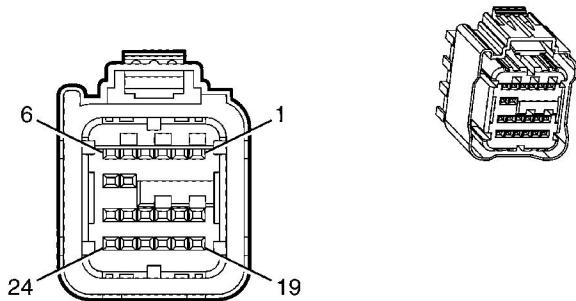
Terminal Part Information

- | Terminal/Tray: See Terminal Repair Kit
- | Core/Insulation Crimp: See Terminal Repair Kit
- | Release Tool/Test Probe: See Terminal Repair Kit

Inflatable Restraint Seat Position Sensor - Passenger

Pin	Wire Color	Circuit No.	Function
A	0.3 PK/BU	5056	Seat Position Sensor- Right - Signal
B	0.3 PU/WH	5057	Seat Belt Switch - Right Front - Low Reference

Inflatable Restraint Sensing and Diagnostic Module (SDM) X1



Connector Part Information

- | OEM: 7287-1849-30
- | Service: See Catalog
- | Description: 24-Way F (BK)

Terminal Part Information

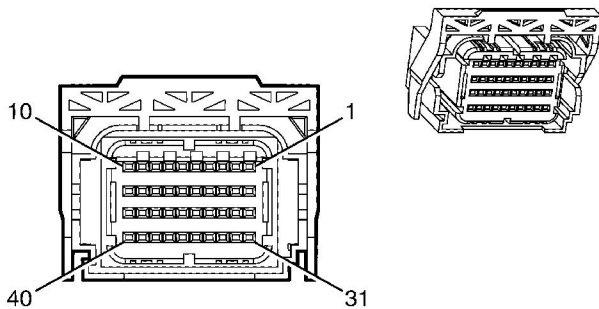
- | Terminal/Tray: See Terminal Repair Kit
- | Core/Insulation Crimp: See Terminal Repair Kit
- | Release Tool/Test Probe: See Terminal Repair Kit

Inflatable Restraint Sensing and Diagnostic Module (SDM) X1

Pin	Wire Color	Circuit No.	Function
1	0.3 BN	3020	Steering Wheel Module - Stage1 - Low Control
2	0.3 BN/RD	3021	Steering Wheel Module - Stage1 - High Control
3	0.3 WH	3023	Steering Wheel Module - Stage2 - High Control
4	0.3 PK	3022	Steering Wheel Module - Stage2 - Low Control

5	0.3 YE/BK	2138	Side Impact Module -LF - Low Control
6	0.3 BN	2137	Side Impact Module -LF - High Control
7-18	--	--	Not Used
19	0.3 BN/YE	5045	Discriminating Sensor - Low Reference
20	0.3 YE	354	Discriminating Sensor - Signal
21	0.5 PK/BU	339	Ignition 1 Voltage
22	0.5 OG/YE	1340	Battery Positive Voltage
23	--	--	Not Used
24	0.5 BK/WH	1751	Ground

Inflatable Restraint Sensing and Diagnostic Module (SDM) X2



Connector Part Information

- | OEM: 7287-1850-30
- | Service: See Catalog
- | Description: 40-Way F (BK)

Terminal Part Information

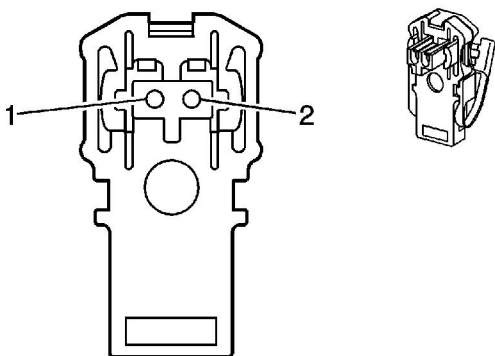
- | Terminal/Tray: See Terminal Repair Kit
- | Core/Insulation Crimp: See Terminal Repair Kit
- | Release Tool/Test Probe: See Terminal Repair Kit

Inflatable Restraint Sensing and Diagnostic Module (SDM) X2

Pin	Wire Color	Circuit No.	Function
1	0.5 BN/BK	5019	Roof Rail Module - Left - High Control
2	0.5 PK	5020	Roof Rail Module - Left - Low Control
3	0.5 WH/BK	5022	Roof Rail Module - Right - Low Control
4	0.5 PU/YE	5021	Roof Rail Module -Right - High Control
5	0.3 BK/WH	2135	Side Impact Module -RF - High Control
6	0.3 L-GN	2136	Side Impact Module - RF - Low Control

7	0.3 PU	3026	I/P Module - Stage 2 - Low Control
8	0.3 D-GN	3027	I/P Module - Stage 2 - High Control
9	0.3 YE	3025	I/P Module - Stage 1 - High Control
10	0.3 D-BU	3024	I/P Module - Stage 1 - Low Control
11	0.3 OG/GN	7203	Driver Seat Belt Pretensioner Retractor - High Control
12	0.3 WH	7206	Driver Seat Belt Pretensioner Retractor - Low Control
13	0.3 PU/GN	7205	Passenger Seat Belt Pretensioner Retractor - High Control
14	0.3 OG/BU	7204	Passenger Seat Belt Pretensioner Retractor - Low Control
15	0.3 BK/WH	2118	Seat Belt Pretensioner - Left High Control
16	0.3 OG/BK	2119	Seat Belt Pretensioner - Left Low Control
17	0.3 OG	2117	Seat Belt Pretensioner - Right Low Control
18	0.3 L-GN	2116	Seat Belt Pretensioner - Right High Control
19-22	--	--	Not Used
23	0.3 D-GN	1409	Discriminating Sensor - Right Signal
24	0.3 GY	5600	Discriminating Sensor - Low Reference
25	0.3 PU/WH	6628	Side Impact Sensing Module - Right - Low Reference
26	0.3 WH	2132	Side Impact Sensing Module - Left - Signal
27	0.3 D-GN	2134	Side Impact Sensing Module - Right - Signal
28	0.3 WH/BK	6629	Side Impact Sensing Module - Left - Low Reference
29-32	--	--	Not Used
33	0.3 L-BU	5056	Passenger Seat Position Sensor
34	0.3 PK	5057	Passenger Seat Position Sensor Return
35	0.3 L-GN	5055	Seat Position Sensor - Left - Signal
36	0.3 BK/WH	238	Seat Belt Switch - Left
37	0.3 OG	1362	Seat Belt Switch - Right Signal
38	0.3 D-BU	1363	Seat Belt Switch - Left - Low Reference
39	--	--	Not Used
40	0.35 D-GN	5060	Low Speed GMLAN Serial Data

Inflatable Restraint Side Impact Module - Left X1





Connector Part Information

- | OEM: CA-252-92-5-Q
- | Service: See Catalog
- | Description: 2-Way F (YE)

Terminal Part Information

- | Terminal/Tray: See Terminal Repair Kit
- | Core/Insulation Crimp: See Terminal Repair Kit
- | Release Tool/Test Probe: See Terminal Repair Kit

Inflatable Restraint Side Impact Module - Left X1

Pin	Wire Color	Circuit No.	Function
1	0.3 BN	2137	Side Impact Module - Left Front - High Control
2	0.3 YE/BK	2138	Side Impact Module - Left Front - Low Control

Inflatable Restraint Side Impact Module - Left X2

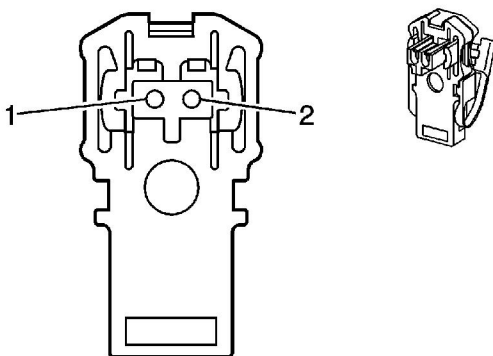
Terminal Part Information

- | Terminal:
- | Core/Insulation Crimp: N/A
- | Release Tool/Test Probe: Ring Terminal

Inflatable Restraint Side Impact Module - Left X2

Pin	Wire Color	Circuit No.	Function
A	0.3 BK/WH	1751	Ground

Inflatable Restraint Side Impact Module - Right X1



Connector Part Information

- | OEM: CA-252-92-5-Q
- | Service: See Catalog
- | Description: 2-Way F (YE)

Terminal Part Information

- | Terminal/Tray: See Terminal Repair Kit
- | Core/Insulation Crimp: See Terminal Repair Kit
- | Release Tool/Test Probe: See Terminal Repair Kit

Inflatable Restraint Side Impact Module - Right X1

Pin	Wire Color	Circuit No.	Function
1	0.3 BK/WH	2135	Side Impact Module - Right Front - High Control
2	0.3 L-GN	2136	Side Impact Module - Right Front - Low Control

Inflatable Restraint Side Impact Module - Right X2

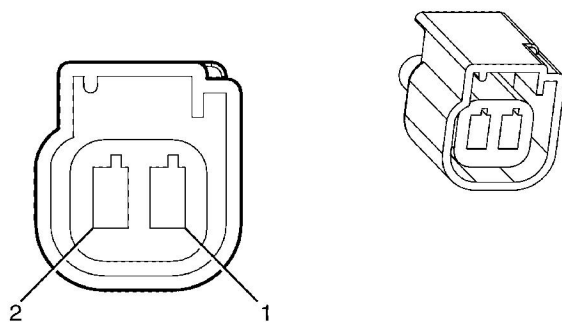
Terminal Part Information

- | Terminal:
- | Core/Insulation Crimp: N/A
- | Release Tool/Test Probe: Ring Terminal

Inflatable Restraint Side Impact Module - Right X2

Pin	Wire Color	Circuit No.	Function
A	0.3 BK/WH	1751	Ground

Inflatable Restraint Side Impact Sensor (SIS) - Left



Connector Part Information

- | OEM: 7283-6291-30

- | Service: See Catalog
- | Description: 2-Way F (BK)

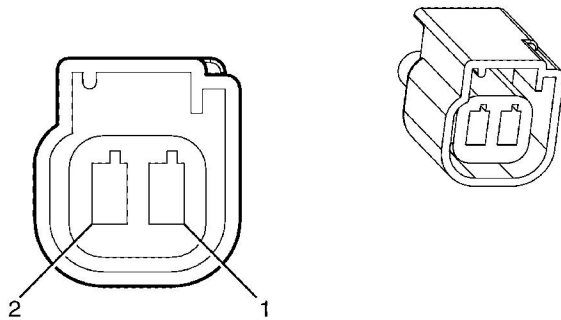
Terminal Part Information

- | Terminal/Tray: 7116-4102-08/9
- | Core/Insulation Crimp: E/1
- | Release Tool/Test Probe: 12094430/J-35616-2A (GY)

Inflatable Restraint Side Impact Sensor (SIS) - Left

Pin	Wire Color	Circuit No.	Function
1	0.3 WH	2132	Side Impact Sensing Module - Left - Signal
2	0.3 PU/WH	6628	Side Impact Sensing Module - Left - Low Reference

Inflatable Restraint Side Impact Sensor (SIS) - Right



Connector Part Information

- | OEM: 7283-6291-30
- | Service: See Catalog
- | Description: 2-Way F (BK)

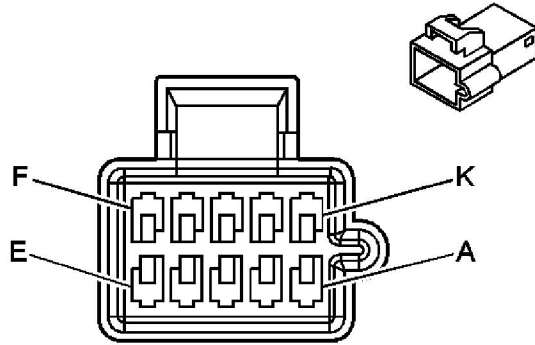
Terminal Part Information

- | Terminal/Tray: 7116-4102-08/9
- | Core/Insulation Crimp: E/1
- | Release Tool/Test Probe: 12094430/J-35616-2A (GY)

Inflatable Restraint Side Impact Sensor (SIS) - Right

Pin	Wire Color	Circuit No.	Function
1	0.3 D-GN	2134	Side Impact Sensing Module - Right - Signal
2	0.3 WH/BK	6629	Side Impact Sensing Module - Right - Low Reference

Inflatable Restraint Steering Wheel Module Coil X1



Connector Part Information

- | OEM: 7182-6974
- | Service: See Catalog
- | Description: 10-Way M (NA)

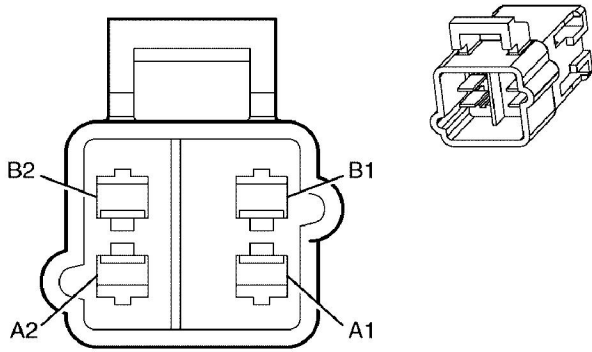
Terminal Part Information

- | Terminal/Tray: 12047581/2
- | Core/Insulation Crimp: E/C
- | Release Tool/Test Probe: 12094429/J-35616-3 (GY)

Inflatable Restraint Steering Wheel Module Coil X1

Pin	Wire Color	Circuit No.	Function
A	0.3 GY/BU	7367	Right Steering Wheel Scroll 2
B	0.3 BN/GN	7364	Right Steering Wheel Scroll 1
C	0.3 BN	7312	Left Steering Wheel Scroll 1
D	0.3 L-BU	7313	Left Steering Wheel Scroll 2
E	0.3 BN/WH	897	DIC Switch Low Reference
F	0.3 OG/BK	5201	Steering Wheel Controls Signal
G	0.3 BK	850	Ground
H	0.3 PU/WH	7005	I/P Dimming Control
J	0.3 BN/BK	28	Horn Relay Control
K	--	--	Not Used

Inflatable Restraint Steering Wheel Module Coil X2



Connector Part Information

- | OEM: 7182-7297-70
- | Service: See Catalog
- | Description: 4-Way M (YE)

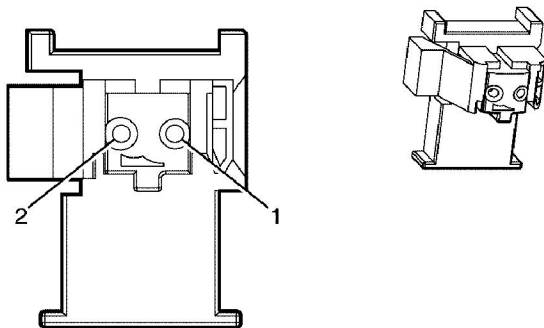
Terminal Part Information

- | Terminal/Tray: 12034047/2
- | Core/Insulation Crimp: E/A
- | Release Tool/Test Probe: 12094430/J-35616-5 (PU)

Inflatable Restraint Steering Wheel Module Coil X2

Pin	Wire Color	Circuit No.	Function
A1	0.3 BN/RD	3021	Steering Wheel Module - Stage1 - High Control
A2	0.3 BN	3020	Steering Wheel Module - Stage1 - Low Control
B1	0.3 WH	3023	Steering Wheel Module - Stage2 - High Control
B2	0.3 PK	3022	Steering Wheel Module - Stage2 - Low Control

Inflatable Restraint Steering Wheel Module X1



Connector Part Information

- | OEM: CA-252-92-5-Q
- | Service: See Catalog
- | Description: 2-Way M (OG)

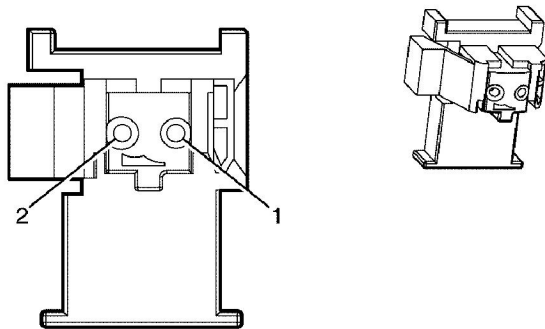
Terminal Part Information

- | Terminal/Tray: See Terminal Repair Kit
- | Core/Insulation Crimp: See Terminal Repair Kit
- | Release Tool/Test Probe: See Terminal Repair Kit

Inflatable Restraint Steering Wheel Module X1

Pin	Wire Color	Circuit No.	Function
1	0.3 BN	3020	Steering Wheel Module - Stage1 - Low Control
2	0.3 TN	3021	Steering Wheel Module - Stage1 - High Control

Inflatable Restraint Steering Wheel Module X2



Connector Part Information

- | OEM: CA-252-92-5-Q
- | Service: See Catalog
- | Description: 2-Way M (BU)

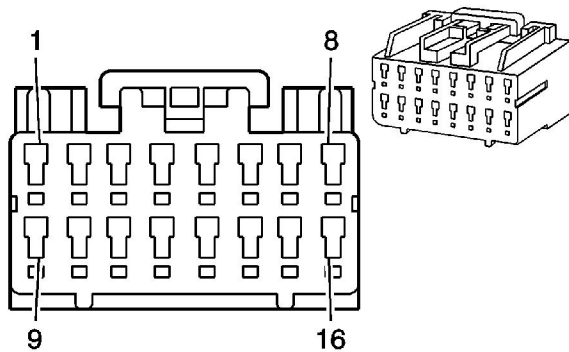
Terminal Part Information

- | Terminal/Tray: See Terminal Repair Kit
- | Core/Insulation Crimp: See Terminal Repair Kit
- | Release Tool/Test Probe: See Terminal Repair Kit

Inflatable Restraint Steering Wheel Module X2

Pin	Wire Color	Circuit No.	Function
1	0.3 PK	3022	Steering Wheel Module - Stage2 - Low Control
2	0.3 WH	3023	Steering Wheel Module - Stage2 - High Control

Inside Rearview Mirror (ISRVM)



Connector Part Information

- | OEM: 7283-1766-30
- | Service: See Catalog
- | Description: 16-Way F (BK)

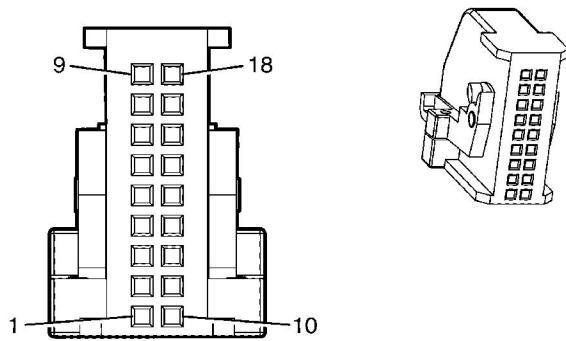
Terminal Part Information

- | Terminal/Tray: 175266-5/15
- | Core/Insulation Crimp: J/J
- | Release Tool/Test Probe: 15315247/J-35616-16 (L-GN)

Inside Rearview Mirror (ISRVM)

Pin	Wire Color	Circuit No.	Function
1-2	--	--	Not Used
3	0.3 BK/BN	723	I/P Module Disable Switch - Signal
4	0.3 BK/PK	353	I/P Module Suppression Indicator Control
5-7	--	--	Not Used
8	0.3 BK	1450	Ground
9	0.5 L-GN	24	Backup Lamp Supply Voltage
10	--	--	Not Used
11	0.3 D-GN/WH	2514	Keypad Signal
12	0.3 L-GN/BK	2515	Keypad Supply Voltage
13	0.5 PK/BU	1339	Ignition 1 Voltage
14	0.3 YE/BK	2516	Keypad Green LED Signal
15	0.3 BN/WH	2517	Keypad Red LED Signal
16	--	--	Not Used

Instrument Panel Cluster (IPC)



Connector Part Information

- | OEM: 7219-1198-30
- | Service: See Catalog
- | Description: 18-Way F (BK)

Terminal Part Information

- | Pins: 1, 9
- | Terminal/Tray: 928999-5/15
- | Core/Insulation Crimp: J/J
- | Release Tool/Test Probe: 12094429/J-35616-64B (L-BU)

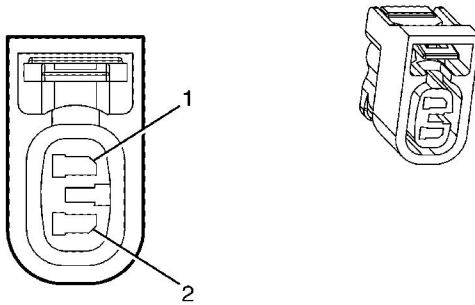
- | Pins: 2-8, 10-18
- | Terminal/Tray: 928999-5/15
- | Core/Insulation Crimp: H/H
- | Release Tool/Test Probe: 12094429/J-35616-64B (L-BU)

Instrument Panel Cluster (IPC)

Pin	Wire Color	Circuit No.	Function
1	0.5 OG/WH	1840	Battery Positive Voltage
2	0.3 GY	728	Security Indicator Control
3	--	--	Not Used
4	0.3 BK/PK	353	I/P Module Suppression Indicator Control
5	--	--	Low Washer Fluid Indicator Signal
6	0.3 BN	7312	Left Steering Wheel Scroll 1
7	0.3 GY/BU	7367	Right Steering Wheel Scroll 2
8	0.3 BN/GN	7364	Right Steering Wheel Scroll 1
9	0.5 BK	850	Ground
10	0.3 PK	3	Ignition 1 Voltage
11	0.3 BN/WH	419	MIL Control
12	0.3 OG/BK	5201	Steering Wheel Controls Signal
13	0.3 BN/WH	33	Brake Warning Indicator Control
14	--	--	Not Used

15	0.35 D-GN	9203	Low Speed GMLAN Serial Data
16	0.3 BK/BN	723	I/P Module Disable Switch - Signal
17	0.3 L-BU	7313	Left Steering Wheel Scroll 2
18	0.3 BN/WH	897	Steering Wheel Controls Low Reference

Intake Manifold Tuning (IMT) Solenoid Valve (LY7)



Connector Part Information

- | OEM: 7283-8226-30
- | Service: 88988587
- | Description: 2-Way F 090 Class II Series Sealed (BK)

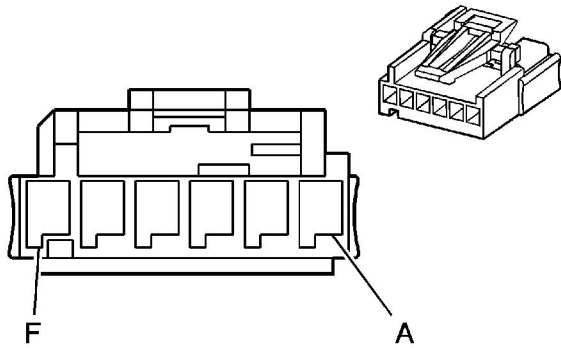
Terminal Part Information

- | Terminal/Tray: 7116-4026/11
- | Core/Insulation Crimp: E/1
- | Release Tool/Test Probe: 15313892/J-35616-18 (BK)

Intake Manifold Tuning (IMT) Solenoid Valve (LY7)

Pin	Wire Color	Circuit No.	Function
1	0.75 PK/BU	5293	Ignition 1 Voltage
2	0.75 BN	1997	EVAP Canister Vent Solenoid Valve Low Reference

Internal Mode Switch (IMS)



Connector Part Information

- | OEM: 15493189
- | Service: See Catalog
- | Description: 6-Way F (NA)

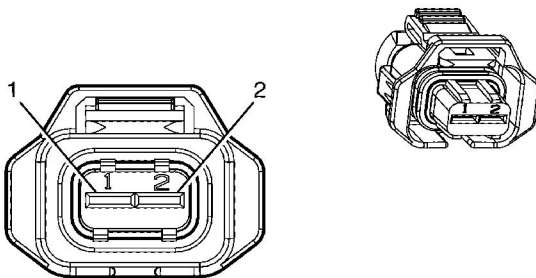
Terminal Part Information

- | Terminal/Tray: See Terminal Repair Kit
- | Core/Insulation Crimp: See Terminal Repair Kit
- | Release Tool/Test Probe: See Terminal Repair Kit

Internal Mode Switch (IMS)

Pin	Wire Color	Circuit No.	Function
A	0.5 BN	1786	Park/Neutral Signal
B	0.5 GY	776	Transmission Range Switch Signal P
C	0.5 BK	772	Transmission Range Switch Signal B
D	0.5 RD	771	Transmission Range Switch Signal A
E	0.5 D-BU	773	Transmission Range Switch Signal C
F	0.5 D-GN	450	Ground

Knock Sensor (KS) 1 (LY7)





Connector Part Information

- | OEM: 7283-6205-30
- | Service: See Catalog
- | Description: 2-Way F (BK)

Terminal Part Information

- | Terminal/Tray: See Terminal Repair Kit
- | Core/Insulation Crimp: See Terminal Repair Kit
- | Release Tool/Test Probe: See Terminal Repair Kit

Knock Sensor (KS) 1 (LY7)

Pin	Wire Color	Circuit No.	Function
1	0.5 D-BU	496	Knock Sensor 1 Signal
2	0.5 GY	1716	Low Reference Knock Sensor Signal Return

Knock Sensor (KS) 1 (L76)

Connector Part Information

- | OEM: 7283-3954
- | Service: See Catalog
- | Description: 2-Way F

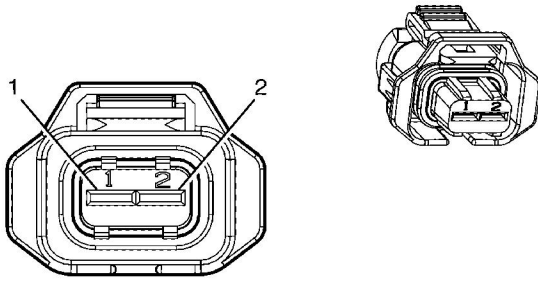
Terminal Part Information

- | Terminal/Tray: 15326427/5
- | Core/Insulation Crimp: E/A
- | Release Tool/Test Probe: 15315247/J-35616-2A (GY)

Knock Sensor (KS) 1 (L76)

Pin	Wire Color	Circuit No.	Function
1	0.5 D-BU	496	Knock Sensor 1 Signal
2	0.5 GY	1716	Low Reference Knock Sensor Signal Return

Knock Sensor (KS) 2 (LY7)



Connector Part Information

- | OEM: 7283-6205-30
- | Service: See Catalog
- | Description: 2-Way F (BK)

Terminal Part Information

- | Terminal/Tray: See Terminal Repair Kit
- | Core/Insulation Crimp: See Terminal Repair Kit
- | Release Tool/Test Probe: See Terminal Repair Kit

Knock Sensor (KS) 2 (LY7)

Pin	Wire Color	Circuit No.	Function
1	0.5 L-BU	1876	Knock Sensor 2 Signal
2	0.5 BN	407	Low Reference Knock Sensor Signal Return

Knock Sensor (KS) 2 (L76)

Connector Part Information

- | OEM: 7283-3954
- | Service: See Catalog
- | Description: 2-Way F

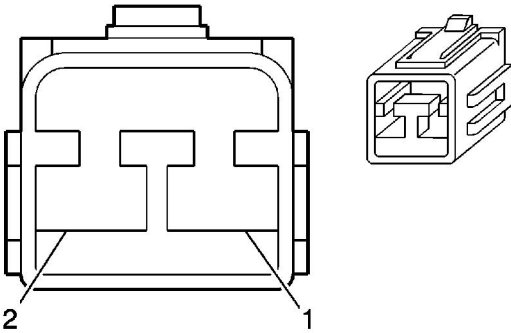
Terminal Part Information

- | Terminal/Tray: 15326427/5
- | Core/Insulation Crimp: E/A
- | Release Tool/Test Probe: 15315247/J-35616-2A (GY)

Knock Sensor (KS) 2 (L76)

Pin	Wire Color	Circuit No.	Function
1	0.5 L-BU	1876	Knock Sensor 2 Signal
2	0.5 BN	407	Low Reference Knock Sensor Signal Return

License Lamp - Left



Connector Part Information

- | OEM: 1897280-2
- | Service: See Catalog
- | Description: 2-Way F (BK)

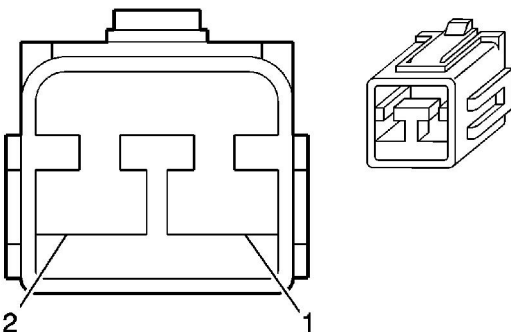
Terminal Part Information

- | Terminal/Tray: See Terminal Repair Kit
- | Core/Insulation Crimp: See Terminal Repair Kit
- | Release Tool/Test Probe: See Terminal Repair Kit

License Lamp - Left

Pin	Wire Color	Circuit No.	Function
1	0.5 BN/WH	309	Right Park Lamp Supply Voltage
2	0.5 BK	1350	Ground

License Lamp - Right



Connector Part Information

- | OEM: 1897280-2
- | Service: See Catalog
- | Description: 2-Way F (BK)

Terminal Part Information

- | Terminal/Tray: See Terminal Repair Kit
- | Core/Insulation Crimp: See Terminal Repair Kit
- | Release Tool/Test Probe: See Terminal Repair Kit

License Lamp - Right

Pin	Wire Color	Circuit No.	Function
1	0.5 BN/WH	309	Right Park Lamp Supply Voltage
2	0.5 BK	1350	Ground

Manifold Absolute Pressure (MAP) Sensor (L76)

Connector Part Information

- | OEM: 7283-7938-30
- | Service: See Catalog
- | Description:

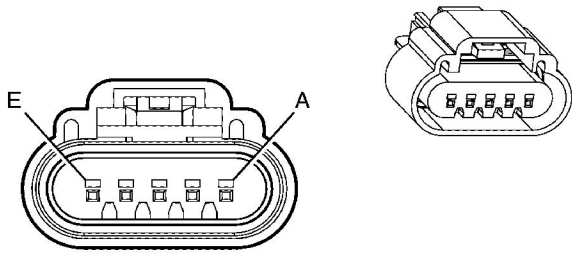
Terminal Part Information

- | Terminal/Tray: 1928498056/8
- | Core/Insulation Crimp: E/1
- | Release Tool/Test Probe: J-38125-561/J-35616-35 (VT)

Manifold Absolute Pressure (MAP) Sensor (L76)

Pin	Wire Color	Circuit No.	Function
1	0.5 GY	2704	5-Volt Reference
2	0.5 OG/BK	469	Low Reference
3	0.5 L-GN	432	MAP Sensor Signal

Mass Air Flow (MAF)/Intake Air Temperature (IAT) Sensor



Connector Part Information

- | OEM: 7283-6997-30
- | Service: See Catalog
- | Description: 5-Way F (BK)

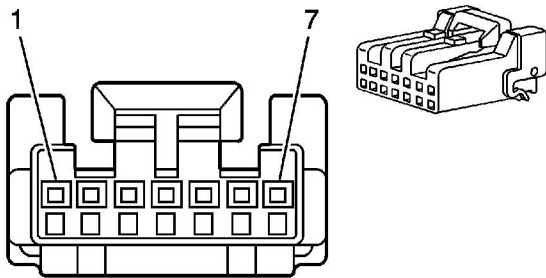
Terminal Part Information

- | Terminal/Tray: 12191819/8
- | Core/Insulation Crimp: E/A
- | Release Tool/Test Probe: 15315247/J-35616-2A (GY)

Mass Air Flow (MAF)/Intake Air Temperature (IAT) Sensor

Pin	Wire Color	Circuit No.	Function
A	0.5 YE	492	MAF Sensor Signal
B	0.5 PK	439	Ignition 1 Voltage
C	0.5 BK	450	Ground
D	0.5 BN/RD	472	IAT Sensor Signal
E	0.5 BN/WH	2760	Low Reference

Mode Actuator





Connector Part Information

- | OEM: IL-AG5-7S-S3C1
- | Service: See Catalog
- | Description: 7-Way F Yazaki (BK)

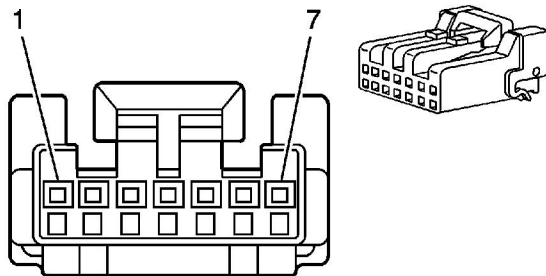
Terminal Part Information

- | Terminal/Tray: See Terminal Repair Kit
- | Core/Insulation Crimp: See Terminal Repair Kit
- | Release Tool/Test Probe: See Terminal Repair Kit

Mode Actuator

Pin	Wire Color	Circuit No.	Function
1	0.5 GY	1791	Low Reference
2	--	--	Not Used
3	0.5 YE	598	5-Volt Reference
4	--	--	Not Used
5	0.5 RD	2275	Mode Door Control B
6	0.5 YE/BK	119	Mode Door Control
7	0.5 PK	2273	Mode Door Control

Mode Actuator - Auxiliary



Connector Part Information

- | OEM: IL-AG5-7S-S3C1
- | Service: See Catalog
- | Description: 7-Way F Yazaki (BK)

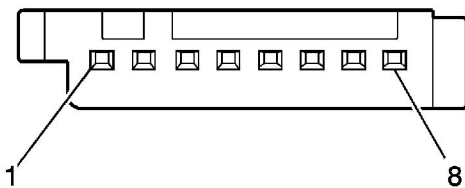
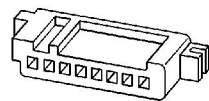
Terminal Part Information

- | Terminal/Tray: See Terminal Repair Kit
- | Core/Insulation Crimp: See Terminal Repair Kit
- | Release Tool/Test Probe: See Terminal Repair Kit

Mode Actuator - Auxiliary

Pin	Wire Color	Circuit No.	Function
1	0.5 GY	1791	Low Reference
2	--	--	Not Used
3	0.5 YE	598	5-Volt Reference
4	--	--	Not Used
5	0.5 BN/RD	2275	Mode Door Control B
6	0.5 D-BU	119	Mode Door Control
7	0.5 OG	454	Mode Door Control

Multifunction Switch - Center Console X1



Connector Part Information

- | OEM: 7119-1306
- | Service: See Catalog
- | Description: 8-Way F (WH)

Terminal Part Information

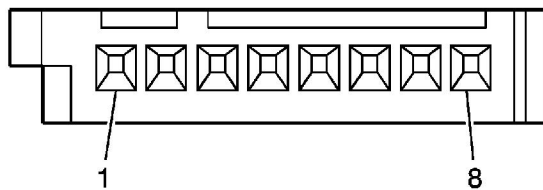
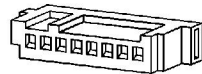
- | Terminal/Tray: 928999-5/15
- | Core/Insulation Crimp: H/H
- | Release Tool/Test Probe: 12094429/J-35616-64B (L-BU)

Multifunction Switch - Center Console X1

Pin	Wire Color	Circuit No.	Function
1	0.3 YE	6817	LED Backlight Dimming Control
2	0.3 BK	850	Ground
3	0.3 PK	1501	Driver Heated Seat High/Low Signal (KA1)

4	0.3 D-GN	1661	Driver Heated Seat High Temperature Indicator Control (KA1)
5	0.3 WH/BK	6177	Passenger Heated Seat Intermediate Signal (KA1)
6	0.3 L-BU	1662	Driver Heated Seat Low Temperature Indicator Control (KA1)
7	--	--	Not Used
8	0.3 BN/OG	1571	Object Detection Disable Signal

Multifunction Switch - Center Console X2 (KA1)



Connector Part Information

- | OEM: 7119-1996-30
- | Service: See Catalog
- | Description: 8-Way F (BK)

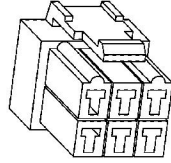
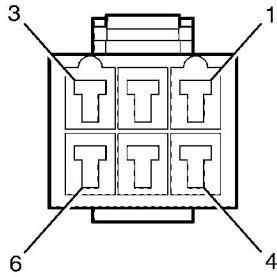
Terminal Part Information

- | Terminal/Tray: 928999-5/15
- | Core/Insulation Crimp: H/H
- | Release Tool/Test Probe: 12094429/J-35616-64B (L-BU)

Multifunction Switch - Center Console X2 (KA1)

Pin	Wire Color	Circuit No.	Function
1	0.5 PK/BU	1339	Ignition 1 Voltage
2	0.3 YE	1685	Passenger Heated Seat High Temperature Indicator Control
3	0.3 WH/BK	6185	Passenger Heated Seat Intermediate Signal
4	0.3 BN	1686	Passenger Heated Seat Low Temperature Indicator Control
5	0.3 PU/WH	6816	Heated Seat Supply Voltage
6	0.3 PK/BK	1503	Passenger Heated Seat High/Low Signal
7	--	--	Not Used
8	0.5 BK	850	Ground

Outside Rearview Mirror - Driver



Connector Part Information

- | OEM: 7183-9618
- | Service: See Catalog
- | Description: 6-Way F (WH)

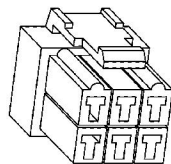
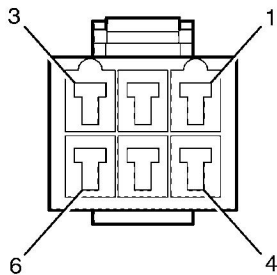
Terminal Part Information

- | Terminal/Tray: See Terminal Repair Kit
- | Core/Insulation Crimp: See Terminal Repair Kit
- | Release Tool/Test Probe: See Terminal Repair Kit

Outside Rearview Mirror - Driver

Pin	Wire Color	Circuit No.	Function
1	0.5 WH/BU	7391	Power Window Switch Right and Up
2	0.5 WH/BK	81	Driver Mirror Motor Right Control
3	--	--	Not Used
4	0.5 L-GN/BK	89	Driver Mirror Motor Down Control
5-6	--	--	Not Used

Outside Rearview Mirror - Passenger





Connector Part Information

- | OEM: 7183-9618
- | Service: See Catalog
- | Description: 6-Way F (WH)

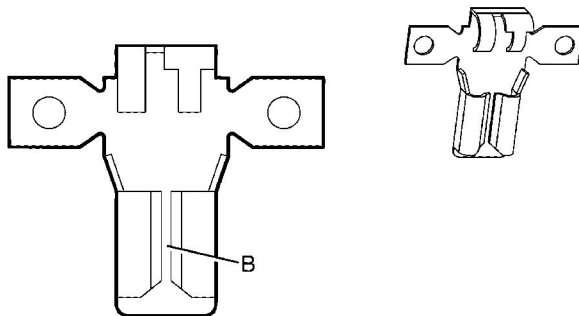
Terminal Part Information

- | Terminal/Tray: See Terminal Repair Kit
- | Core/Insulation Crimp: See Terminal Repair Kit
- | Release Tool/Test Probe: See Terminal Repair Kit

Outside Rearview Mirror - Passenger

Pin	Wire Color	Circuit No.	Function
1	0.5 WH/BU	7391	Power Window Switch Right and Up
2	0.5 OG/WH	881	Passenger Mirror Motor Right Control
3	--	--	Not Used
4	0.5 PU/WH	889	Passenger Mirror Motor Down Control
5-6	--	--	Not Used

Park Brake Switch



Connector Part Information

- | OEM: 175193-1
- | Service: See Catalog
- | Description: 2-Way F (SR)

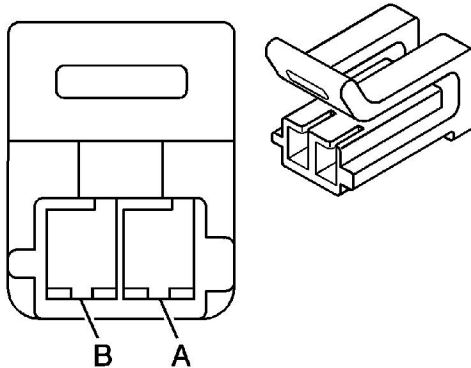
Terminal Part Information

- | Terminal/Tray: See Terminal Repair Kit
- | Core/Insulation Crimp: See Terminal Repair Kit
- | Release Tool/Test Probe: See Terminal Repair Kit

Park Brake Switch

Pin	Wire Color	Circuit No.	Function
B	0.85 OG/BK	233	Park Brake Switch Signal

Pressure Control (PC) Solenoid Valve



Connector Part Information

- | OEM: 12146094
- | Service: See Catalog
- | Description: 2-Way F Metri-Pack 150.2 Series, Sealed, Pull To Seat (GY)

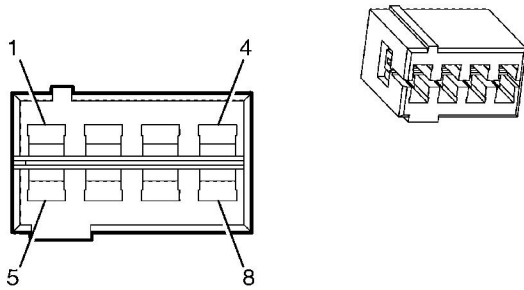
Terminal Part Information

- | Terminal/Tray: See Terminal Repair Kit
- | Core/Insulation Crimp: See Terminal Repair Kit
- | Release Tool/Test Probe: See Terminal Repair Kit

Pressure Control (PC) Solenoid Valve

Pin	Wire Color	Circuit No.	Function
A	0.5 D-GN	1228	PC Solenoid Valve High Control
B	0.5 WH	1229	PC Solenoid Valve Low Control

Radio X1



Connector Part Information

- | OEM: 7183-2325-30
- | Service: See Catalog
- | Description: 8-Way F (BK)

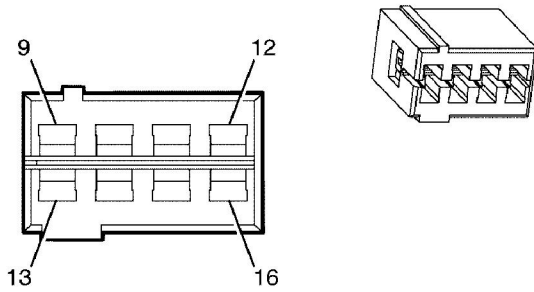
Terminal Part Information

- | Terminal/Tray: See Terminal Repair Kit
- | Core/Insulation Crimp: See Terminal Repair Kit
- | Release Tool/Test Probe: See Terminal Repair Kit

Radio X1

Pin	Wire Color	Circuit No.	Function
1	0.5 L-BU	115	Right Rear Speaker Output (-)
2	0.5 D-GN	117	Right Front Speaker Output (-)
3	0.5 GY	118	Left Front Speaker Output (-)
4	0.5 YE/RD	116	Left Rear Speaker Output (-)
5	0.5 D-BU	46	Right Rear Speaker Output (+)
6	0.5 L-GN	200	Right Front Speaker Output (+)
7	0.5 BN	201	Left Front Speaker Output (+)
8	0.5 BN	199	Left Rear Speaker Output (+)

Radio X2



Connector Part Information

- | OEM: 7283-8776-30
- | Service: See Catalog
- | Description: 8-Way F (BK)

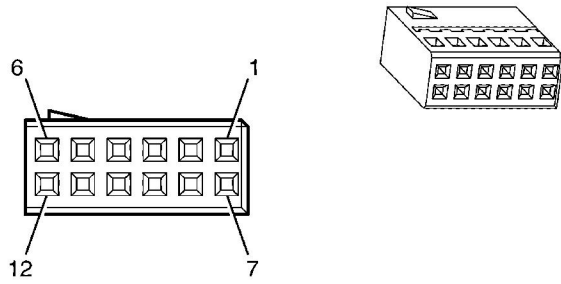
Terminal Part Information

- | Terminal/Tray: See Terminal Repair Kit
- | Core/Insulation Crimp: See Terminal Repair Kit
- | Release Tool/Test Probe: See Terminal Repair Kit

Radio X2

Pin	Wire Color	Circuit No.	Function
9	0.5 L-BU	1860	Front Center Speaker Output (+) (UWP)
10	0.85 OG/BU	4340	Battery Positive Voltage
11	--	--	Not Used
12	1.25 BK	1050	Ground
13	0.5 OG	1860	Front Center Speaker Output (+) (UWP)
14	0.85 OG/BU	4340	Battery Positive Voltage
15	0.85 OG/BU	4340	Battery Positive Voltage
16	1.25 BK	1050	Ground

Radio X4



Connector Part Information

- | OEM: 7119-1013-30
- | Service: See Catalog
- | Description: 12-Way F (BK)

Terminal Part Information

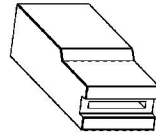
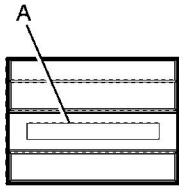
- | Pins: 1, 4-7
- | Terminal/Tray: 928999-5/15
- | Core/Insulation Crimp: H/H
- | Release Tool/Test Probe: 12094429/J-35616-64B (L-BU)

- | Pins: 2, 3, 8, 9
- | Terminal/Tray: 928999-5/15
- | Core/Insulation Crimp: J/J
- | Release Tool/Test Probe: 12094429/J-35616-64B (L-BU)

Radio X4

Pin	Wire Color	Circuit No.	Function
1	0.3 L-BU	659	Telephone Audio Signal (-)
2	0.5 GY	388	Remote Radio Right Audio Signal
3	0.5 BN/WH	372	Remote Radio Audio Output (-)
4	0.35 BK	6131	Battery Positive Voltage
5	0.3 WH	700	Telephone Audio Signal Mute
6	0.35 L-GN	9202	Low Speed GMLAN Serial Data
7	0.3 D-BU	658	Telephone Audio Signal (+)
8	0.5 GY/BK	7008	Right Radio Audio Output
9	0.5 D-GN	7007	Left Radio Audio Output
10-12	--	--	Not Used

Rear Compartment Courtesy Lamp X1



Connector Part Information

- | OEM: 7123-0073-30
- | Service: See Catalog
- | Description: 1-Way F (BK)

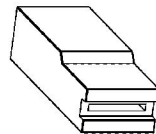
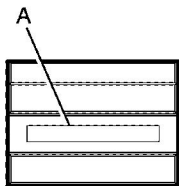
Terminal Part Information

- | Terminal/Tray: See Terminal Repair Kit
- | Core/Insulation Crimp: See Terminal Repair Kit
- | Release Tool/Test Probe: See Terminal Repair Kit

Rear Compartment Courtesy Lamp X1

Pin	Wire Color	Circuit No.	Function
A	0.85 OG	1732	Courtesy Lamps Supply Voltage

Rear Compartment Courtesy Lamp X2



Connector Part Information

- | OEM: 7123-0073-30
- | Service: See Catalog

- | Description: 1-Way F (BK)

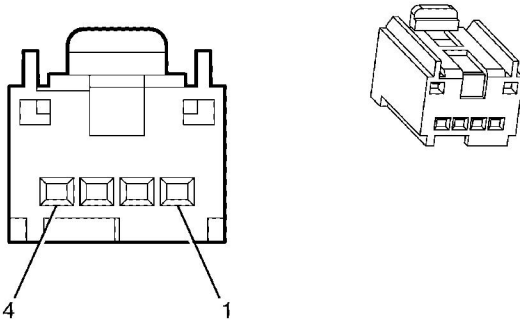
Terminal Part Information

- | Terminal/Tray: See Terminal Repair Kit
- | Core/Insulation Crimp: See Terminal Repair Kit
- | Release Tool/Test Probe: See Terminal Repair Kit

Rear Compartment Courtesy Lamp X2

Pin	Wire Color	Circuit No.	Function
A	0.5 D-BU	737	Rear Compartment Lamp Control

Rear Compartment Lid Latch



Connector Part Information

- | OEM: 7283-9909-30
- | Service: See Catalog
- | Description: 4-Way F (BK)

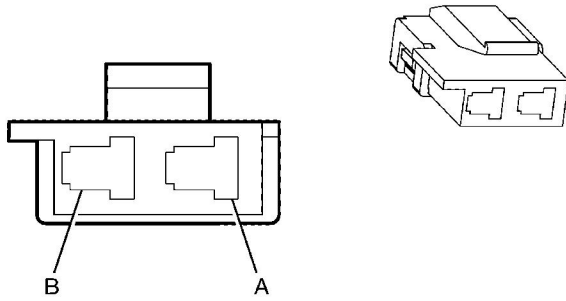
Terminal Part Information

- | Terminal/Tray: See Terminal Repair Kit
- | Core/Insulation Crimp: See Terminal Repair Kit
- | Release Tool/Test Probe: See Terminal Repair Kit

Rear Compartment Lid Latch

Pin	Wire Color	Circuit No.	Function
1	0.3 OG/BK	744	Rear Compartment Lid Ajar Switch Signal
2	0.5 D-BU	737	Rear Compartment Lamp Control
3	0.85 BN/WH	56	Rear Compartment Lid Release Actuator
4	0.85 BK	1850	Ground

Rear Compartment Lid Release Switch



Connector Part Information

- | OEM: 7123-9610
- | Service: See Catalog
- | Description: 2-Way F (WH)

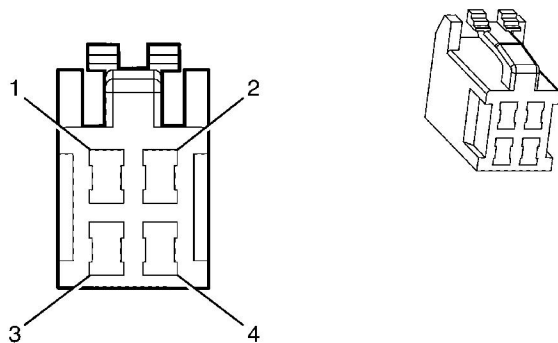
Terminal Part Information

- | Terminal/Tray: See Terminal Repair Kit
- | Core/Insulation Crimp: See Terminal Repair Kit
- | Release Tool/Test Probe: See Terminal Repair Kit

Rear Compartment Lid Release Switch

Pin	Wire Color	Circuit No.	Function
A	0.5 D-BU	6189	Rear Compartment Relay Switch
B	0.5 BK	1450	Ground

Rear Object Sensor Control Module Connector



Connector Part Information

- | OEM: 7282-1040
- | Service: See Catalog
- | Description: 4-Way M 090 II Series (NA)

Terminal Part Information

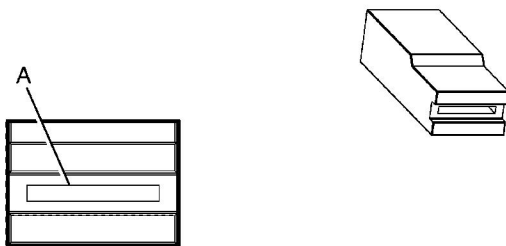
- | Pins: 1, 3
- | Terminal/Tray: 7114-4020/10
- | Core/Insulation Crimp: E/C
- | Release Tool/Test Probe: 15315247/J-35616-19 (BK)

- | Pin: 2
- | Terminal/Tray: 7114-4021/10
- | Core/Insulation Crimp: E/A
- | Release Tool/Test Probe: 15315247/J-35616-19 (BK)

Rear Object Sensor Control Module Connector

Pin	Wire Color	Circuit No.	Function
1	0.5 BN/BU	343	Not Used
2	0.85 L-GN	24	Not Used
3	0.5 BK	1650	Not Used
4	--	--	Not Used

Rear Window Defogger Grid X1



Connector Part Information

- | OEM: 7183-0073-30
- | Service: See Catalog
- | Description: 1-Way F (BK)

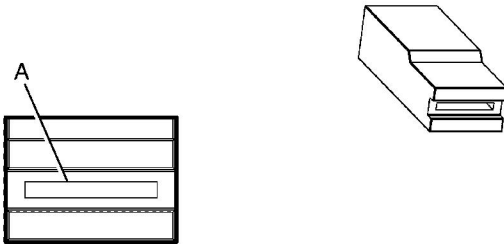
Terminal Part Information

- | Terminal/Tray: See Terminal Repair Kit
- | Core/Insulation Crimp: See Terminal Repair Kit
- | Release Tool/Test Probe: See Terminal Repair Kit

Rear Window Defogger Grid X1

Pin	Wire Color	Circuit No.	Function
A	3 PU	293	Rear Defog Element Supply Voltage

Rear Window Defogger Grid X2



Connector Part Information

- | OEM: 7183-0073-30
- | Service: See Catalog
- | Description: 1-Way F (BK)

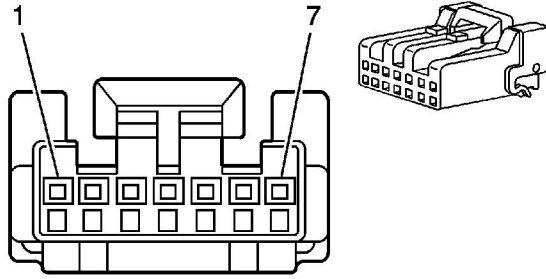
Terminal Part Information

- | Terminal/Tray: See Terminal Repair Kit
- | Core/Insulation Crimp: See Terminal Repair Kit
- | Release Tool/Test Probe: See Terminal Repair Kit

Rear Window Defogger Grid X2

Pin	Wire Color	Circuit No.	Function
A	3 BK	1650	Ground

Recirculation Actuator



Connector Part Information

- | OEM: IL-AG5-7S-S3C1
- | Service: See Catalog
- | Description: 7-Way F Yazaki (GN)

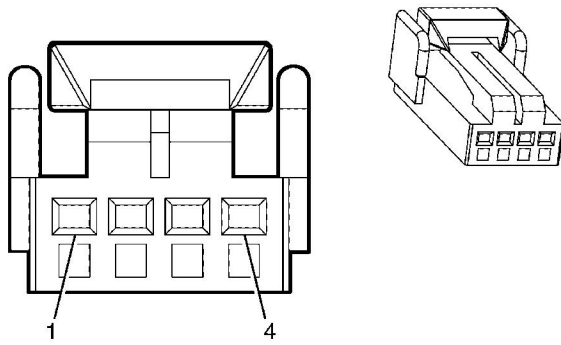
Terminal Part Information

- | Terminal/Tray: See Terminal Repair Kit
- | Core/Insulation Crimp: See Terminal Repair Kit
- | Release Tool/Test Probe: See Terminal Repair Kit

Recirculation Actuator

Pin	Wire Color	Circuit No.	Function
1	0.5 YE	598	5-Volt Reference
2	--	--	Not Used
3	0.5 GY	1791	Low Referencel
4	--	--	Not Used
5	0.5 WH/OG	1838	Recirculation Door Position Signal
6	0.5 PU	2274	Recirculation Door Control Circuit
7	0.5 WH/BU	1614	Recirculation Door Control

Remote Control Door Lock Receiver (RCDLR)



Connector Part Information

- | OEM: 7119-1142-60
- | Service: See Catalog
- | Description: 4-Way F (GN)

Terminal Part Information

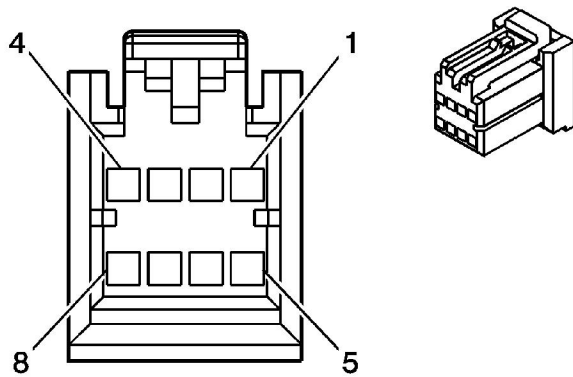
- | Pins: 1, 4
- | Terminal/Tray: IL-AG5-C1-5000/20
- | Core/Insulation Crimp: J/J
- | Release Tool/Test Probe: J-38125-211/J-35616-64B (L-BU)

- | Pin: 2
- | Terminal/Tray: IL-AG5-C1-5000/20
- | Core/Insulation Crimp: K/K
- | Release Tool/Test Probe: J-38125-211/J-35616-64B (L-BU)

Remote Control Door Lock Receiver (RCDLR)

Pin	Wire Color	Circuit No.	Function
1	0.5 OG/WH	1840	Battery Positive Voltage
2	0.35 D-GN	5060	Low Speed GMLAN Serial Data
3	--	--	Not Used
4	0.5 BK	1650	Ground

Seat Adjuster Switch - Driver



Connector Part Information

- | OEM: 175964-2
- | Service: See Catalog
- | Description: 8-Way F (WH)

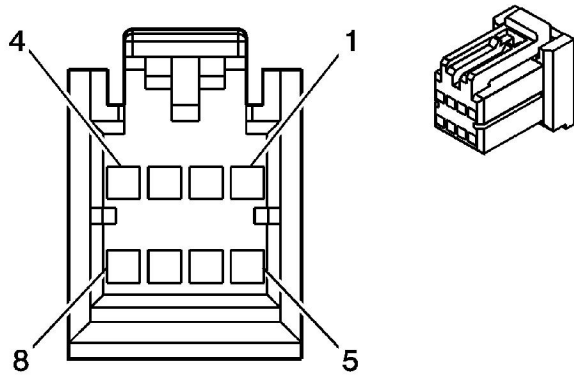
Terminal Part Information

- | Terminal/Tray: See Terminal Repair Kit
- | Core/Insulation Crimp: See Terminal Repair Kit
- | Release Tool/Test Probe: See Terminal Repair Kit

Seat Adjuster Switch - Driver

Pin	Wire Color	Circuit No.	Function
1	2 BN	282	Driver Seat Rear Vertical Motor Up Control
2	2 D-BU	287	Driver Seat Front Vertical Motor Down Control
3	2 D-GN/YE	286	Driver Seat Front Vertical Motor Up Control
4	2 D-BU/RD	283	Driver Seat Rear Vertical Motor Down Control
5	2 GY/RD	284	Driver Seat Horizontal Motor Rearward Control (AJ6)
6	2 RD	1140	Battery Positive Voltage
7	2 BK	2050	Ground
8	2 GY	285	Driver Seat Horizontal Motor Forward Control (AJ6)

Seat Adjuster Switch - Passenger



Connector Part Information

- | OEM: 175964-2
- | Service: See Catalog
- | Description: 8-Way F (WH)

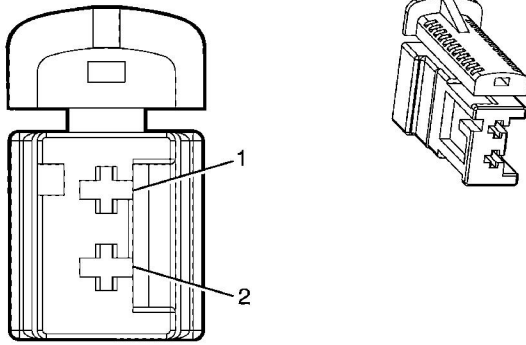
Terminal Part Information

- | Terminal/Tray: See Terminal Repair Kit
- | Core/Insulation Crimp: See Terminal Repair Kit
- | Release Tool/Test Probe: See Terminal Repair Kit

Seat Adjuster Switch - Passenger

Pin	Wire Color	Circuit No.	Function
1	2 D-BU/RD	289	Passenger Seat Rear Vertical Motor Down Control
2	2 D-GN/YE	297	Passenger Seat Front Vertical Motor Up Control
3	2 D-BU	298	Passenger Seat Front Vertical Motor Down Control
4	2 BN	288	Passenger Seat Rear Vertical Motor Up Control
5	2 GY/RD	290	Passenger Seat Horizontal Motor Rearward Control (AQ5)
6	2 RD	1140	Battery Positive Voltage
7	2 BK	1350	Ground
8	2 GY	296	Passenger Seat Horizontal Motor Forward Control (AQ5)

Seat Belt Buckle Pretensioner - Driver



Connector Part Information

- | OEM: 7183-9857-70
- | Service: 15306012
- | Description: 2-Way M 280 Series (YE)

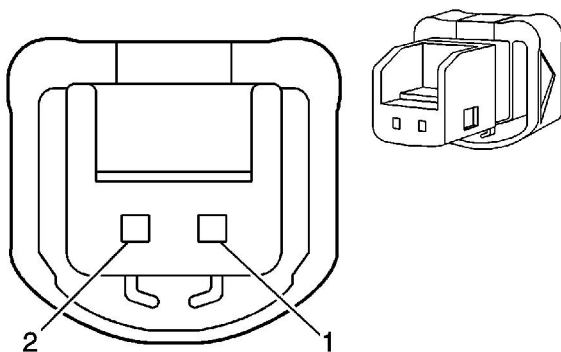
Terminal Part Information

- | Terminal/Tray: See Terminal Repair Kit
- | Core/Insulation Crimp: See Terminal Repair Kit
- | Release Tool/Test Probe: See Terminal Repair Kit

Seat Belt Buckle Pretensioner - Driver

Pin	Wire Color	Circuit No.	Function
1	0.3 BK/WH	2118	Seat Belt Pretensioner - Left - High Control
2	0.3 OG/BK	2119	Seat Belt Pretensioner - Left - Low Control

Seat Belt Retractor Pretensioner - Driver



Connector Part Information

- | OEM: 7283-5494-60

- | Service: See Catalog
- | Description: 2-Way F (GN)

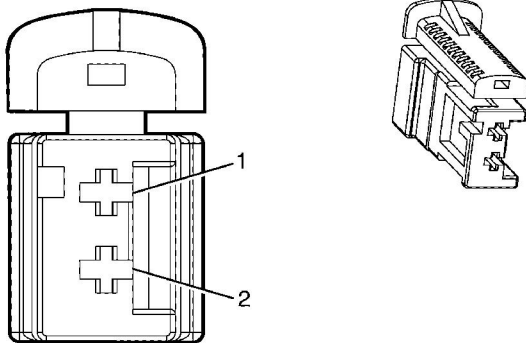
Terminal Part Information

- | Terminal/Tray: 1411560-2/25
- | Core/Insulation Crimp: E/C
- | Release Tool/Test Probe: 12094429/J-35616-64B (L-BU)

Seat Belt Retractor Pretensioner - Driver

Pin	Wire Color	Circuit No.	Function
1	0.3 WH	7206	Driver Seat Belt Pretensioner Retractor - Low Control
2	0.3 OG/GN	7203	Driver Seat Belt Pretensioner Retractor - High Control

Seat Belt Buckle Pretensioner - Passenger



Connector Part Information

- | OEM: 7183-9857-70
- | Service: 15306012
- | Description: 2-Way M 280 Series (YE)

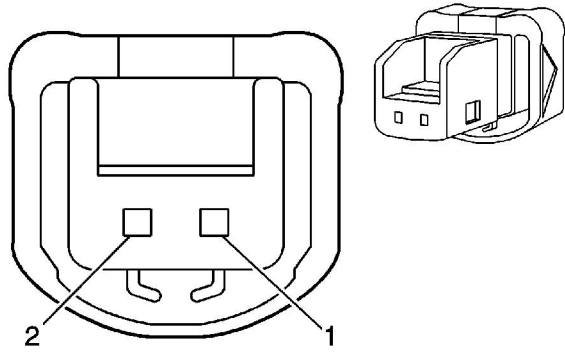
Terminal Part Information

- | Terminal/Tray: See Terminal Repair Kit
- | Core/Insulation Crimp: See Terminal Repair Kit
- | Release Tool/Test Probe: See Terminal Repair Kit

Seat Belt Buckle Pretensioner - Passenger

Pin	Wire Color	Circuit No.	Function
1	0.3 L-GN	2116	Seat Belt Pretensioner - Right - High Control
2	0.3 OG	2117	Seat Belt Pretensioner - Right - Low Control

Seat Belt Retractor Pretensioner - Passenger



Connector Part Information

- | OEM: 7283-5494-60
- | Service: See Catalog
- | Description: 2-Way F (GN)

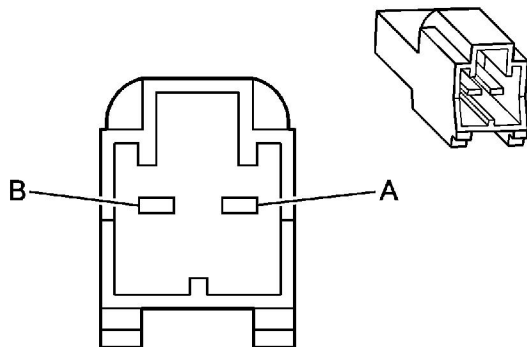
Terminal Part Information

- | Terminal/Tray: 1411560-2/25
- | Core/Insulation Crimp: E/C
- | Release Tool/Test Probe: 12094429/J-35616-64B (L-BU)

Seat Belt Retractor Pretensioner - Passenger

Pin	Wire Color	Circuit No.	Function
1	0.3 PU/GN	7205	Passenger Seat Belt Pretensioner Retractor - High Control
2	0.3 OG/BU	7204	Passenger Seat Belt Pretensioner Retractor - Low Control

Seat Belt Switch - Driver



Connector Part Information

- | OEM: H12
- | Service: See Catalog
- | Description: 2-Way M (WH)

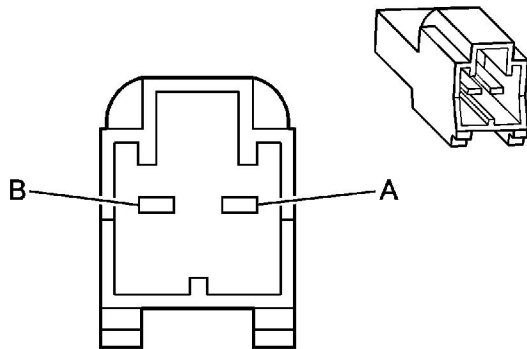
Terminal Part Information

- | Terminal/Tray: See Terminal Repair Kit
- | Core/Insulation Crimp: See Terminal Repair Kit
- | Release Tool/Test Probe: See Terminal Repair Kit

Seat Belt Switch - Driver

Pin	Wire Color	Circuit No.	Function
A	0.3 BK/WH	238	Seat Belt Switch - Right Front
B	0.3 BK	1363	Seat Belt Switch - Left - Low Reference

Seat Belt Switch - Passenger



Connector Part Information

- | OEM: H12
- | Service: See Catalog
- | Description: 2-Way F (WH)

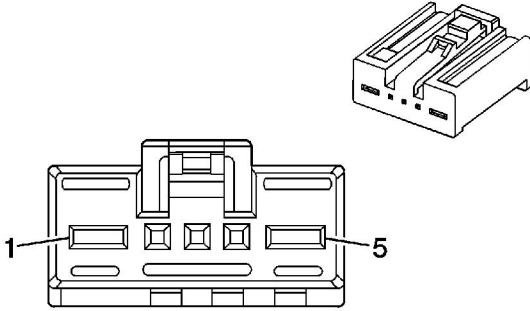
Terminal Part Information

- | Terminal/Tray: See Terminal Repair Kit
- | Core/Insulation Crimp: See Terminal Repair Kit
- | Release Tool/Test Probe: See Terminal Repair Kit

Seat Belt Switch - Passenger

Pin	Wire Color	Circuit No.	Function
A	0.3 BK/WH	1362	Seat Belt Switch - Right - Signal
B	0.3 BK	1363	Seat Belt Switch - Left - Low Reference

Seat Front Vertical Motor - Driver



Connector Part Information

- | OEM: 1379218
- | Service: See Catalog
- | Description: 5-Way F (BK)

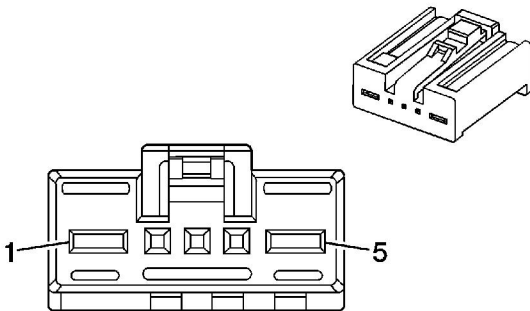
Terminal Part Information

- | Terminal/Tray: See Terminal Repair Kit
- | Core/Insulation Crimp: See Terminal Repair Kit
- | Release Tool/Test Probe: See Terminal Repair Kit

Seat Front Vertical Motor - Driver

Pin	Wire Color	Circuit No.	Function
1	2 D-GN/YE	286	Driver Seat Front Vertical Motor Up Control
2-4	--	--	Not Used
5	2 D-BU	287	Driver Seat Front Vertical Motor Down Control

Seat Front Vertical Motor - Passenger



Connector Part Information

- | OEM: 1379218
- | Service: See Catalog
- | Description: 5-Way F (BK)

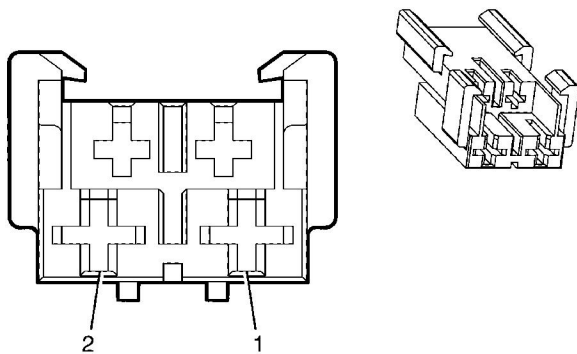
Terminal Part Information

- | Terminal/Tray: See Terminal Repair Kit
- | Core/Insulation Crimp: See Terminal Repair Kit
- | Release Tool/Test Probe: See Terminal Repair Kit

Seat Front Vertical Motor - Passenger

Pin	Wire Color	Circuit No.	Function
1	2 D-GN/YE	297	Passenger Seat Front Vertical Motor Up Control
2-4	--	--	Not Used
5	2 D-BU	298	Passenger Seat Front Vertical Motor Down Control

Seat Horizontal Motor - Driver (AJ6)



Connector Part Information

- | OEM: 968182
- | Service: See Catalog
- | Description: 2-Way F (BK)

Terminal Part Information

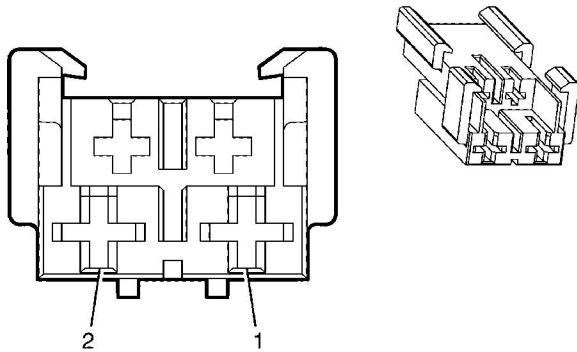
- | Terminal/Tray: See Terminal Repair Kit
- | Core/Insulation Crimp: See Terminal Repair Kit
- | Release Tool/Test Probe: See Terminal Repair Kit

Seat Horizontal Motor - Driver (AJ6)

Pin	Wire Color	Circuit No.	Function
1	2 GY	285	Driver Seat Horizontal Motor Forward Control

2	2 GY/RD	284	Driver Seat Horizontal Motor Rearward Control
---	---------	-----	---

Seat Horizontal Motor - Passenger (AQ5)



Connector Part Information

- | OEM: 968182
- | Service: See Catalog
- | Description: 2-Way F (BK)

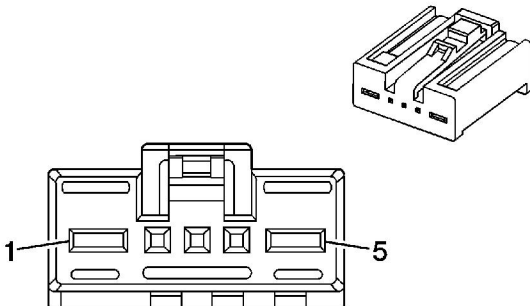
Terminal Part Information

- | Terminal/Tray: See Terminal Repair Kit
- | Core/Insulation Crimp: See Terminal Repair Kit
- | Release Tool/Test Probe: See Terminal Repair Kit

Seat Horizontal Motor - Passenger (AQ5)

Pin	Wire Color	Circuit No.	Function
1	2 GY	296	Passenger Seat Horizontal Motor Forward Control
2	2 GY/RD	290	Passenger Seat Horizontal Motor Rearward Control

Seat Rear Vertical Motor - Driver





Connector Part Information

- | OEM: 1379218
- | Service: See Catalog
- | Description: 5-Way F (WH)

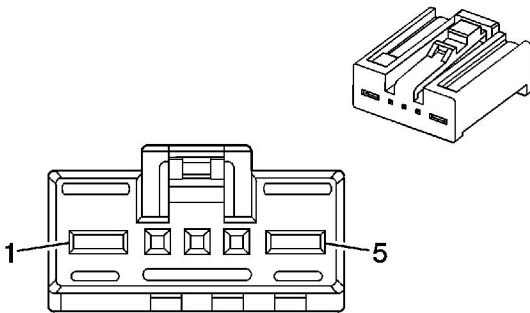
Terminal Part Information

- | Terminal/Tray: See Terminal Repair Kit
- | Core/Insulation Crimp: See Terminal Repair Kit
- | Release Tool/Test Probe: See Terminal Repair Kit

Seat Rear Vertical Motor - Driver

Pin	Wire Color	Circuit No.	Function
1	2 BN	282	Driver Seat Rear Vertical Motor Up Control
2-4	--	--	Not Used
5	2 D-BU/RD	283	Driver Seat Rear Vertical Motor Down Control

Seat Rear Vertical Motor - Passenger



Connector Part Information

- | OEM: 1379218
- | Service: See Catalog
- | Description: 5-Way F (WH)

Terminal Part Information

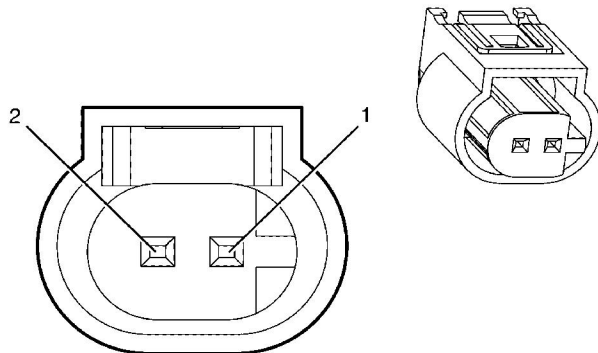
- | Terminal/Tray: See Terminal Repair Kit
- | Core/Insulation Crimp: See Terminal Repair Kit
- | Release Tool/Test Probe: See Terminal Repair Kit

Seat Rear Vertical Motor - Passenger

--	--	--	--

Pin	Wire Color	Circuit No.	Function
1	2 BN	288	Passenger Seat Rear Vertical Motor Up Control
2-4	--	--	Not Used
5	2 D-BU/RD	289	Passenger Seat Rear Vertical Motor Down Control

Side Marker Lamp - Left Front



Connector Part Information

- | OEM: 967644-1
- | Service: See Catalog
- | Description: 2-Way F MQS Series Sealed (BK)

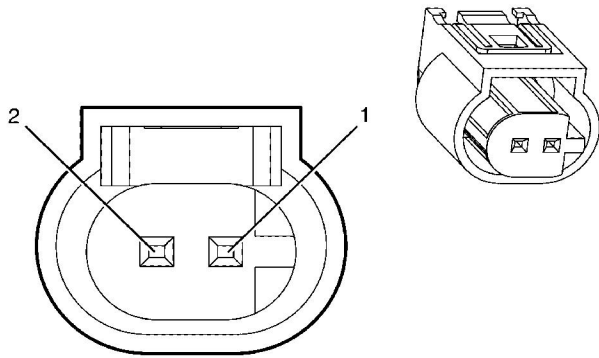
Terminal Part Information

- | Terminal/Tray: See Terminal Repair Kit
- | Core/Insulation Crimp: See Terminal Repair Kit
- | Release Tool/Test Probe: See Terminal Repair Kit

Side Marker Lamp - Left Front

Pin	Wire Color	Circuit No.	Function
1	0.5 BK	350	Ground
2	0.5 PU	309	Left Park Lamp Supply Voltage

Side Marker Lamp - Left Rear



Connector Part Information

- | OEM: 967644-1
- | Service: See Catalog
- | Description: 2-Way F MQS Series Sealed (BK)

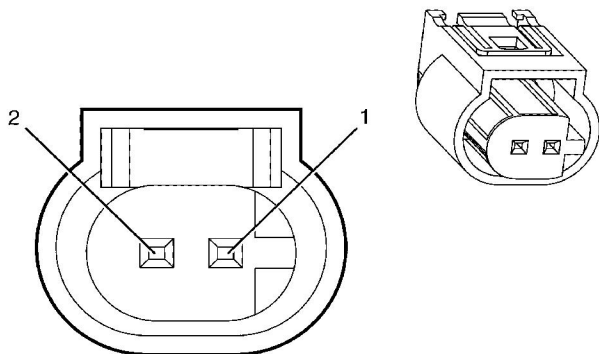
Terminal Part Information

- | Terminal/Tray: See Terminal Repair Kit
- | Core/Insulation Crimp: See Terminal Repair Kit
- | Release Tool/Test Probe: See Terminal Repair Kit

Side Marker Lamp - Left Rear

Pin	Wire Color	Circuit No.	Function
1	0.5 BN	709	Left Park Lamp Supply Voltage
2	0.5 WH	20	Stop Lamp Supply Voltage

Side Marker Lamp - Right Front



Connector Part Information

- | OEM: 967644-1

- | Service: See Catalog
- | Description: 2-Way F MOS Series Sealed (BK)

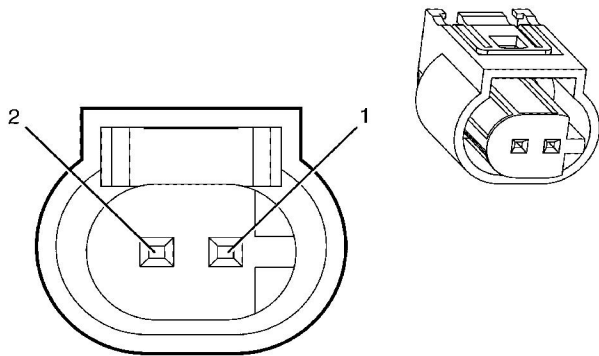
Terminal Part Information

- | Terminal/Tray: See Terminal Repair Kit
- | Core/Insulation Crimp: See Terminal Repair Kit
- | Release Tool/Test Probe: See Terminal Repair Kit

Side Marker Lamp - Right Front

Pin	Wire Color	Circuit No.	Function
1	0.5 BK	350	Ground
2	0.5 BN/WH	709	Right Park Lamp Supply Voltage

Side Marker Lamp - Right Rear



Connector Part Information

- | OEM: 967644-1
- | Service: See Catalog
- | Description: 2-Way F MOS Series Sealed (BK)

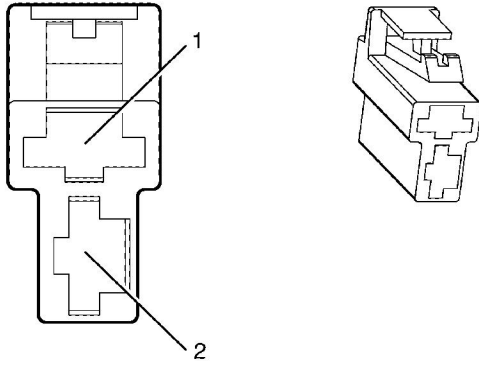
Terminal Part Information

- | Terminal/Tray: See Terminal Repair Kit
- | Core/Insulation Crimp: See Terminal Repair Kit
- | Release Tool/Test Probe: See Terminal Repair Kit

Side Marker Lamp - Right Rear

Pin	Wire Color	Circuit No.	Function
1	0.5 BN	309	Right Park Lamp Supply Voltage
2	0.5 WH	20	Stop Lamp Supply Voltage

Speaker - Center I/P X1 (-UWP)



Connector Part Information

- | OEM: 7123-2825
- | Service: See Catalog
- | Description: 2-Way F (WH)

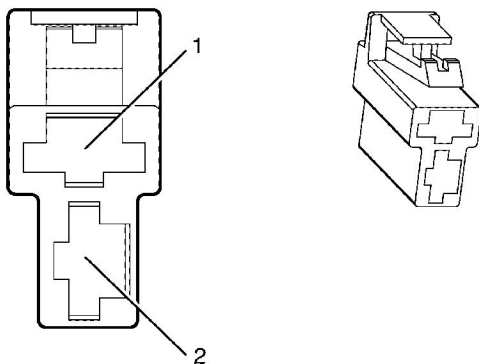
Terminal Part Information

- | Terminal/Tray: 7116-2640-02/12
- | Core/Insulation Crimp: C/B
- | Release Tool/Test Probe: 12094430/J-35616-42 (RD)

Speaker - Center I/P X1 (-UWP)

Pin	Wire Color	Circuit No.	Function
1	0.5 GY	118	Left Front Speaker Output (-)
2	0.5 BN	201	Left Front Speaker Output (+)

Speaker - Center I/P X2 (-UWP)



Connector Part Information

- | OEM: 7123-2825
- | Service: See Catalog
- | Description: 2-Way F (WH)

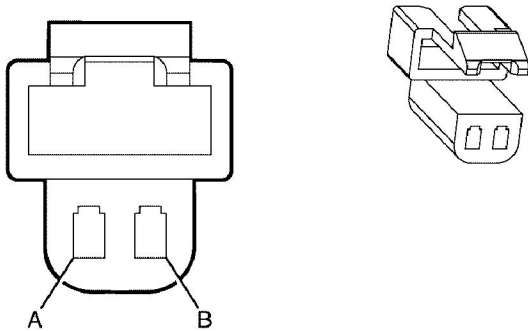
Terminal Part Information

- | Terminal/Tray: 7116-2640-02/12
- | Core/Insulation Crimp: C/B
- | Release Tool/Test Probe: 12094430/J-35616-42 (RD)

Speaker - Center I/P X2 (-UWP)

Pin	Wire Color	Circuit No.	Function
1	0.5 D-GN	117	Right Front Speaker Output (-)
2	0.5 L-GN	200	Right Front Speaker Output (+)

Speaker - Center I/P (UWP)



Connector Part Information

- | OEM: 7123-2825
- | Service: See Catalog
- | Description: 2-Way F

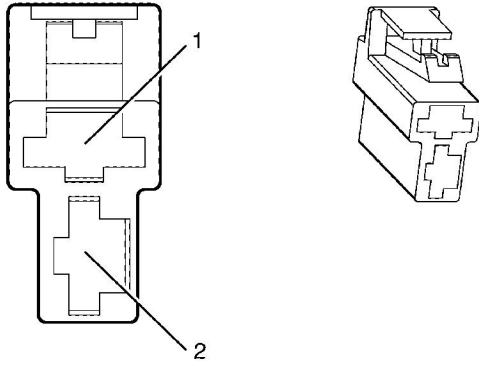
Terminal Part Information

- | Terminal/Tray: 7116-2640-02/12
- | Core/Insulation Crimp: C/B
- | Release Tool/Test Probe: 12094430/J-35616-42 (RD)

Speaker - Center I/P (UWP)

Pin	Wire Color	Circuit No.	Function
A	0.5 L-BU	1960	Front Center Speaker Output (-)
B	0.5 OG	1860	Front Center Speaker Output (+)

Speaker - Left Front



Connector Part Information

- | OEM: 7123-2825
- | Service: See Catalog
- | Description: 2-Way F (WH)

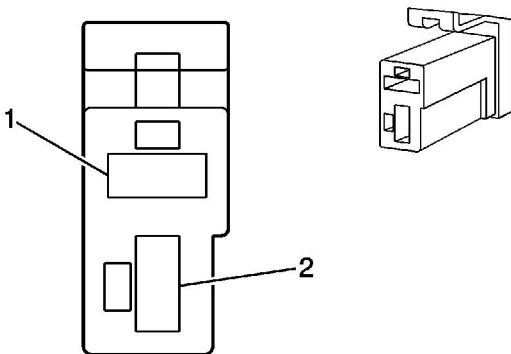
Terminal Part Information

- | Terminal/Tray: 7116-2640-02/12
- | Core/Insulation Crimp: C/B
- | Release Tool/Test Probe: 12094430/J-35616-42 (RD)

Speaker - Left Front

Pin	Wire Color	Circuit No.	Function
1	0.5 GY	118	Left Front Speaker Output (-)
2	0.5 BN	201	Left Front Speaker Output (+)

Speaker - Left Front Tweeter



- | OEM: 7183-0695-30
- | Service: See Catalog

- | Description: 2-Way F (BK)

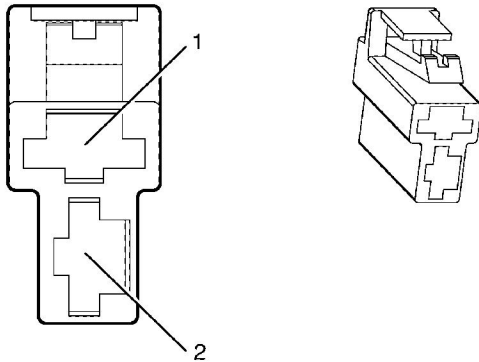
Terminal Part Information

- | Terminal/Tray: 2-964284-1/25
- | Core/Insulation Crimp: E/A
- | Release Tool/Test Probe: 12093647/J-35616-4A (PU)

Speaker - Left Front Tweeter

Pin	Wire Color	Circuit No.	Function
1	0.5 BN	201	Left Front Speaker Output (+)
2	0.5 GY	118	Left Front Speaker Output (-)

Speaker - Left Rear



Connector Part Information

- | OEM: 7123-2825
- | Service: See Catalog
- | Description: 2-Way F (WH)

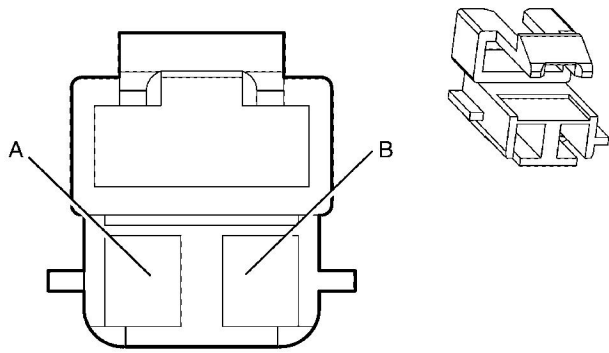
Terminal Part Information

- | Terminal/Tray: 7116-2640-02/12
- | Core/Insulation Crimp: C/B
- | Release Tool/Test Probe: 12094430/J-35616-42 (RD)

Speaker - Left Rear

Pin	Wire Color	Circuit No.	Function
1	0.5 YE/RD	116	Left Rear Speaker Output (-)
2	0.5 BN	199	Left Rear Speaker Output (+)

Speaker - Left Subwoofer (UWP)



Connector Part Information

- | OEM: 7283-1020
- | Service: See Catalog
- | Description: 2-Way F 090 II Series (NA)

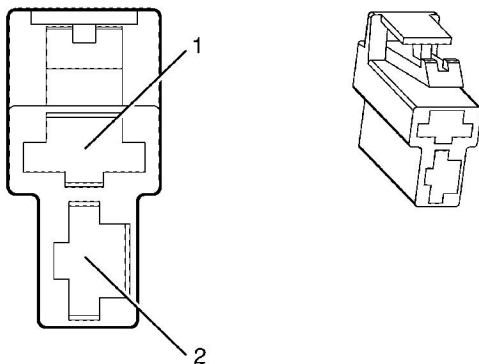
Terminal Part Information

- | Terminal/Tray: 7116-4021/11
- | Core/Insulation Crimp: 2/A
- | Release Tool/Test Probe: 15315247/J-35616-18 (BK)

Speaker - Left Subwoofer (UWP)

Pin	Wire Color	Circuit No.	Function
A	1.25 D-BU/WH	346	Left Rear Subwoofer Speaker Output (+)
B	1.25 L-GN/BK	1794	Left Rear Subwoofer Speaker Output (-)

Speaker - Right Front



Connector Part Information

- | OEM: 7123-2825

- | Service: See Catalog
- | Description: 2-Way F (WH)

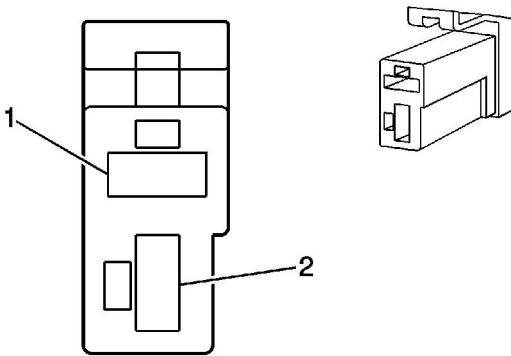
Terminal Part Information

- | Terminal/Tray: 2-964284-1/25
- | Core/Insulation Crimp: E/A
- | Release Tool/Test Probe: 12093647/J-35616-4A (PU)

Speaker - Right Front

Pin	Wire Color	Circuit No.	Function
1	0.5 D-GN	200	Right Front Speaker Output (+)
2	0.5 L-GN	117	Right Front Speaker Output (-)

Speaker - Right Front Tweeter



- | OEM: 7183-0695-30
- | Service: See Catalog
- | Description: 2-Way F (BK)

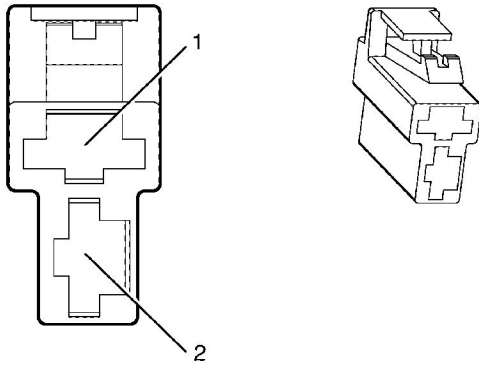
Terminal Part Information

- | Terminal/Tray: 2-964284-1/25
- | Core/Insulation Crimp: E/A
- | Release Tool/Test Probe: 12093647/J-35616-4A (PU)

Speaker - Right Front Tweeter

Pin	Wire Color	Circuit No.	Function
A	0.5 L-GN	200	Right Front Speaker Output (+)
B	0.5 D-GN	117	Right Front Speaker Output (-)

Speaker - Right Rear



- | OEM: 7123-2825
- | Service: See Catalog
- | Description: 2-Way F (WH)

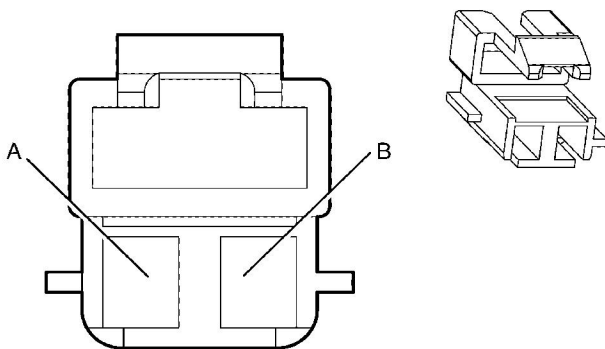
Terminal Part Information

- | Terminal/Tray: 7116-2640-02/12
- | Core/Insulation Crimp: C/B
- | Release Tool/Test Probe: 12094430/J-35616-42 (RD)

Speaker - Right Rear

Pin	Wire Color	Circuit No.	Function
A	0.5 L-BU	115	Right Rear Speaker Output (-)
B	0.5 D-BU	46	Right Rear Speaker Output (+)

Speaker - Right Subwoofer (UWP)



- | OEM: 7283-1020
- | Service: See Catalog
- | Description: 2-Way F 090 II Series (NA)

Terminal Part Information

- | Terminal/Tray: 7116-4021/11
- | Core/Insulation Crimp: 2/A
- | Release Tool/Test Probe: 15315247/J-35616-18 (BK)

Speaker - Right Subwoofer (UWP)

Pin	Wire Color	Circuit No.	Function
A	1.25 D-GN	1795	Right Rear Subwoofer Speaker Output (+)
B	1.25 L-BU/BK	315	Right Rear Subwoofer Speaker Output (-)

Starter Motor X1

Terminal Part Information

- | Terminal: 7009-1333-02
- | Core/Insulation Crimp: N/A
- | Description: Ring Terminal

Starter Motor X1

Pin	Wire Color	Circuit No.	Function
A	3 PU	6	Starter Solenoid Crank Voltage

Starter Motor X2

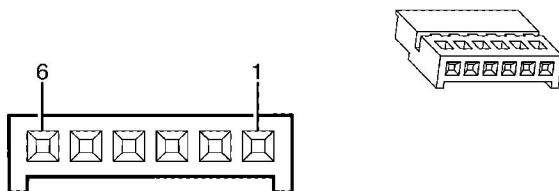
Terminal Part Information

- | Terminal: 7003-2601
- | Core/Insulation Crimp: N/A
- | Description: Ring Terminal

Starter Motor X2

Pin	Wire Color	Circuit No.	Function
A	3 RD	1	Battery Voltage

Steering Angle Sensor





- | OEM: 7282-7166
- | Service: See Catalog
- | Description: 6-Way F (BK)

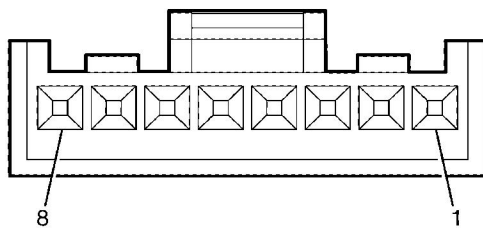
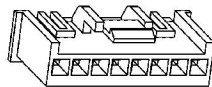
Terminal Part Information

- | Terminal/Tray: 7114-4020/10
- | Core/Insulation Crimp: E/C
- | Release Tool/Test Probe: 15315247/J-35616-19 (BK)

Steering Angle Sensor

Pin	Wire Color	Circuit No.	Function
1	0.5 PU	2501	High Speed GMLAN Serial Data Bus (-)
2	0.5 D-BU	2501	High Speed GMLAN Serial Data Bus (-)
3	0.5 GY	2500	High Speed GMLAN Serial Data Bus (+)
4	0.5 BN	2500	High Speed GMLAN Serial Data Bus (+)
5	0.5 L-GN	5986	Communication Enable Relay Supply Voltage
6	0.5 OG	2088	Steering Wheel Position Sensor Low Reference

Steering Wheel Controls Switch Assembly



- | OEM: XMR-08V
- | Service: See Catalog
- | Description: 8-Way F (WH)

Terminal Part Information

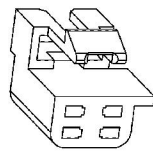
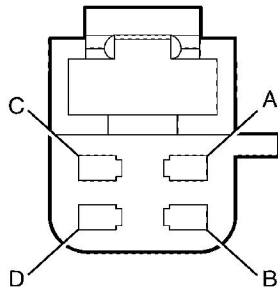
- | Terminal/Tray: See Terminal Repair Kit
- | Core/Insulation Crimp: See Terminal Repair Kit
- | Release Tool/Test Probe: See Terminal Repair Kit

Steering Wheel Controls Switch Assembly

Pin	Wire Color	Circuit No.	Function
-----	------------	-------------	----------

1	0.3 GY/BU	7367	Right Steering Wheel Scroll 2
2	0.3 YE	7364	Right Steering Wheel Scroll 1
3	0.3 BN	7312	Left Steering Wheel Scroll 1
4	0.3 L-BU	7313	Left Steering Wheel Scroll 2
5	0.3 D-GN	897	Steering Wheel Controls Low Reference
6	0.3 OG/BK	5201	Steering Wheel Controls Signal
7	0.3 BK/WH	1551	Ground
8	0.3 PU	7005	I/P Dimming Control

Sunload Sensor (CJ2)



Connector Part Information

- | OEM: 7123-9843-30
- | Service: 12085208
- | Description: 4-Way F

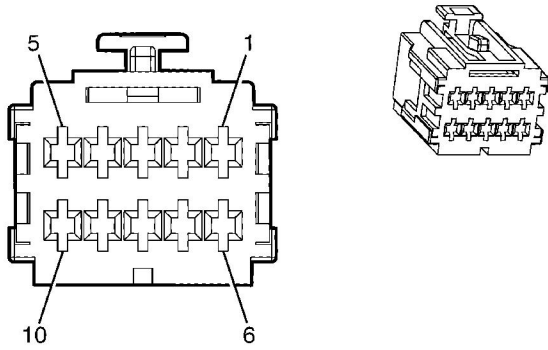
Terminal Part Information

- | Terminal/Tray: 12064971/5
- | Core/Insulation Crimp: E/C
- | Release Tool/Test Probe: 12094429/J-35616-14 (GN)

Sunload Sensor (CJ2)

Pin	Wire Color	Circuit No.	Function
A	0.3 L-BU/BK	7425	Left Solar Sensor
B	0.3 GY	7424	Right Solar Sensor
C	0.3 BN	61	Low Reference
D	0.3 L-GN/BK	1137	DRL Ambient Light Sensor Signal

Sunroof Control Module (CF5)



- | OEM: 18101EV
- | Service: See Catalog
- | Description: 10-Way F

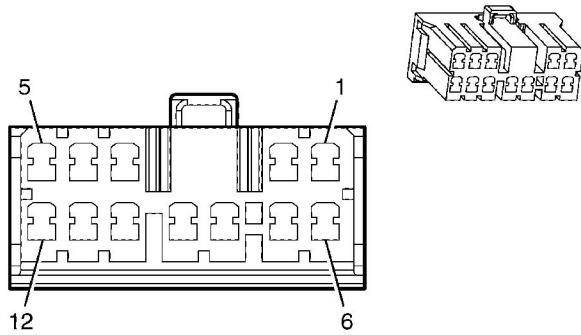
Terminal Part Information

- | Terminal/Tray: See Terminal Repair Kit
- | Core/Insulation Crimp: See Terminal Repair Kit
- | Release Tool/Test Probe: See Terminal Repair Kit

Sunroof Control Module (CF5)

Pin	Wire Color	Circuit No.	Function
1	1.25 BK	850	Ground
2	0.3 D-GN	5027	Sunroof Switch - Data 1
3	0.3 YE	5028	Sunroof Switch - Data 2
4	0.3 OG	5029	Sunroof Switch - Data 3
5	0.3 WH	5030	Sunroof Switch - Data 4
6	1.25 OG/BU	3040	Battery Voltage Supply
7-8	--	--	Not Used
9	0.5 YE	443	Ignition Voltage 1
10	--	--	Not Used

Sunroof Switch (CF5)



- | OEM: 49901221
- | Service: 88953365
- | Description: 6-Way F 0.635 Series (BK)

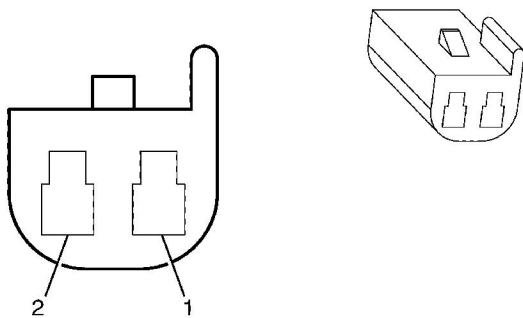
Terminal Part Information

- | Terminal/Tray: See Terminal Repair Kit
- | Core/Insulation Crimp: See Terminal Repair Kit
- | Release Tool/Test Probe: See Terminal Repair Kit

Sunroof Switch (CF5)

Pin	Wire Color	Circuit No.	Function
1	0.5 BK	850	Ground
2	0.3 D-GN	5027	Sunroof Switch - Data 1
3	0.3 YE	5028	Sunroof Switch - Data 2
4	--	--	Not Used
5	0.3 OG	5029	Sunroof Switch - Data 3
6	0.3 WH	5030	Sunroof Switch - Data 4

Sunshade - Left



- | OEM: 12047662
- | Service: See Catalog
- | Description: 2-Way F (BK)

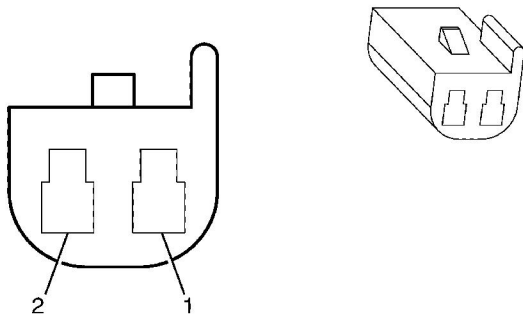
Terminal Part Information

- | Terminal/Tray: See Terminal Repair Kit
- | Core/Insulation Crimp: See Terminal Repair Kit
- | Release Tool/Test Probe: See Terminal Repair Kit

Sunshade - Left

Pin	Wire Color	Circuit No.	Function
1	0.5 BK/WH	851	Ground
2	0.5 OG	1732	Courtesy Lamps Supply Voltage

Sunshade - Right



- | OEM: 12047662
- | Service: See Catalog
- | Description: 2-Way F (BK)

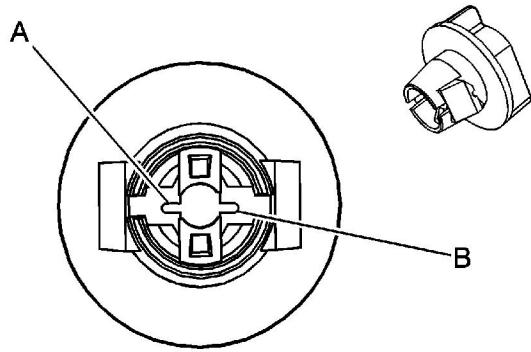
Terminal Part Information

- | Terminal/Tray: See Terminal Repair Kit
- | Core/Insulation Crimp: See Terminal Repair Kit
- | Release Tool/Test Probe: See Terminal Repair Kit

Sunshade - Right

Pin	Wire Color	Circuit No.	Function
1	0.5 BK/WH	851	Ground
2	0.5 OG	1732	Courtesy Lamps Supply Voltage

Tail/Stop Lamp - Left



- | OEM: 1012404
- | Service: See Catalog
- | Description: 4-Way Bulb Socket (BK)

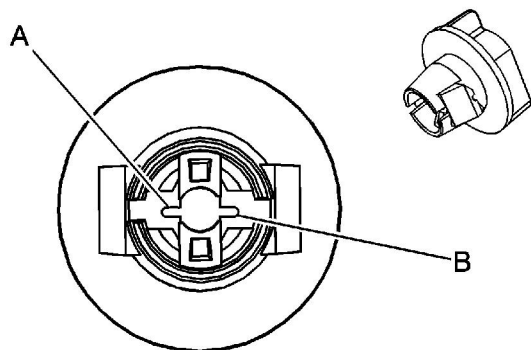
Terminal Part Information

- | Terminal/Tray: See Terminal Repair Kit
- | Core/Insulation Crimp: See Terminal Repair Kit
- | Release Tool/Test Probe: See Terminal Repair Kit

Tail/Stop Lamp - Left

Pin	Wire Color	Circuit No.	Function
1	0.5 RD	1851	Ground
2	--	--	Not Used
3	0.5 BN	709	Left Park Lamp Supply Voltage
4	0.5 WH	20	Stop Lamp Supply Voltage

Tail/Stop Lamp - Right



- | OEM: 1012404
- | Service: See Catalog
- | Description: 4-Way Bulb Socket (BK)

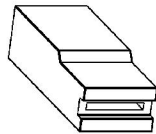
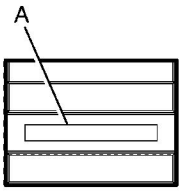
Terminal Part Information

- | Terminal/Tray: See Terminal Repair Kit
- | Core/Insulation Crimp: See Terminal Repair Kit
- | Release Tool/Test Probe: See Terminal Repair Kit

Tail/Stop Lamp - Right

Pin	Wire Color	Circuit No.	Function
1	0.5 RD	1851	Ground
2	--	--	Not Used
3	0.5 BN	309	Right Park Lamp Supply Voltage
4	0.5 WH	20	Stop Lamp Supply Voltage

Theft Deterrent Alarm Siren X1



- | OEM: 7183-0073-30
- | Service: See Catalog
- | Description: 1-Way F (BK)

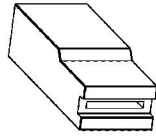
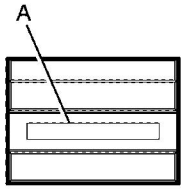
Terminal Part Information

- | Terminal/Tray: See Terminal Repair Kit
- | Core/Insulation Crimp: See Terminal Repair Kit
- | Release Tool/Test Probe: See Terminal Repair Kit

Theft Deterrent Alarm Siren X1

Pin	Wire Color	Circuit No.	Function
A	0.75 D-GN	1149	Content Theft Horn Control

Theft Deterrent Alarm Siren X2



- | OEM: 7183-0073-30
- | Service: See Catalog
- | Description: 1-Way F (BK)

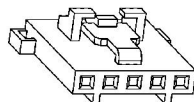
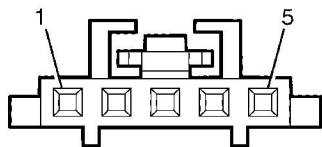
Terminal Part Information

- | Terminal/Tray: See Terminal Repair Kit
- | Core/Insulation Crimp: See Terminal Repair Kit
- | Release Tool/Test Probe: See Terminal Repair Kit

Theft Deterrent Alarm Siren X2

Pin	Wire Color	Circuit No.	Function
A	0.75 BK	350	Ground

Theft Deterrent Module (TDM)



- | OEM: 7183-2179-30
- | Service: See Catalog
- | Description: 5-Way F (BK)

Terminal Part Information

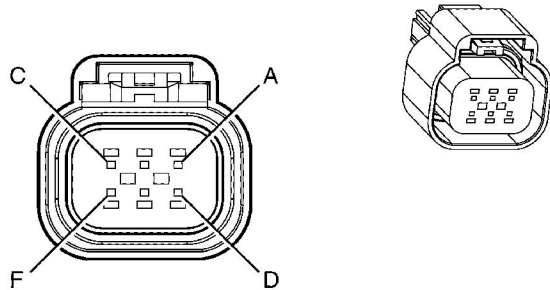
- | Terminal/Tray: 16-02-1110/20

- | Core/Insulation Crimp: H/H
- | Release Tool/Test Probe: J-38125-213/J-35616-64B (L-BU)

Theft Deterrent Module (TDM)

Pin	Wire Color	Circuit No.	Function
1	0.3 OG/BK	1040	Battery Positive Voltage
2	0.3 BN	4	Ignition 1 Voltage
3	0.3 BK	850	Ground
4	--	--	Not Used
5	0.35 D-GN	9206	Low Speed GMLAN Serial Data

Throttle Body



- | OEM: 7283-3529-30
- | Service: 19115594
- | Description: 6-Way F (BK)

Terminal Part Information

- | Pins: A, B
- | Terminal/Tray: See Terminal Repair Kit
- | Core/Insulation Crimp: See Terminal Repair Kit
- | Release Tool/Test Probe: See Terminal Repair Kit

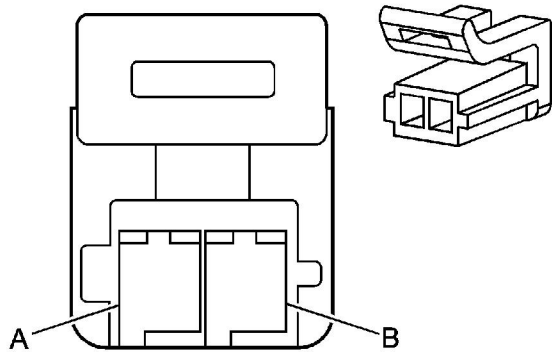
- | Pins: C-F
- | Terminal/Tray: 15326427/5
- | Core/Insulation Crimp: E/A
- | Release Tool/Test Probe: 15315247/J-35616-2A (GY)

Throttle Body

Pin	Wire Color	Circuit No.	Function
A	0.75 BN	582	TAC Motor Control - 2
B	0.75 YE	581	TAC Motor Control - 1
C	0.5 BN/BK	2752	Low Reference

D	0.5 D-GN	485	TP Sensor 1 Signal
E	0.5 GY	2701	5-Volt Reference
F	0.5 PU	486	TP Sensor 2 Signal

Torque Converter Clutch (TCC) Pulse Width Modulation (PWM) Solenoid Valve



Connector Part Information

- | OEM: 12162202
- | Service: See Catalog
- | Description: 2-Way F Metri-Pack 150.2 Series, Pull To Seat (BU)

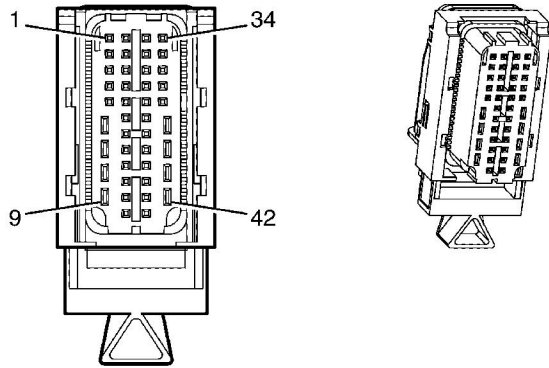
Terminal Part Information

- | Terminal/Tray: See Terminal Repair Kit
- | Core/Insulation Crimp: See Terminal Repair Kit
- | Release Tool/Test Probe: See Terminal Repair Kit

Torque Converter Clutch (TCC) Pulse Width Modulation (PWM) Solenoid Valve

Pin	Wire Color	Circuit No.	Function
A	0.5 YE	418	TCC PWM Solenoid Valve Control
B	0.5 WH	1525	Clutch Pressure Control Solenoid Valve 1 High Control

Transmission Control Module (TCM) (M82)



- | OEM: 7283-2687-30
- | Service: See Catalog
- | Description: 42-Way F (BK)

Terminal Part Information

- | Pins: 1-5, 10, 11, 15, 18-21, 24-26, 29-33, 36-38
- | Terminal/Tray: 2-1411578-2/15
- | Core/Insulation Crimp: 7/7
- | Release Tool/Test Probe: 12094429/J-35616-64B (L-BU)

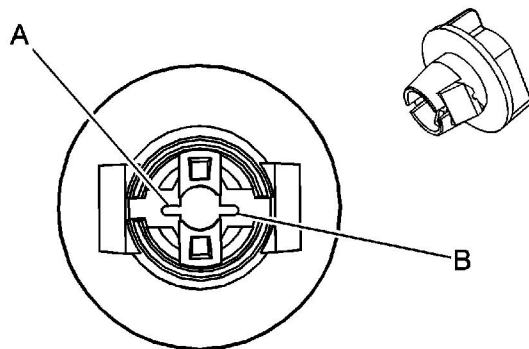
- | Pins: 6, 8, 9
- | Terminal/Tray: 1-1411593-1/15
- | Core/Insulation Crimp: E/1
- | Release Tool/Test Probe: 15315247/J-35616-4A (PU)

Transmission Control Module (TCM) (M82)

Pin	Wire Color	Circuit No.	Function
1	0.5 L-GN/BK	822	VSS Low Signal
2	0.5 PU/WH	821	VSS High Signal
3	0.5 OG/BK	1228	PC Solenoid Valve High Control
4	0.5 BN	418	TCC PWM Solenoid Valve Control
5	0.5 D-BU	5985	Accessory Wakeup Serial Data
6	0.75 BK	450	Ground
7	--	--	Not Used
8	0.75 OG	1525	Clutch Pressure Control Solenoid Valve 1 High Control
9	0.75 PK	439	Ignition 1 Voltage
10	0.5 OG	1983	Transmission Turbine Speed Switch Signal
11	0.5 L-BU	1984	Transmission Turbine Speed Switch Low Reference
12-14	--	--	Not Used
15	0.5 YE/BK	1227	TFT Sensor Signal
16-17	--	--	Not Used
18	0.5 YE/BK	1223	Shift Solenoid B Valve Control
19	0.5 WH	898	Shift Solenoid Valve 3 High Control

20	0.5 BN/BK	9002	High Speed GMLAN Serial Data Bus+
21	0.5 BN	9003	High Speed GMLAN Serial Data Bus-
22-23	--	--	Not Used
24	0.5 YE	772	Transmission Range Switch Signal B
25	0.5 GY	773	Transmission Range Switch Signal C
26	0.5 BN/WH	2762	Low Reference
27	0.75 OG/YE	3640	Battery Positive Voltage
28	--	--	Not Used
29	0.5 L-BU/WH	1229	PC Solenoid Valve Low Control
30	0.5 L-GN	1222	Shift Solenoid A Valve Control
31	--	--	Not Used
32	0.5 BN/BK	9004	High Speed GMLAN Serial Data Bus+
33	0.5 BN	9005	High Speed GMLAN Serial Data Bus-
34-35	--	--	Not Used
36	0.5 BN/YE	771	Transmission Range Switch Signal A
37	0.5 WH	776	Transmission Range Switch Signal P
38	0.5 WH/BU	17	Stop Lamp Switch Signal
39-42	--	--	Not Used

Turn Signal Lamp - Left Rear



Connector Part Information

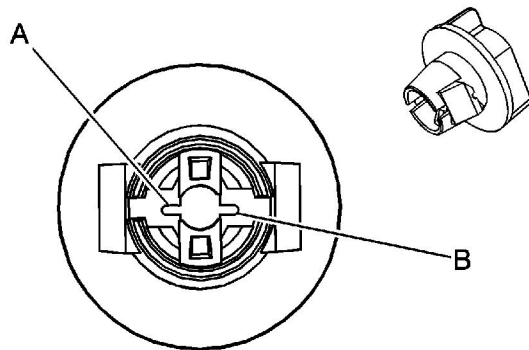
- | OEM: 1012404
- | Service: See Catalog
- | Description: 2-Way Bulb Socket (WH)

Terminal Part Information

- | Terminal/Tray: See Terminal Repair Kit
- | Core/Insulation Crimp: See Terminal Repair Kit
- | Release Tool/Test Probe: See Terminal Repair Kit

Turn Signal Lamp - Left Rear

Pin	Wire Color	Circuit No.	Function
1	0.85 D-BU	1334	Left Turn Signal Lamps Supply Voltage
2	0.85 BK	1850	Ground

Turn Signal Lamp - Right Rear**Connector Part Information**

- | OEM: 1012404
- | Service: See Catalog
- | Description: 2-Way Bulb Socket (WH)

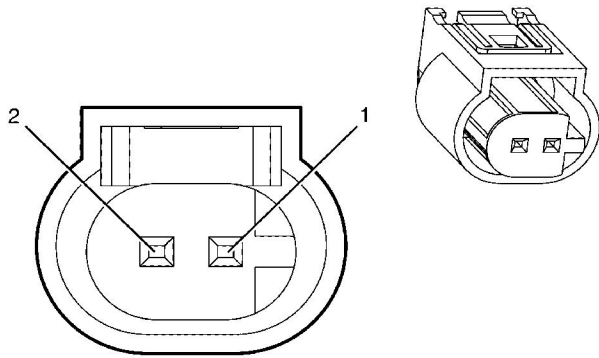
Terminal Part Information

- | Terminal/Tray: See Terminal Repair Kit
- | Core/Insulation Crimp: See Terminal Repair Kit
- | Release Tool/Test Probe: See Terminal Repair Kit

Turn Signal Lamp - Right Rear

Pin	Wire Color	Circuit No.	Function
1	0.85 D-BU	1335	Right Turn Signal Lamps Supply Voltage
2	0.85 BK	1850	Ground

Turn Signal Repeater Lamp - Left



Connector Part Information

- | OEM: 7219-1825-30
- | Service: See Catalog
- | Description: 2-Way F (BK)

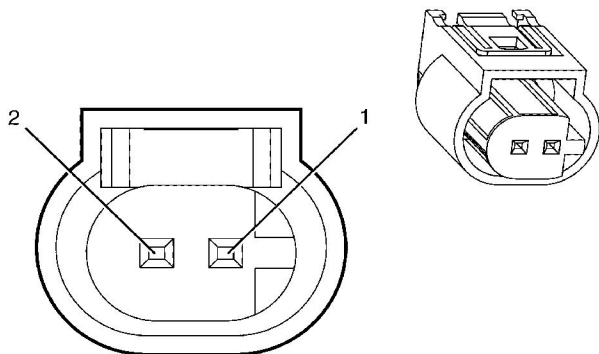
Terminal Part Information

- | Terminal/Tray: 962885-5/15
- | Core/Insulation Crimp: 6/6
- | Release Tool/Test Probe: 12094429/J-35616-64B (L-BU)

Turn Signal Repeater Lamp - Left

Pin	Wire Color	Circuit No.	Function
1	0.5 BK	2050	Ground
2	0.5 YE/BK	1334	Left Rear Turn Signal Lamp Supply Voltage

Turn Signal Repeater Lamp - Right



Connector Part Information

- | OEM: 7219-1825-30

- | Service: See Catalog
- | Description: 2-Way F (BK)

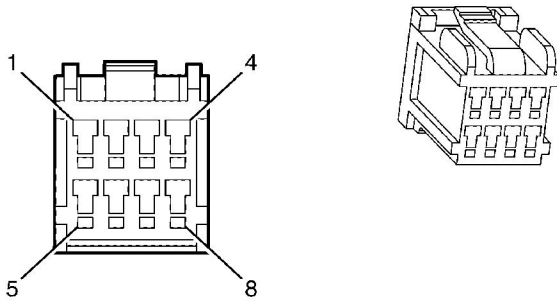
Terminal Part Information

- | Terminal/Tray: 962885-5/15
- | Core/Insulation Crimp: 6/6
- | Release Tool/Test Probe: 12094429/J-35616-64B (L-BU)

Turn Signal Repeater Lamp - Right

Pin	Wire Color	Circuit No.	Function
1	0.5 BK	1350	Ground
2	0.5 D-GN/WH	1335	Right Rear Turn Signal Lamp Supply Voltage

Turn Signal/Multifunction Switch



Connector Part Information

- | OEM: 7123-1685
- | Service: See Catalog
- | Description: 8-Way F 040 Multilock Series (WH)

Terminal Part Information

- | Terminal/Tray: 173681-2/17
- | Core/Insulation Crimp: E/4
- | Release Tool/Test Probe: 15315247/J-35616-16 (L-GN)

Turn Signal/Multifunction Switch

Pin	Wire Color	Circuit No.	Function
1	0.3 BK	850	Ground
2	0.3 BN/RD	1356	Flash To Pass Switch Signal
3	0.3 PU/YE	524	Headlamp Dimmer Switch High Beam Signal
4	0.3 BK	850	Ground
5	0.5 GY	1884	Cruise Control Switch Signal

6	0.3 PU	1375	Steering Wheel Control Supply Voltage
7	0.3 D-BU/WH	1415	Right Front Turn Signal Switch Signal
8	0.3 L-BU/WH	1414	Left Front Turn Signal Switch Signal

Valve Lifter Oil Manifold (VLOM) Assembly



Connector Part Information

- | OEM: 7287-1418
- | Service: See Catalog
- | Description: 5-Way F

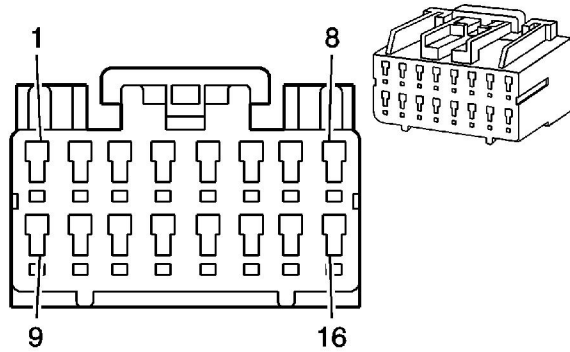
Terminal Part Information

- | Terminal/Tray: 12124075/5
- | Core/Insulation Crimp: E/C
- | Release Tool/Test Probe: 12180559-1/J-35616-14 (GN)

Valve Lifter Oil Manifold (VLOM) Assembly

Pin	Wire Color	Circuit No.	Function
A	0.75 OG	5494	Cylinder Shut Off Solenoid 4
B	0.75 GY	5493	Cylinder Shut Off Solenoid 3
C	0.75 D-BU	5491	Cylinder Shut Off Solenoid 1
D	0.75 D-GN/BK	5492	Cylinder Shut Off Solenoid 2
E	0.75 PK/BU	5293	Ignition 1 Voltage

Vehicle Communication Interface Module (VCIM) X1



Connector Part Information

- | OEM: 7283-1766
- | Service: See Catalog
- | Description: 16-Way F (WH)

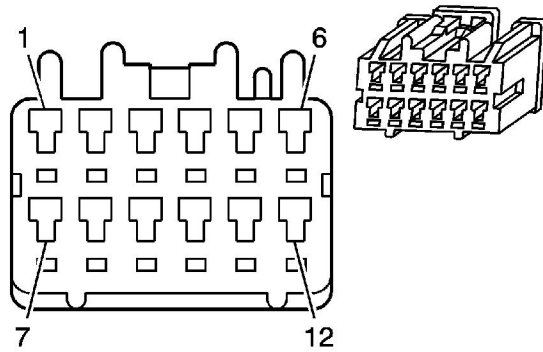
Terminal Part Information

- | Terminal/Tray: 175266-5/15
- | Core/Insulation Crimp: K/K
- | Release Tool/Test Probe: 15315247/J-35616-16 (L-GN)

Vehicle Communication Interface Module (VCIM) X1

Pin	Wire Color	Circuit No.	Function
1	0.35 D-GN	5060	Low Speed GMLAN Serial Data
2	0.3 BN/WH	2517	Keypad Red LED Signal
3	0.3 YE/BK	2516	Keypad Green LED Signal
4-5	--	--	Not Used
6	0.3 L-GN/BK	2515	Keypad Supply Voltage
7	0.5 BK	1050	Ground
8-9	--	--	Not Used
10	0.5 BN/BK	9008	High Speed GMLAN Serial Data Bus+
11	0.3 GN/WH	2514	Keypad Signal
12	0.5 BN	9009	High Speed GMLAN Serial Data Bus-
13	0.5 YE/BK	950	VCIM Battery Low Reference
14	0.5 BN/WH	9940	VCIM Battery Power
15	0.5 OG	3340	Battery Positive Voltage
16	--	--	Not Used

Vehicle Communication Interface Module (VCIM) X2



Connector Part Information

- | OEM: 7283-8621
- | Service: See Catalog
- | Description: 12-Way F (WH)

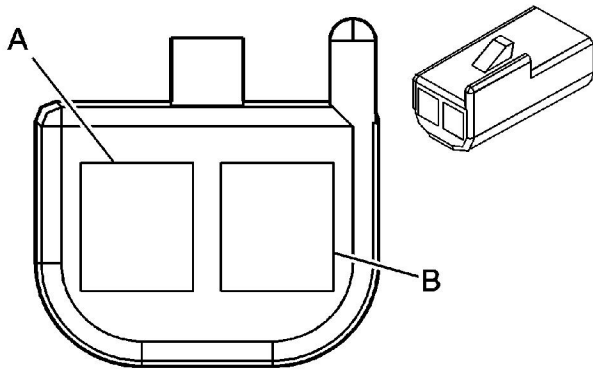
Terminal Part Information

- | Terminal/Tray: 175266-5/15
- | Core/Insulation Crimp: J/J
- | Release Tool/Test Probe: 15315247J-35616-16 (L-GN)

Vehicle Communication Interface Module (VCIM) X2

Pin	Wire Color	Circuit No.	Function
1	0.3 D-BU	658	Cellular Telephone Voice Signal
2	0.3 L-BU	659	Cellular Telephone Voice Low Reference
3	0.5 BN/BK	9010	High Speed GMLAN Serial Data Bus+
4	0.5 BN	9011	High Speed GMLAN Serial Data Bus-
5-7	--	--	Not Used
8	0.5 BK	--	Ground
9	0.3 D-GN	0655	Cellular Microphone Signal
10	0.3 BK	1782	Drain Wire
11	--	--	Not Used
12	0.3 WH	700	Telephone Audio Signal Mute

Vehicle Communication Interface Module (VCIM) Battery



Connector Part Information

- | OEM: 7123-8328-30
- | Service: 12085535
- | Description: 2-Way F (BK)

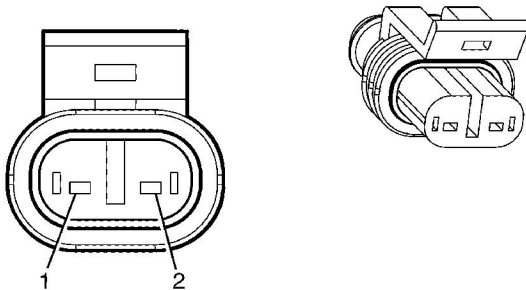
Terminal Part Information

- | Terminal/Tray: 12064971/5
- | Core/Insulation Crimp: E/C
- | Release Tool/Test Probe: 12094429/J-35616-14 (GN)

Vehicle Communication Interface Module (VCIM) Battery

Pin	Wire Color	Circuit No.	Function
A	0.5 BN/WH	9940	VCIM Battery Power
B	0.5 YE/BK	950	VCIM Battery Low Reference

Wheel Speed Sensor (WSS) - Left Front



Connector Part Information

- | OEM: 282080-1

- | Service: See Catalog
- | Description: 2-Way F (BK)

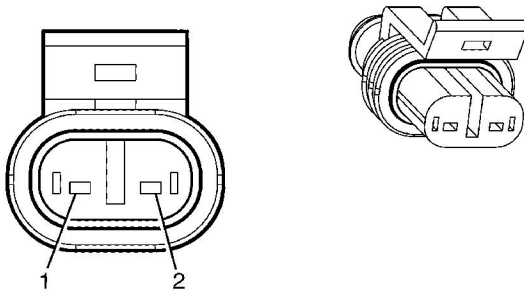
Terminal Part Information

- | Terminal/Tray: See Terminal Repair Kit
- | Core/Insulation Crimp: See Terminal Repair Kit
- | Release Tool/Test Probe: See Terminal Repair Kit

Wheel Speed Sensor (WSS) - Left Front

Pin	Wire Color	Circuit No.	Function
1	0.75 BN	830	Wheel Speed Sensor Signal Left Front
2	0.75 BK	7064	Wheel Speed Sensor Supply Voltage Left Front

Wheel Speed Sensor (WSS) - Left Rear



Connector Part Information

- | OEM: 282080-1
- | Service: See Catalog
- | Description: 2-Way F (BK)

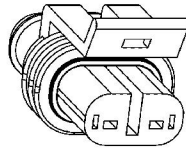
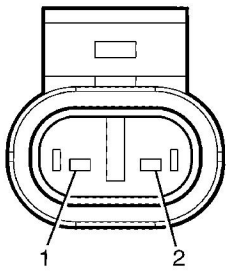
Terminal Part Information

- | Terminal/Tray: See Terminal Repair Kit
- | Core/Insulation Crimp: See Terminal Repair Kit
- | Release Tool/Test Probe: See Terminal Repair Kit

Wheel Speed Sensor (WSS) - Left Rear

Pin	Wire Color	Circuit No.	Function
1	0.5 BN/BK	884	Wheel Speed Sensor Signal Left Rear
2	0.5 GY	7127	Wheel Speed Sensor Supply Voltage Left Rear

Wheel Speed Sensor (WSS) - Right Front



Connector Part Information

- | OEM: 282080-1
- | Service: See Catalog
- | Description: 2-Way F (BK)

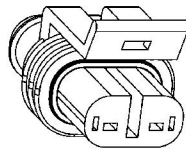
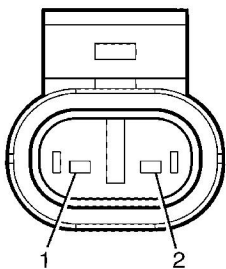
Terminal Part Information

- | Terminal/Tray: See Terminal Repair Kit
- | Core/Insulation Crimp: See Terminal Repair Kit
- | Release Tool/Test Probe: See Terminal Repair Kit

Wheel Speed Sensor (WSS) - Right Front

Pin	Wire Color	Circuit No.	Function
1	0.75 BN	872	Wheel Speed Sensor Signal Right Front
2	0.75 BK	7065	Wheel Speed Sensor Supply Voltage Right Front

Wheel Speed Sensor (WSS) - Right Rear



Connector Part Information

- | OEM: 282080-1
- | Service: See Catalog
- | Description: 2-Way F (BK)

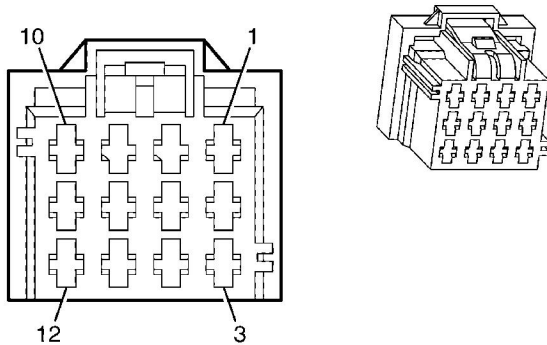
Terminal Part Information

- | Terminal/Tray: See Terminal Repair Kit
- | Core/Insulation Crimp: See Terminal Repair Kit
- | Release Tool/Test Probe: See Terminal Repair Kit

Wheel Speed Sensor (WSS) - Right Rear

Pin	Wire Color	Circuit No.	Function
1	0.5 BN	882	Wheel Speed Sensor Signal Right Rear
2	0.5 GY	7128	Wheel Speed Sensor Supply Voltage Right Rear

Window Control Module



Connector Part Information

- | OEM: 7283-4417-60
- | Service: See Catalog
- | Description: 12-Way F (GN)

Terminal Part Information

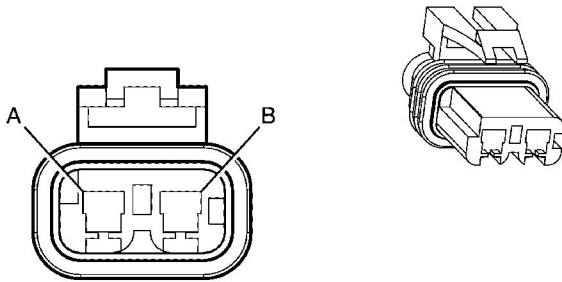
- | Terminal/Tray: See Terminal Repair Kit
- | Core/Insulation Crimp: See Terminal Repair Kit
- | Release Tool/Test Probe: See Terminal Repair Kit

Window Control Module

Pin	Wire Color	Circuit No.	Function
1	2 BU/WH	666	Power Window Motor Right Front Up Control
2	2 BN/OG	165	Power Window Motor Left Front Down Control
3	0.5 L-BU	166	Power Window Master Switch Right Front Up Signal
4	--	--	Not Used

5	2 BK	1350	Ground
6	0.5 BN	1300	Power Window Master Switch Left Front Up Signal
7	--	--	Not Used
8	2 D-GN	1001	RAP Supply Voltage
9	0.5 D-GN/BK	167	Power Window Master Switch Right Front Down Signal
10	2 BN	667	Power Window Motor Right Front Down Control
11	2 D-BU	164	Power Window Motor Left Front Up Control
12	0.5 GY/BU	1136	Power Window Master Switch Left Front Down Control Signal

Window Motor - Driver



Connector Part Information

- | OEM: 7283-2176-40
- | Service: See Catalog
- | Description: 2-Way F Metri-Pack 280 Series Flexlock Sealed (GY)

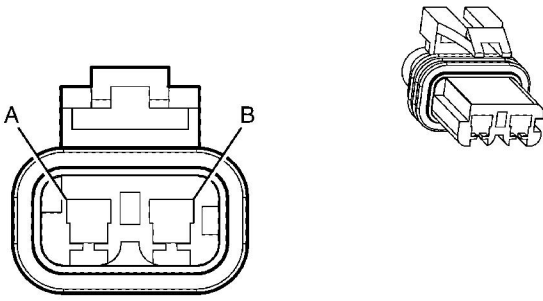
Terminal Part Information

- | Terminal/Tray: 12110845/4
- | Core/Insulation Crimp: A/5
- | Release Tool/Test Probe: 15315247/J-35616-4A (PU)

Window Motor - Driver

Pin	Wire Color	Circuit No.	Function
A	2 D-BU/OG	165	Power Window Motor Left Front Down Control
B	2 D-BU	164	Power Window Motor Left Front Up Control

Window Motor - Left Rear



Connector Part Information

- | OEM: 7283-2176-40
- | Service: 88988609
- | Description: 2-Way F Metri-Pack 280 Series Flexlock Sealed (GY)

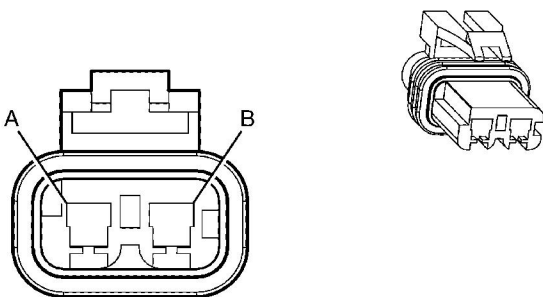
Terminal Part Information

- | Terminal/Tray: 12110845/4
- | Core/Insulation Crimp: A/5
- | Release Tool/Test Probe: 15315247/J-35616-4A (PU)

Window Motor - Left Rear

Pin	Wire Color	Circuit No.	Function
A	2 BN	669	Power Window Motor Left Rear Down Control
B	2 D-BU	668	Power Window Motor Left Rear Up Control

Window Motor - Passenger



Connector Part Information

- | OEM: 7283-2176-40

- | Service: See Catalog
- | Description: 2-Way F Metri-Pack 280 Series Flexlock Sealed (GY)

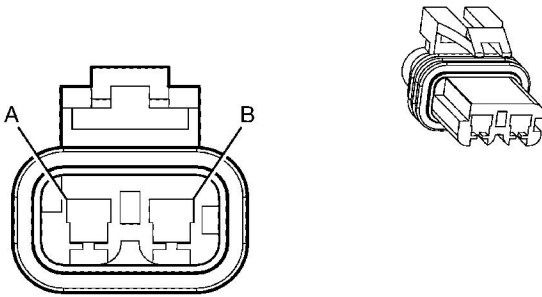
Terminal Part Information

- | Terminal/Tray: 12110845/4
- | Core/Insulation Crimp: A/5
- | Release Tool/Test Probe: 15315247/J-35616-4A (PU)

Window Motor - Passenger

Pin	Wire Color	Circuit No.	Function
A	2 BN	667	Power Window Motor Right Front Down Control
B	2 D-BU/WH	666	Power Window Motor Right Front Up Control

Window Motor - Right Rear



Connector Part Information

- | OEM: 7283-2176-40
- | Service: 88988609
- | Description: 2-Way F Metri-Pack 280 Series Flexlock Sealed (GY)

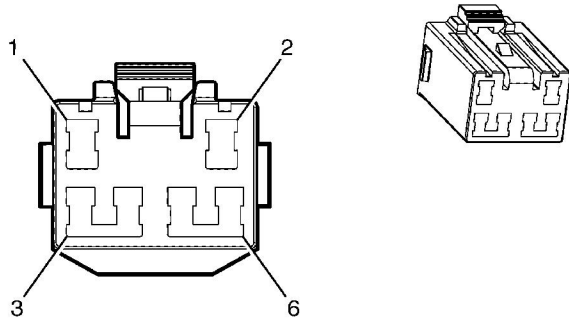
Terminal Part Information

- | Terminal/Tray: 12110845/4
- | Core/Insulation Crimp: A/5
- | Release Tool/Test Probe: 15315247/J-35616-4A (PU)

Window Motor - Right Rear

Pin	Wire Color	Circuit No.	Function
A	2 BN	671	Power Window Motor Right Rear Down Control
B	2 D-BU	670	Power Window Motor Right Rear Up Control

Window Switch - Left Rear



Connector Part Information

- | OEM: 7283-1060
- | Service: See Catalog
- | Description: 6-Way F (WH)

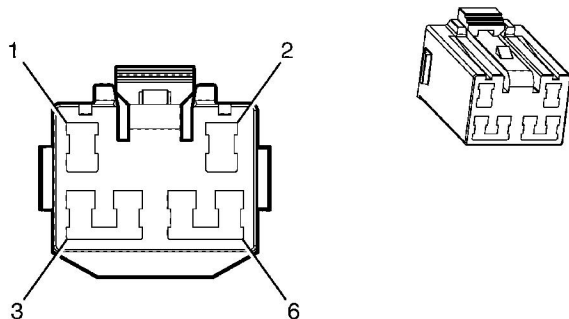
Terminal Part Information

- | Terminal/Tray: 7116-4022/11
- | Core/Insulation Crimp: 4/A
- | Release Tool/Test Probe: 15315247/J-35616-18 (BK)

Window Switch - Left Rear

Pin	Wire Color	Circuit No.	Function
1	2 D-BU	668	Power Window Motor Left Rear Up Control
2	--	--	Not Used
3	2 D-GN	168	Power Window Master Switch Left Rear Up Signal
4	2 D-BU	1307	Power Window Master Switch Lockout Signal
5	2 BN	669	Power Window Motor Left Rear Down Control
6	2 PU	169	Power Window Master Switch Left Rear Down Signal

Window Switch - Right Rear





Connector Part Information

- | OEM: 7283-1060
- | Service: See Catalog
- | Description: 6-Way F (WH)

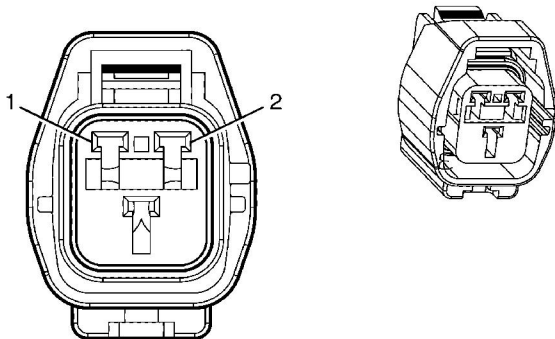
Terminal Part Information

- | Terminal/Tray: 7116-4022/11
- | Core/Insulation Crimp: 4/A
- | Release Tool/Test Probe: 15315247/J-35616-18 (BK)

Window Switch - Right Rear

Pin	Wire Color	Circuit No.	Function
1	2 D-BU	670	Power Window Motor Right Rear Up Control
2	--	--	Not Used
3	2 L-GN	170	Power Window Master Switch Right Rear Up Signal
4	2 D-BU	1307	Power Window Master Switch Lockout Signal
5	2 BN	671	Power Window Motor Right Rear Down Control
6	2 PU/WH	171	Power Window Master Switch Right Rear Down Signal

Windshield Washer Fluid Pump



Connector Part Information

- | OEM: 7283-7031-10
- | Service: See Catalog
- | Description: 2-Way F (BK)

Terminal Part Information

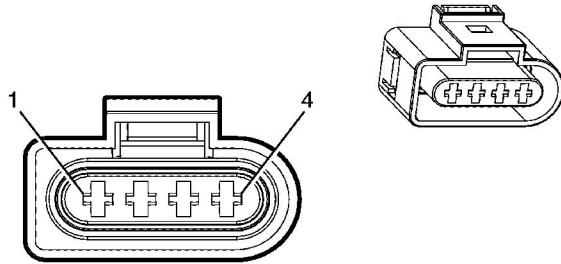
- | Terminal/Tray: 7116-4026/11
- | Core/Insulation Crimp: E/1

| Release Tool/Test Probe: 15313892/J-35616-18 (BK)

Windshield Washer Fluid Pump

Pin	Wire Color	Circuit No.	Function
1	0.75 OG	228	Windshield Washer Pump Control
2	0.75 BK	250	Ground

Windshield Wiper Motor



Connector Part Information

| OEM: 7283-2043-30
 | Service: See Catalog
 | Description: 4-Way F (BK)

Terminal Part Information

| Pins: 1-2
 | Terminal/Tray: 4-964273-1/15
 | Core/Insulation Crimp: C/5
 | Release Tool/Test Probe: 12093647/J-35616-4A (PU)

| Pin: 3
 | Terminal/Tray: 4-964273-1/15
 | Core/Insulation Crimp: E/1
 | Release Tool/Test Probe: 12093647/J-35616-4A (PU)

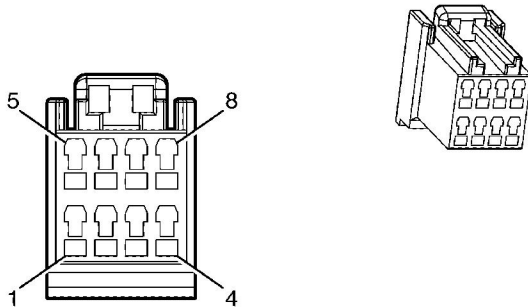
| Pin: 4
 | Terminal/Tray: See Terminal Repair Kit
 | Core/Insulation Crimp: See Terminal Repair Kit
 | Release Tool/Test Probe: See Terminal Repair Kit

Windshield Wiper Motor

Pin	Wire Color	Circuit No.	Function
1	2 D-GN	95	Windshield Wiper Motor Low Speed

2	2 BN/WH	92	Windshield Wiper Motor High Speed
3	1.25 BK	350	Ground
4	0.3 YE	196	Windshield Wiper Motor Park Switch Signal

Windshield Wiper/Washer Switch



Connector Part Information

- | OEM: 7283-7387-30
- | Service: See Catalog
- | Description: 8-Way F (BK)

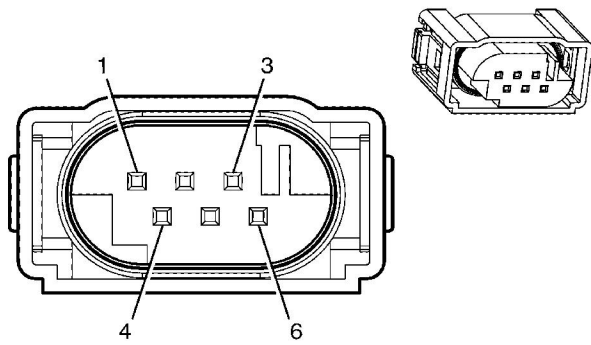
Terminal Part Information

- | Terminal/Tray: 173681-2/17
- | Core/Insulation Crimp: E/4
- | Release Tool/Test Probe: 15315247/J-35616-16 (L-GN)

Windshield Wiper/Washer Switch

Pin	Wire Color	Circuit No.	Function
1-3	--	--	Not Used
4	0.3 L-GN	1715	Windshield Wiper Switch High Signal
5	--	--	Not Used
6	0.3 OG	94	Windshield Washer Switch Signal
7	0.3 L-BU	1714	Windshield Wiper Switch Low Signal
8	0.3 BK/WH	1251	Ground

Yaw and Lateral Accelerometer Sensor



Connector Part Information

- | OEM: 7219-1764-30
- | Service: See Catalog
- | Description: 6-Way F (BK)

Terminal Part Information

- | Terminal/Tray: 962885-5/15
- | Core/Insulation Crimp: 6/6
- | Release Tool/Test Probe: 12094429/J-35616-64B (L-BU)

Yaw and Lateral Accelerometer Sensor

Pin	Wire Color	Circuit No.	Function
1	0.5 D-GN	2087	5-V Reference
2	0.5 L-GN/BK	5352	Yaw Rate Sensor Test Control
3	0.5 L-BU	5986	Communication Enable Relay Supply Voltage
4	0.5 BN/WH	2086	Yaw Rate Signal
5	0.5 PU/WH	1699	Combined Vehicle Inertial Sensor Signal
6	0.5 BK/BU	2088	Low Reference