

## Front Seat Back Replacement

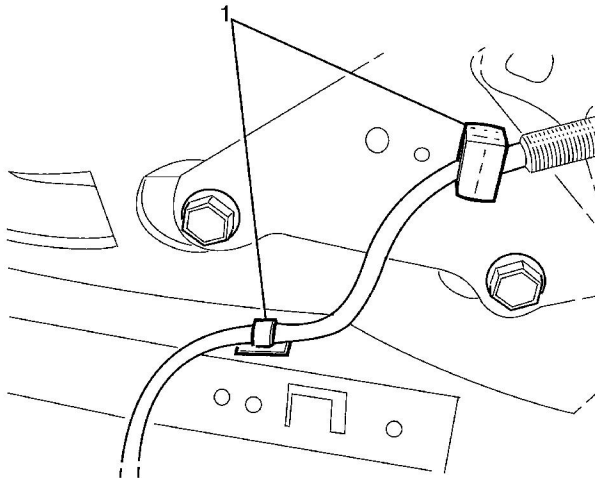
### Removal Procedure

**Caution:** Refer to [Battery Disconnect Caution](#) in the Preface section.

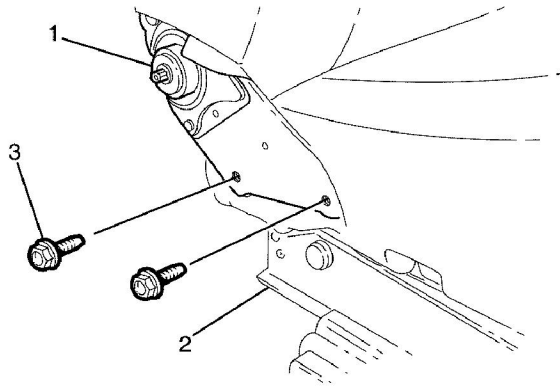
1. Disconnect the battery ground cable from the battery. Refer to [Battery Negative Cable Disconnection and Connection](#) .

**Caution:** Refer to [SIR Caution](#) in the Preface section.

2. Disable the SIR system. Refer to [SIR Disabling and Enabling](#) in SIR.
3. Remove the front seat. Refer to [Front Seat Replacement - Bucket](#) .
4. Remove the outer trim panel. Refer to [Seat Cushion Outer Trim Panel Replacement](#) .
5. Remove the inner trim panel. Refer to [Seat Cushion Inner Trim Panel Replacement](#) .

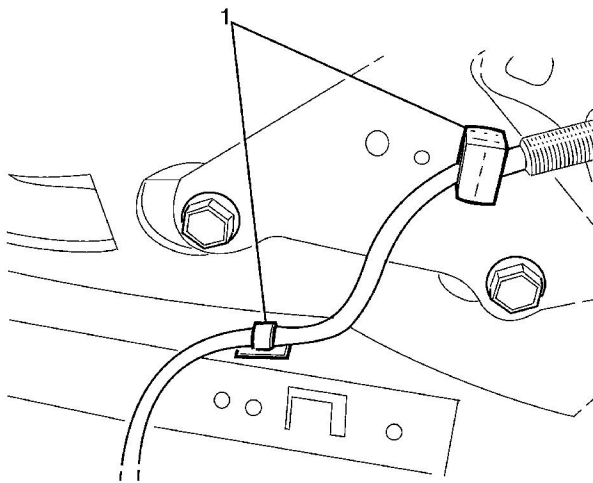


6. If required, disconnect and detach the front seat-back recline motor and side impact airbag wiring harness (1).



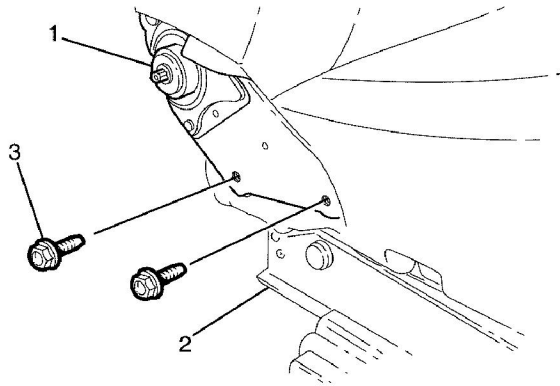
7. Remove the two seat back to seat base retaining bolts (3), each side, attaching the seat back assembly (1) to the front seat cushion frame assembly (2).
8. Remove the seat back assembly (1).

## Installation Procedure



1. If removed, connect and attach the seat-back recline motor and airbag wiring harness (1).

**Notice:** Refer to [Fastener Notice](#) in the Preface section.



2. Install the two retaining bolts (3) each side, attaching the seat back assembly (1) to the front seat cushion frame assembly (2).

### Tighten

Tighten the retaining bolts to 32 N·m (24 lb ft).

3. Install the inner trim panel. Refer to [Seat Cushion Inner Trim Panel Replacement](#) .
4. Install the outer trim panel. Refer to [Seat Cushion Outer Trim Panel Replacement](#) .
5. Install the front seat. Refer to [Front Seat Replacement - Bucket](#) .

**Caution:** Refer to [SIR Caution](#) in the Preface section.

6. Enable the SIR system. Refer to [SIR Disabling and Enabling](#) in SIR.
7. Connect the battery ground cable to battery. Refer to [Battery Negative Cable Disconnection and Connection I](#).
8. Test seat for correct mechanical and electrical operation.