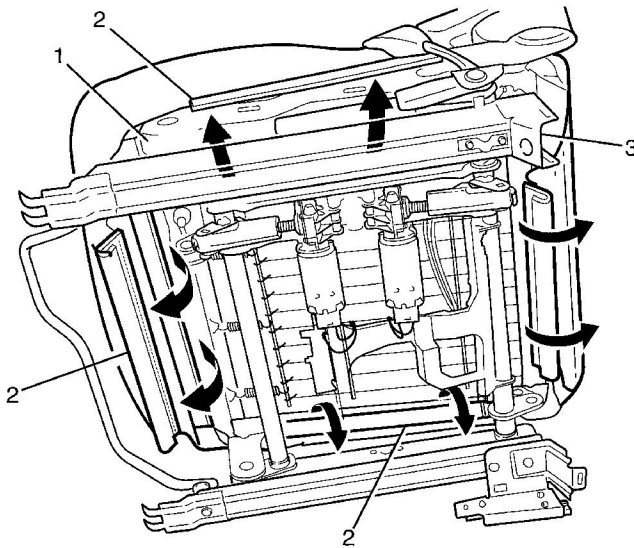


Front Seat Cushion Replacement

Removal Procedure

Caution: Refer to [Battery Disconnect Caution](#) in the Preface section.

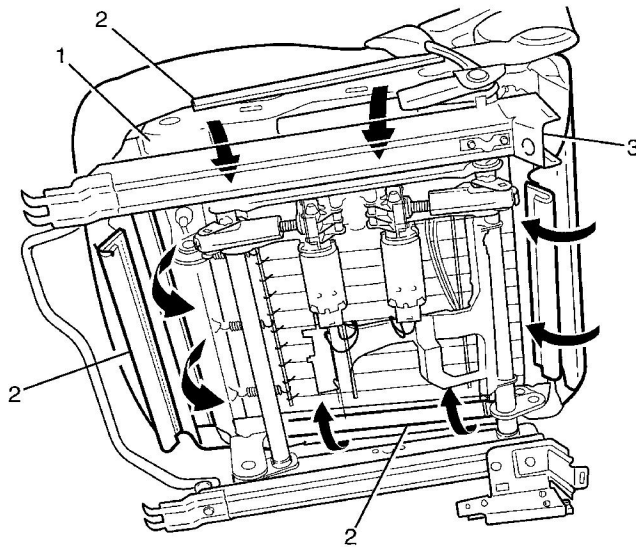
Caution: Refer to [SIR Caution](#) in the Preface section.



1. Disconnect the battery ground cable from the battery. Refer to [Battery Negative Cable Disconnection and Connection](#).
2. Disable the SIR system. Refer to [SIR Disabling and Enabling](#).
3. Remove the front seat. Refer to [Front Seat Replacement - Bucket](#).
4. Remove the front seat adjuster. Refer to [Front Seat Adjuster Replacement](#).
5. Remove seat-back frame assembly. Refer to [Front Seat Back Frame Replacement](#).
6. Disengage the front and side J-strips (2) from the seat cushion base (3).
7. Remove the front seat cushion (1).

Installation Procedure

Caution: Refer to [SIR Caution](#) in the Preface section.



1. Install the front seat cushion (1) onto the seat cushion base (3).
2. Engage the front and side J-strips (2) onto the seat cushion base (3).
3. Install seat-back frame assembly. Refer to [Front Seat Back Frame Replacement](#).
4. Install the front seat. Refer to [Front Seat Replacement - Bucket](#).
5. Enable the SIR system. Refer to [SIR Disabling and Enabling](#).
6. Connect the battery ground cable to the battery. Refer to [Battery Negative Cable Disconnection and Connection](#).
7. Re-zero the inflatable restraint passenger presence system. Refer to [Passenger Presence System Programming and Setup](#).
8. Test the seat for correct mechanical and electrical operation.