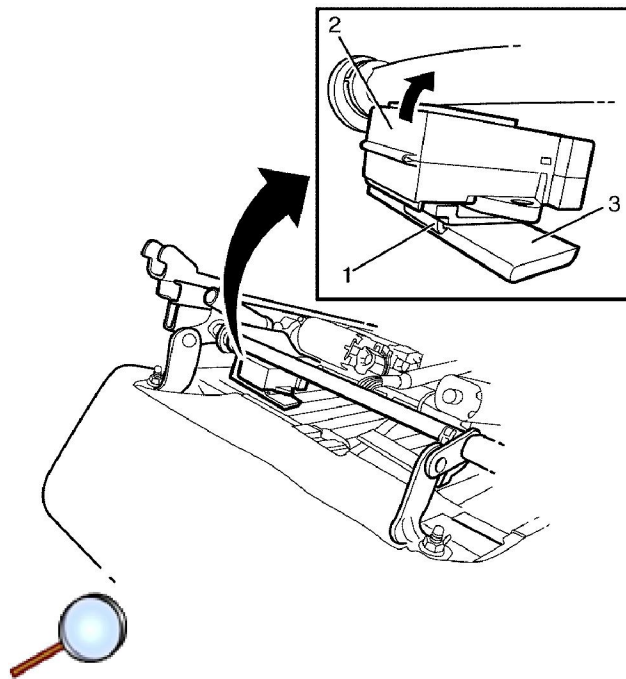


Front Seat Heater Control Module Replacement

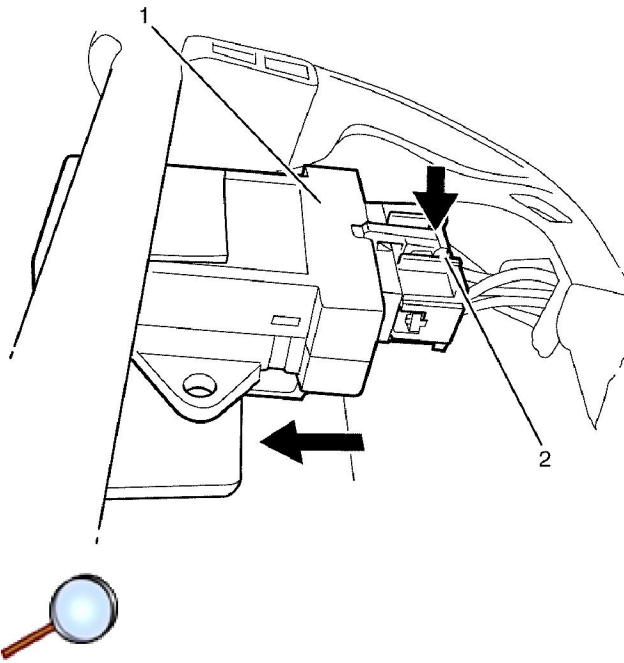
Removal Procedure

Caution: Refer to [Battery Disconnect Caution](#) in the Preface section.

Caution: Refer to [SIR Caution](#) in the Preface section.

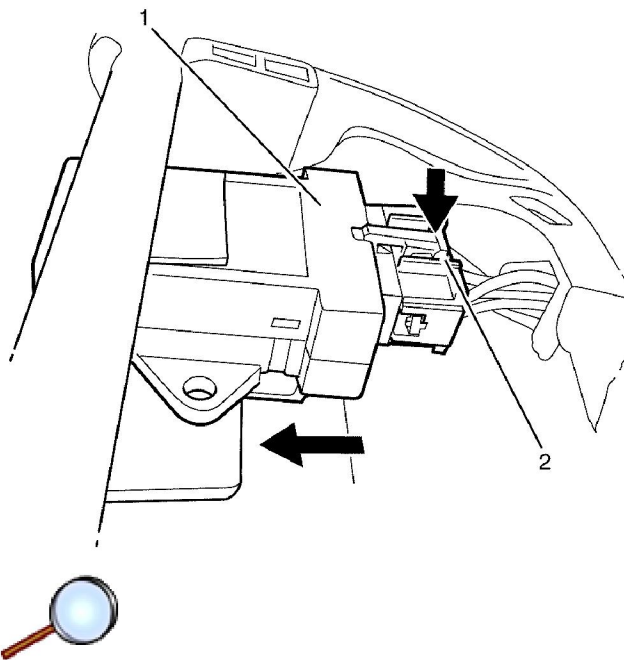


1. Disconnect the vehicle battery. Refer to [Battery Negative Cable Disconnection and Connection](#) .
2. Disable the SIR system. Refer to [SIR Disabling and Enabling](#) .
3. Remove the front bucket seat. Refer to [Front Seat Replacement - Bucket](#) .
4. Using suitable force, lift the heated seat control module (2) to disengage the clip (1) from the bracket (3).

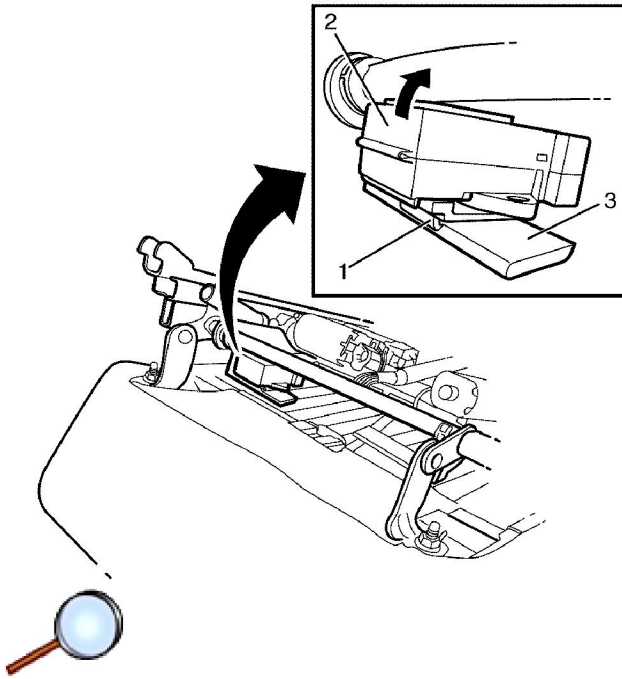


5. Press down the retaining clip (2) and pull the heated seat control module (1) away.

Installation Procedure



1. Press down the retaining clip (2) and push the heated seat control module (1) back in.



2. Engage the clip (1) of the heated seat control module (2) to the bracket (3), listen for an audible click to confirm fitting.
3. Install the front bucket seat. Refer to [Front Seat Replacement - Bucket](#) .
4. Enable the SIR system. Refer to [SIR Disabling and Enabling](#) .
5. Connect the vehicle battery. Refer to [Battery Negative Cable Disconnection and Connection](#) .