

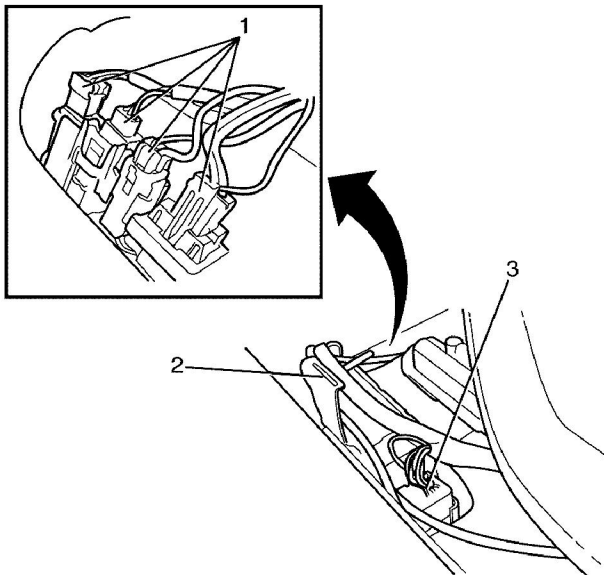
## Front Seat Replacement - Bucket

### Removal Procedure

**Caution:** Refer to [Battery Disconnect Caution](#) in the Preface section.

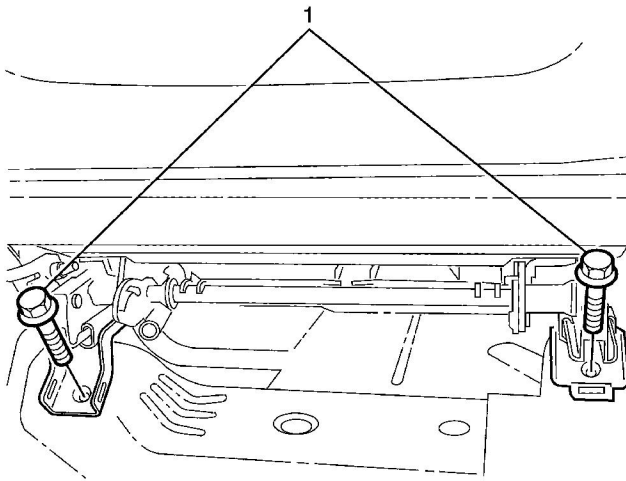
**Caution:** Refer to [SIR Caution](#) in the Preface section.

1. Disconnect the battery ground cable from the battery. Refer to [Battery Negative Cable Disconnection and Connection](#).
2. Disable the SIR system. Refer to [SIR Disabling and Enabling](#).
3. Remove the front seat outer rear adjuster cover. Refer to [Driver or Passenger Seat Outer Adjuster Rear Finish Cover Replacement](#).
4. Remove the front seat inner rear adjuster cover. Refer to [Driver or Passenger Seat Inner Adjuster Rear Finish Cover Replacement](#).
5. Remove the front seat outer front adjuster cover. Refer to [Driver or Passenger Seat Outer Adjuster Front Finish Cover Replacement](#).
6. Remove the front seat inner front adjuster cover. Refer to [Driver or Passenger Seat Inner Adjuster Front Finish Cover Replacement](#).
7. Remove the front seat belt tensioner. Refer to [Driver and Passenger Seat Belt Tensioner Replacement](#).



**Important:** Prior to disconnecting the electrical connectors, reconnect the battery and lower the seat in order to remove the front seat from the vehicle. Refer to [Battery Negative Cable Disconnection and Connection](#).

8. Disconnect the front seat electrical connectors (1), release the cable guide (2) and disconnect the pretensioner electrical connector (3).

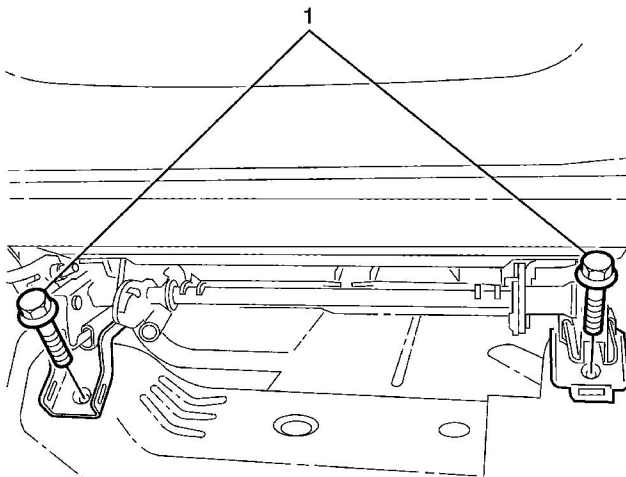


9. Remove the front seat rear retaining bolts (1).

**Important:** Removal of the head rest will aid in removal of the front seat. Refer to [Front Seat Head Restraint Replacement](#).

10. With the aid of an assistant remove the front seat, by lifting and tilting the seat forward, and then lifting and pulling the seat rearwards to disengage the front hooks.

## Installation Procedure



**Important:** Physically inspect each hook to ensure it is correctly engaged.

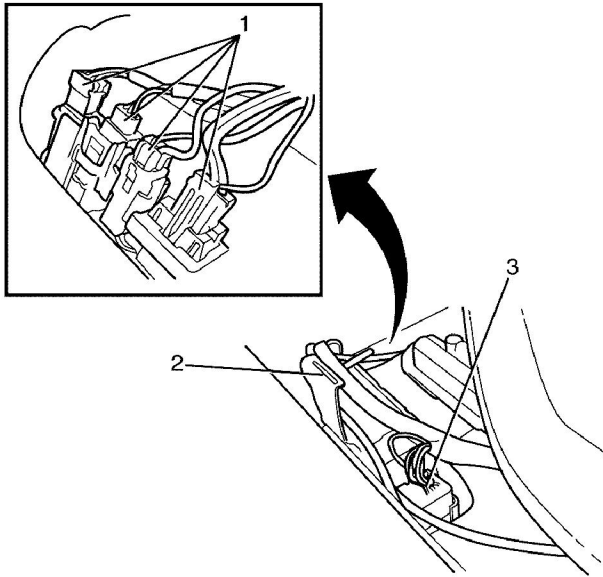
1. Engage the front seat retaining hooks into the slots in the body and slide the seat forward and down.

**Notice:** Refer to [Fastener Notice](#) in the Preface section.

2. Install the front seat retaining bolts (1).

### Tighten

Tighten the retaining bolts to 42 N·m (31 lb ft).



3. Connect the front seat electrical connectors (1), route the harness through the cable guide (2) and connect the tensioner electrical connector (3).
4. Install the front seat belt tensioner. Refer to [Driver and Passenger Seat Belt Tensioner Replacement](#).
5. Install the front seat outer rear adjuster cover. Refer to [Driver or Passenger Seat Outer Adjuster Rear Finish Cover Replacement](#).
6. Install the front seat inner rear adjuster cover. Refer to [Driver or Passenger Seat Inner Adjuster Rear Finish Cover Replacement](#).
7. Install the front seat outer front adjuster cover. Refer to [Driver or Passenger Seat Outer Adjuster Front Finish Cover Replacement](#).
8. Install the front seat inner front adjuster cover. Refer to [Driver or Passenger Seat Inner Adjuster Front Finish Cover Replacement](#).

**Caution:** Refer to [SIR Caution](#) in the Preface section.

9. Enable the SIR system. Refer to [SIR Disabling and Enabling](#).
10. Connect the battery ground cable to the battery. Refer to [Battery Negative Cable Disconnection and Connection](#).
11. Test the front seat for correct mechanical and electrical operation.