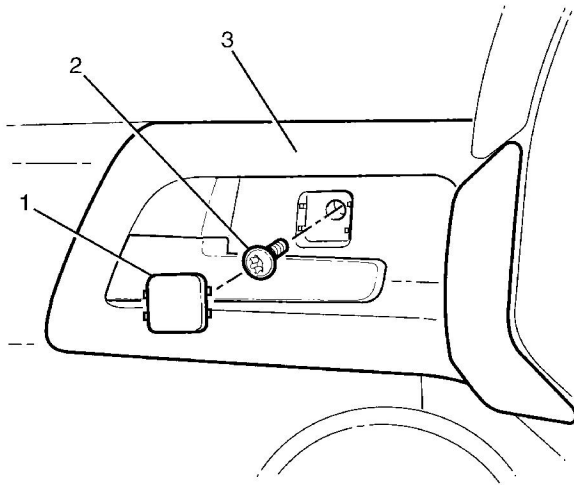
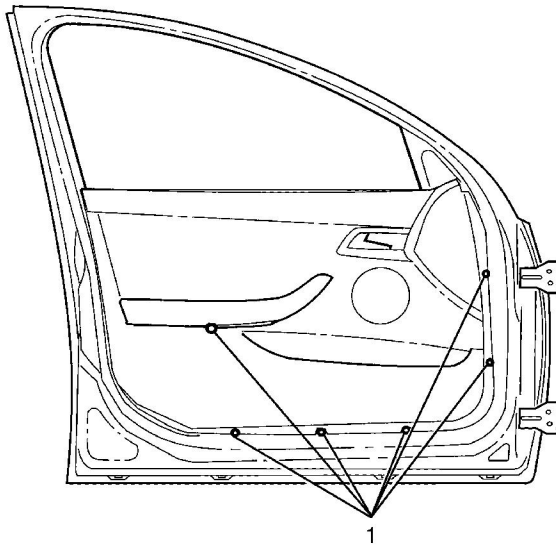


## Front Side Door Trim Panel Replacement

### Removal Procedure

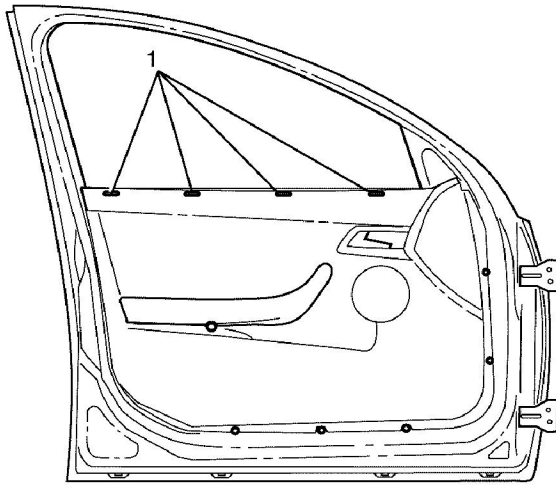



1. Using a suitable tool remove the inside door handle to door retaining screw cover (1) from the door trim panel (3).
2. Remove the inside door handle to door retaining screw (2).



3. Remove the door trim panel to door retaining screws (1).

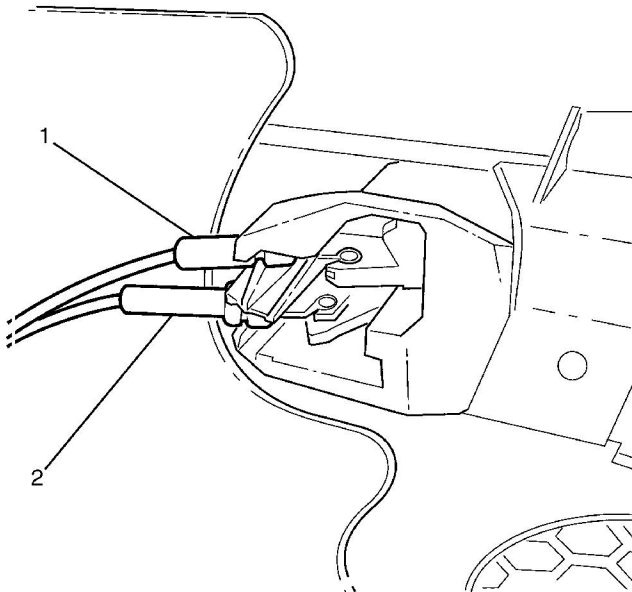
© 2013 General Motors Corporation. All rights reserved.



- 
4. Detach the top of the door trim panel in order to release the inner belt seal clips (1).

**Important:** Firmly pull the armrest handle outwards to release the door trim panel to door retaining clips.

5. Remove the door trim panel from the door to allow access to door handle cable, door lock cable.



**Important:** The door handle and lock cables slide out and lift up to remove from the door trim panel.

6. Disconnect the inside door handle cable (1) and door lock cable (2) from the door trim panel.

7. Remove the door trim panel from the door.

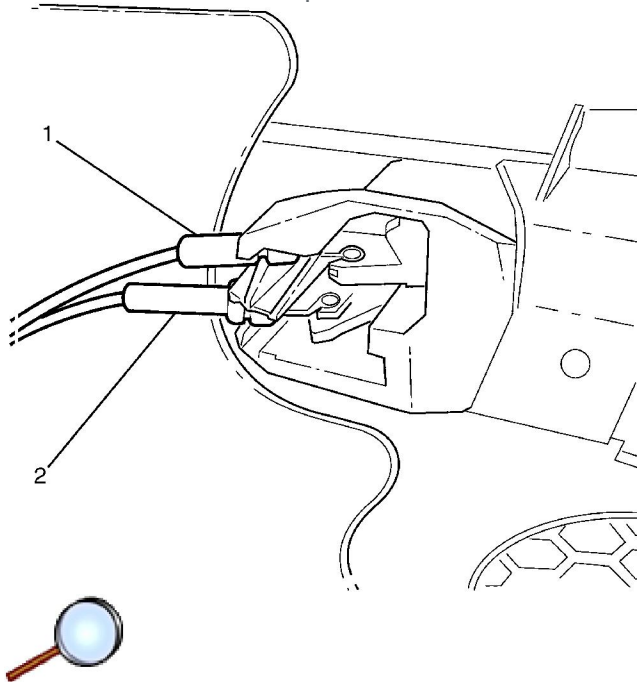
## Installation Procedure

**Important:** The green retaining clips are along the front edge and the white retaining clips are along the back edge.

1. Make sure that all of the retaining clips are on the door trim panel and not still attached to the sheetmetal.

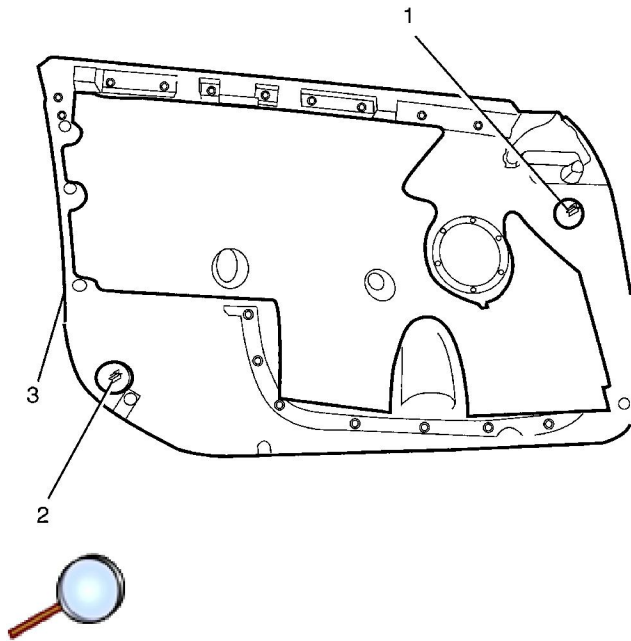
**Important:** Do not fully install the door trim panel at this stage. The inside door handle cable and door lock cable have to be attached first .

2. Position the door trim panel to the door.



**Important:** The door handle and lock cables slide down and in to the door trim panel to install.

3. Connect the inside door handle cable (2) and door lock cable (1) to the door trim panel.

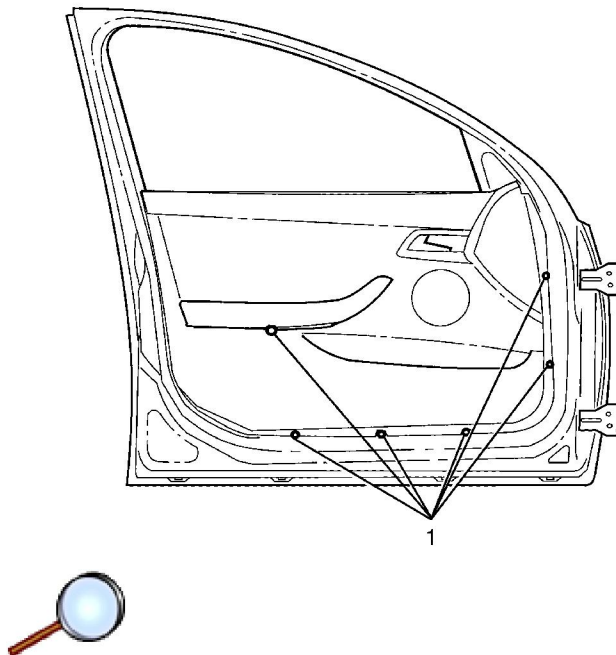


**Important:** Datum pins (1, 2) assist in aligning the door trim panel to the door.

**Important:** Apply pressure around the door trim panel (3) to secure the retainers to the door.

4. Position the door trim panel (3) to the door.

**Notice:** Refer to [Fastener Notice](#) in the Preface section.

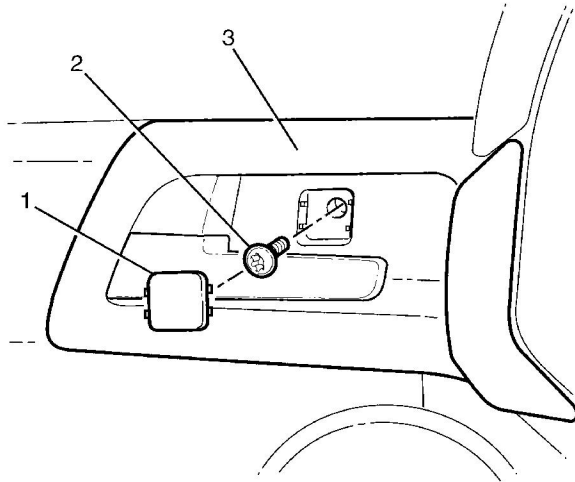


5. Install the door trim panel to door retaining screws (1).

**Tighten**

Tighten the screws to 3 N-m (27 lb in).

**Notice:** Refer to [Fastener Notice](#) in the Preface section.



6. Install the inside door handle to door trim panel retaining screw (2).

**Tighten**

Tighten the screws to 3 N-m (27 lb in).

7. Install the inside door handle to door retaining screw cover (1) to the door trim panel (3).