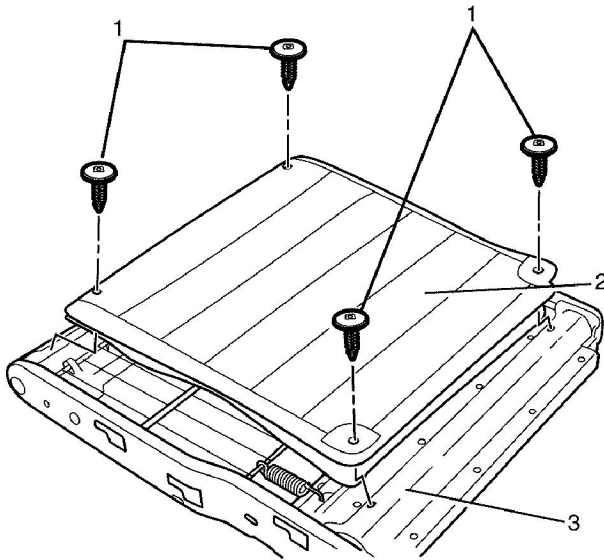


Inflatable Restraint Passenger Presence System Replacement - Front

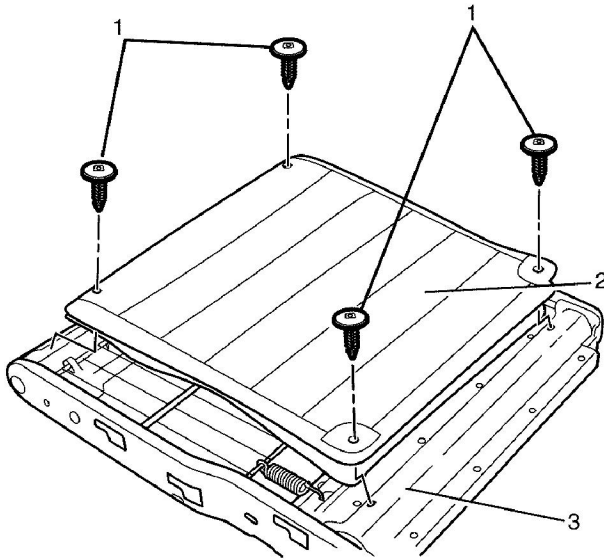
Removal Procedure

Caution: Refer to [SIR Caution](#) in the Preface section.



1. Disable the SIR system. Refer to [SIR Disabling and Enabling](#).
2. Remove the front seat. Refer to [Front Seat Replacement - Bucket](#).
3. Remove the lumbar support knob. Refer to [Lumbar Support Knob Replacement](#).
4. Remove the seat cushion outer trim panel. Refer to [Front Seat Cushion Replacement](#).
5. Remove the heated seat module. Refer to [Front Seat Heater Control Module Replacement](#).
6. Remove seat back assembly. Refer to [Front Seat Back Replacement](#).
7. Remove the seat adjuster. Refer to [Front Seat Adjuster Replacement](#).
8. Remove the seat cushion cover. Refer to [Front Seat Cushion Cover and Pad Replacement](#).
9. Remove the passenger presence module. Refer to [Inflatable Restraint Passenger Seat Suppression Module Replacement](#).
10. Remove the retainers (1) holding the passenger presence pad (2) onto the seat frame (3).
11. Remove the passenger presence pad (2).

Installation Procedure



1. Install the passenger presence pad (2) onto the seat frame (3).
2. Install the retainers (1) securing the passenger presence pad (2) onto the seat frame (3)
3. Install the passenger presence module. Refer to [Inflatable Restraint Passenger Seat Suppression Module Replacement](#).
4. Install the seat cushion cover. Refer to [Front Seat Cushion Cover and Pad Replacement](#).
5. Install the seat adjuster. Refer to [Front Seat Adjuster Replacement](#).
6. Install seat back assembly. Refer to [Front Seat Back Replacement](#).
7. Install the heated seat module. Refer to [Front Seat Heater Control Module Replacement](#).
8. Install the seat cushion outer trim panel. Refer to [Front Seat Cushion Replacement](#).
9. Install the lumbar support knob. Refer to [Lumbar Support Knob Replacement](#).
10. Install the front seat. Refer to [Front Seat Replacement - Bucket](#).
11. Enable the SIR system. Refer to [SIR Disabling and Enabling](#).
12. Re-zero the inflatable restraint passenger presence system whenever the seat cushion or any component of the passenger presence system is removed. Refer to [Passenger Presence System Programming and Setup](#).