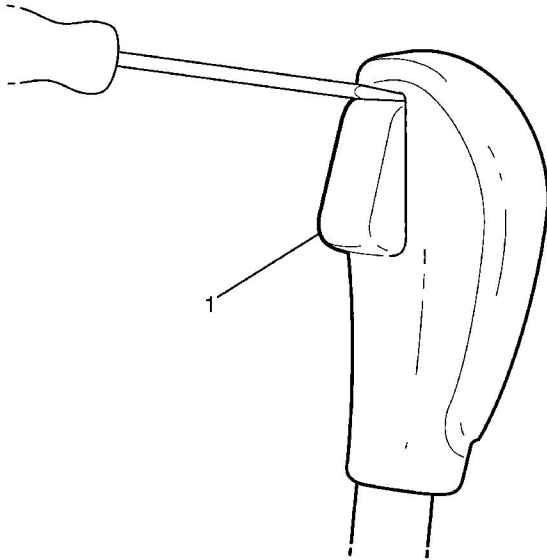
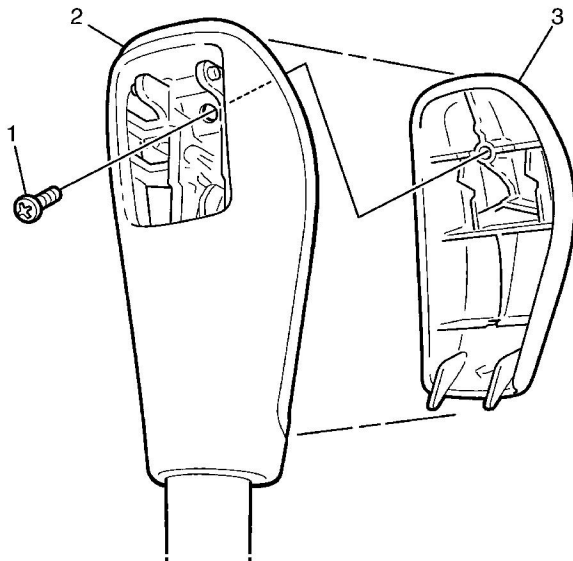


Transmission Control Lever Knob Replacement

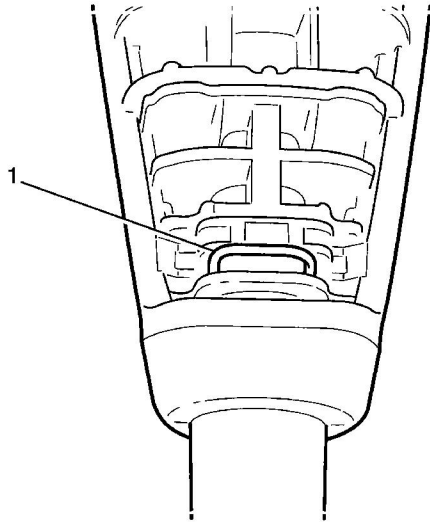
Removal Procedure



1. Using a suitable tool lever release knob (1) out of selector lever

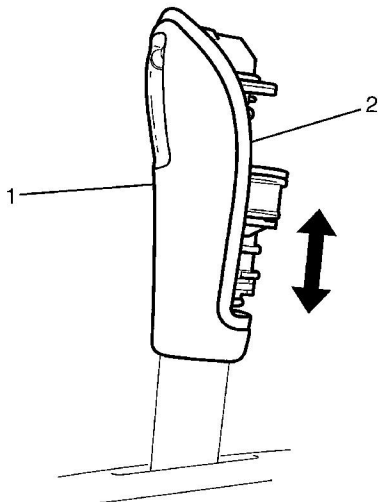


2. Remove selector retaining screw (1) from the selector lever (2) and remove lever backing (3).

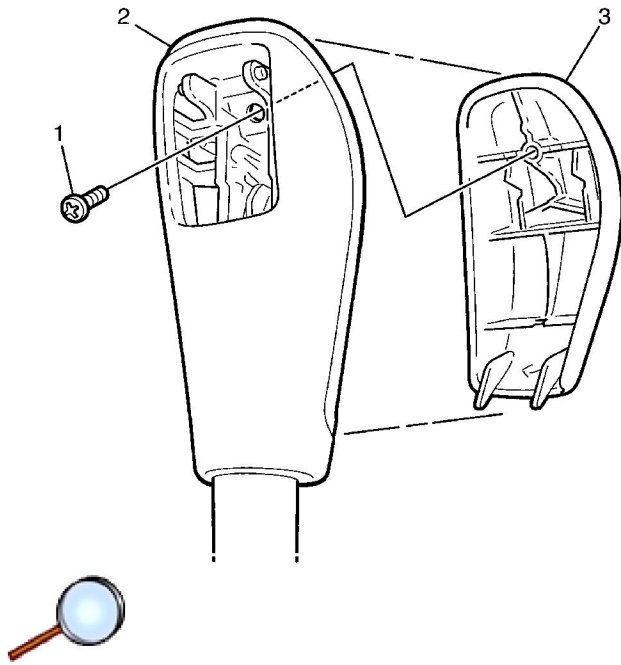


3. Remove the selector lever knob metal retainer clip (1).
4. Remove selector lever knob spacer.
5. Remove selector lever knob by sliding upwards off assembly.

Installation Procedure



1. Install the selector lever knob (1) by sliding down on the assembly.
2. Install the selector lever knob spacer (2).
3. Install the selector lever knob metal retainer clip.



4. Install the lever backing (3) and retaining screw (1) to the selector lever (2).
5. Install the release knob into selector lever.