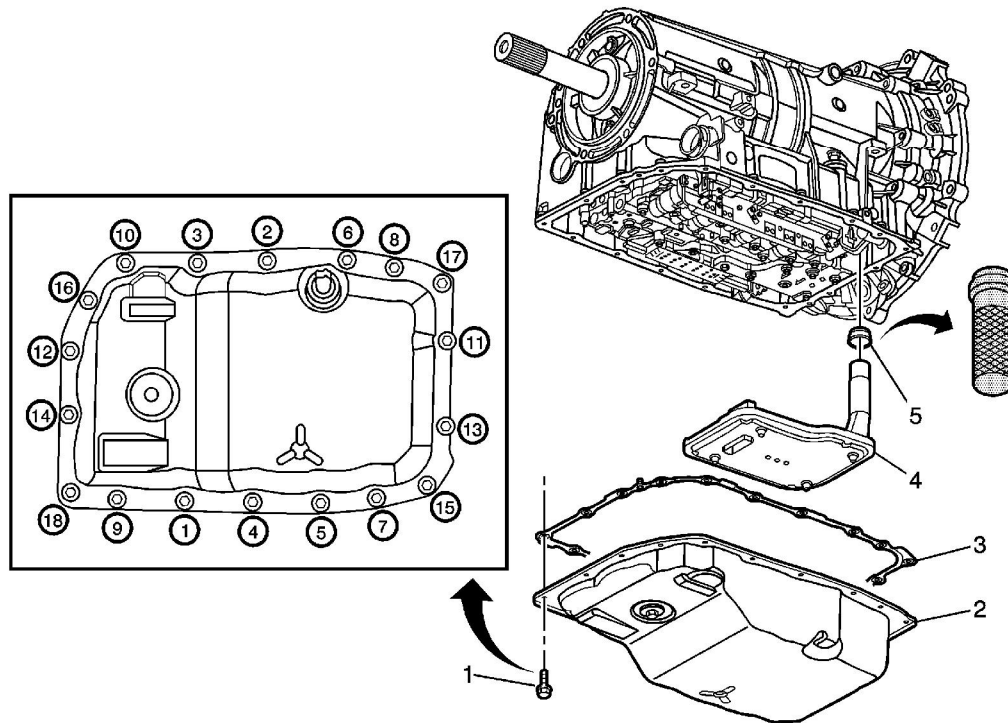


Automatic Transmission Fluid, Fluid Pan and/or Filter Replacement



Callout	Component Name
<p>Caution: Use Dexron VI transmission fluid only. Failure to use the proper fluid may result in transmission internal damage.</p>	
<p>Preliminary Procedures</p> <ol style="list-style-type: none"> 1. Raise and support the vehicle. Refer to Lifting and Jacking the Vehicle. 2. Place a suitable drain pan under the transmission. 	
<p>1</p>	<p>Transmission Fluid Pan Bolt (Qty: 18)</p> <p>Caution: Refer to Fastener Caution in the Preface section.</p> <p>Tip Tighten the bolts in the sequence shown and tighten to 9 N·m (80 lb in).</p>
<p>2</p>	<p>Transmission Fluid Pan Assembly</p> <p>Tip</p> <ul style="list-style-type: none"> • Check the condition of the draining fluid. Refer to Transmission Fluid Check.

	<ul style="list-style-type: none"> • Fill the transmission with the proper fluid. Refer to Transmission General Specifications and Transmission Fluid Fill Procedure. • Fill the transmission with the proper amount of transmission fluid. Refer to Fluid Capacity Specifications and Transmission Fluid Check.
3	<p>Transmission Fluid Pan Gasket</p> <p>Tip The fluid pan gasket is reusable. Inspect the gasket to determine if it may be reused.</p>
4	<p>Fluid Filter Assembly</p> <p>Tip</p> <ul style="list-style-type: none"> • Pull the fluid filter assembly straight out. Do not bend or twist the filter neck. • Use a new fluid filter assembly.
5	<p>Fluid Filter Seal Assembly</p> <p>Caution: Do not damage the case sealing surface when removing the filter seal assembly.</p> <p>Tip</p> <ul style="list-style-type: none"> • Use a screwdriver or snap ring pliers to remove the filter seal. • Use the DT 47848 and the J 42183 to install the filter seal. • Use a new fluid filter seal assembly. • Lubricate the filter seal with transmission fluid before installing the filter. <p>Special Tools</p> <ul style="list-style-type: none"> • DT 47848 Seal Installer • J 42183 Driver Handle