

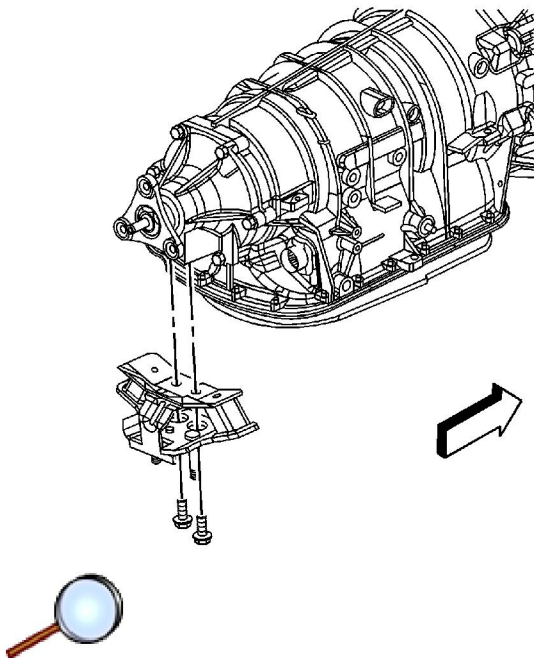
## Transmission Mount Replacement

### Removal Procedure

1. Remove the exhaust system. Refer to [Exhaust System Replacement](#).

**Note:** The engine mounts must NOT bend or deflect from the vertical position, damage to the mount will occur.

2. Support the transmission with a suitable jack and a block of wood.
3. Remove the transmission support. Refer to [Transmission Support Replacement](#).



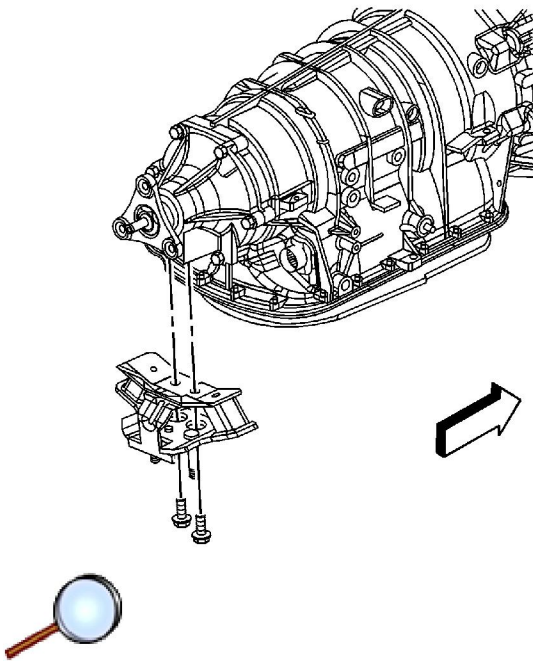
4. Remove the transmission mount bolts.
5. Remove the transmission mount from the vehicle.

### Installation Procedure

**Note:** The engine mounts must NOT bend or deflect from the vertical position, damage to the mount will occur.

1. Install the transmission mount to the vehicle.

**Caution:** Refer to [Fastener Caution](#) in the Preface section.



2. Install the transmission mount bolts and tighten to **60 N·m (44 lb ft)**.
3. Install the transmission support. Refer to [Transmission Support Replacement](#).
4. Remove the support from under the transmission.
5. Install the exhaust system.
6. Lower the vehicle.