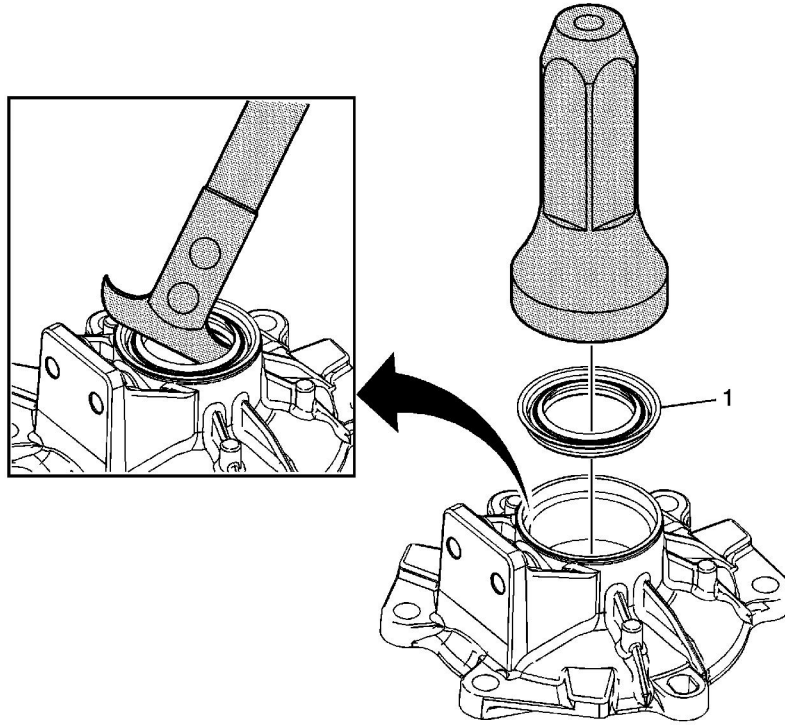


## Case Extension and Seal Replacement



Callout	Component Name
1	Output Shaft Seal Assembly  <b>Special Tools</b> <ul style="list-style-type: none"> <li>• <a href="#">J 37212</a> Front Output Shaft Seal Installer</li> <li>• <a href="#">J 45000</a> Seal Remover</li> </ul>