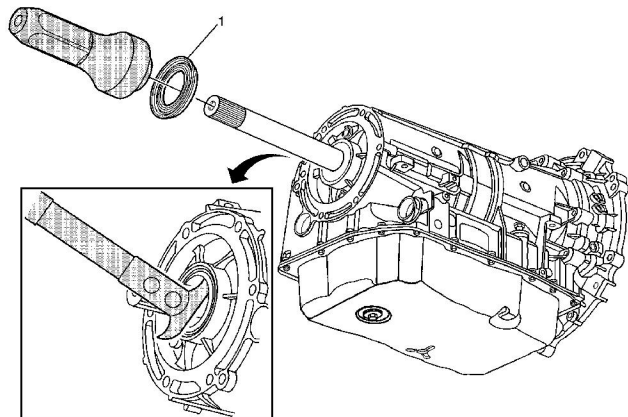


Transmission Output Shaft Seal Replacement



Callout	Component Name
<p>Preliminary Procedures</p> <ol style="list-style-type: none"> 1. Raise and support the vehicle. Refer to Lifting and Jacking the Vehicle. 2. Remove the propeller shaft. Refer to Propeller Shaft Replacement. 3. Support the transmission with a suitable jack. 4. Remove the transmission mount assembly. 5. Remove the transmission extension housing assembly. Refer to Output Shaft Seal Replacement. 	
<p>1</p>	<p>Output Shaft Seal</p> <ul style="list-style-type: none"> • Use the J 45000 to remove the seal. Use care in order to avoid damaging the output shaft bushing. • Lubricate the seal with clean transmission fluid. • Use the J 38693 to install the seal.