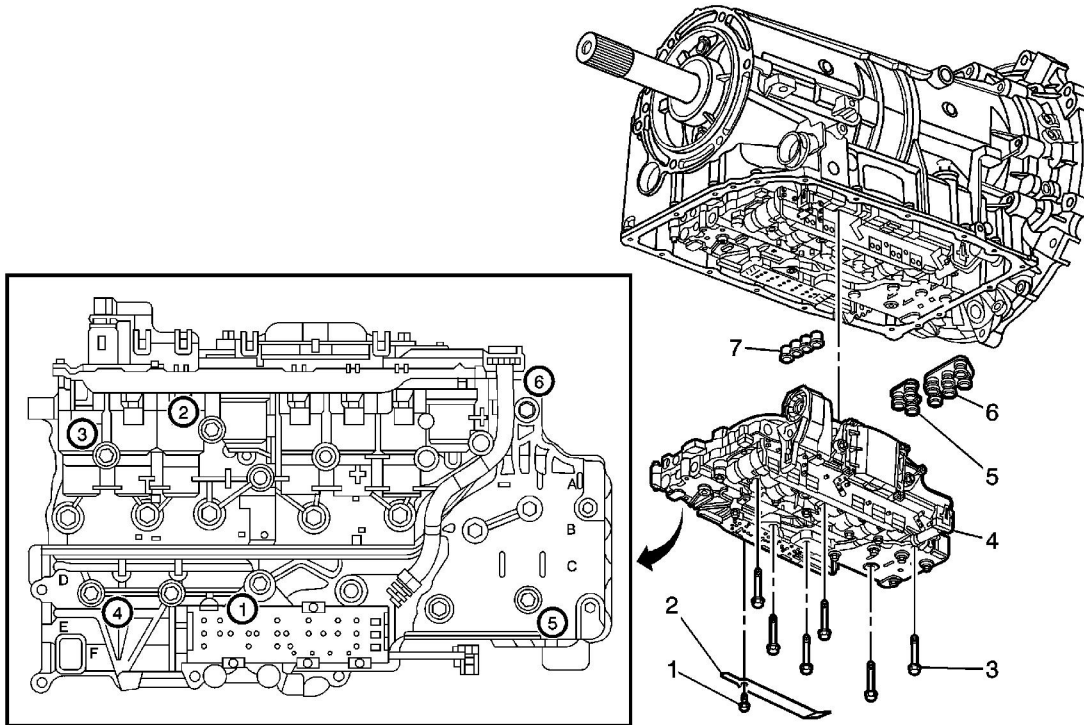


Control Valve Lower Body and Upper Body Replacement



Callout	Component Name
<p>Preliminary Procedures</p> <ol style="list-style-type: none"> 1. Raise and support the vehicle. Refer to Lifting and Jacking the Vehicle. 2. Remove the transmission fluid pan and filter. Refer to Automatic Transmission Fluid, Fluid Pan and/or Filter Replacement. 3. Remove the transmission electrical connector. Refer to Automatic Transmission Electrical Connector Passage Sleeve Replacement. 	
1	<p>Manual Shaft Detent Bolt</p> <p>Caution: Refer to Fastener Caution in the Preface section.</p> <p>Tighten 12 N·m (106 lb in)</p>
2	<p>Manual Shaft Detent Assembly</p>
	<p>Control Valve Assembly Bolt (Qty: 6)</p> <p>Tip Do not remove all the bolts in the control valve body assembly. Remove only the bolts indicated. © 2013 General Motors Corporation. All rights reserved.</p>

3	Tighten in specified sequence. Tighten 8 N·m (71 lb in)
4	Control Valve Assembly
5	Fluid Pump Seal Discard seal and replace with new.
6	Fluid Pump Seal Discard seal and replace with new.
7	Centre Support Fluid Passage Seal Discard seal and replace with new.