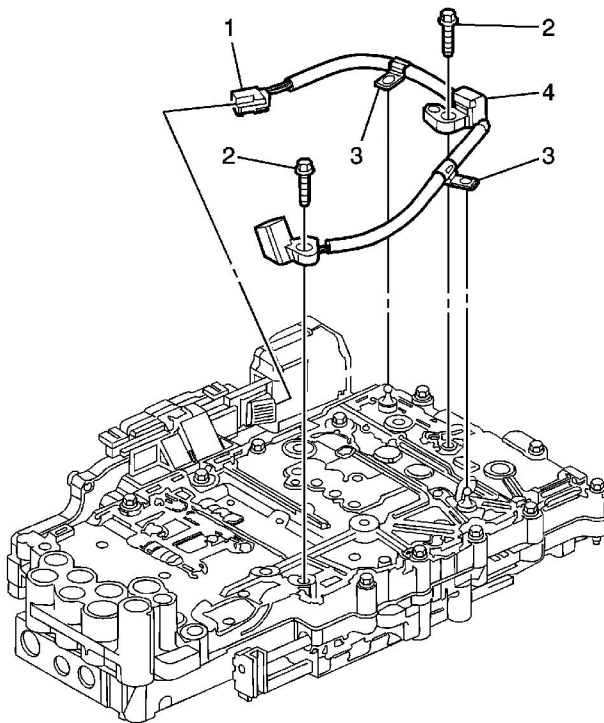


Input and Output Speed Sensor Replacement



Callout	Component Name
<p>Preliminary Procedures</p> <ol style="list-style-type: none"> 1. Raise and support the vehicle. Refer to Lifting and Jacking the Vehicle. 2. Remove the transmission fluid pan and filter. Refer to Automatic Transmission Fluid, Fluid Pan and/or Filter Replacement. 3. Remove the upper and lower valve body assembly. Refer to Control Valve Lower Body and Upper Body Replacement. 	
1	Speed Sensor Electrical Connector
2	Input and Output Speed Sensor Assembly Bolts (Qty: 2) Caution: Refer to Fastener Caution in the Preface section. Tighten 12 N·m (106 lb in)
3	Input and Output Speed Sensor Assembly Clips (Qty: 2) Tip Inspect the wiring harness clips for damage replace if necessary.
4	Input and Output Speed Sensor Assembly

© 2013 General Motors Corporation. All rights reserved.