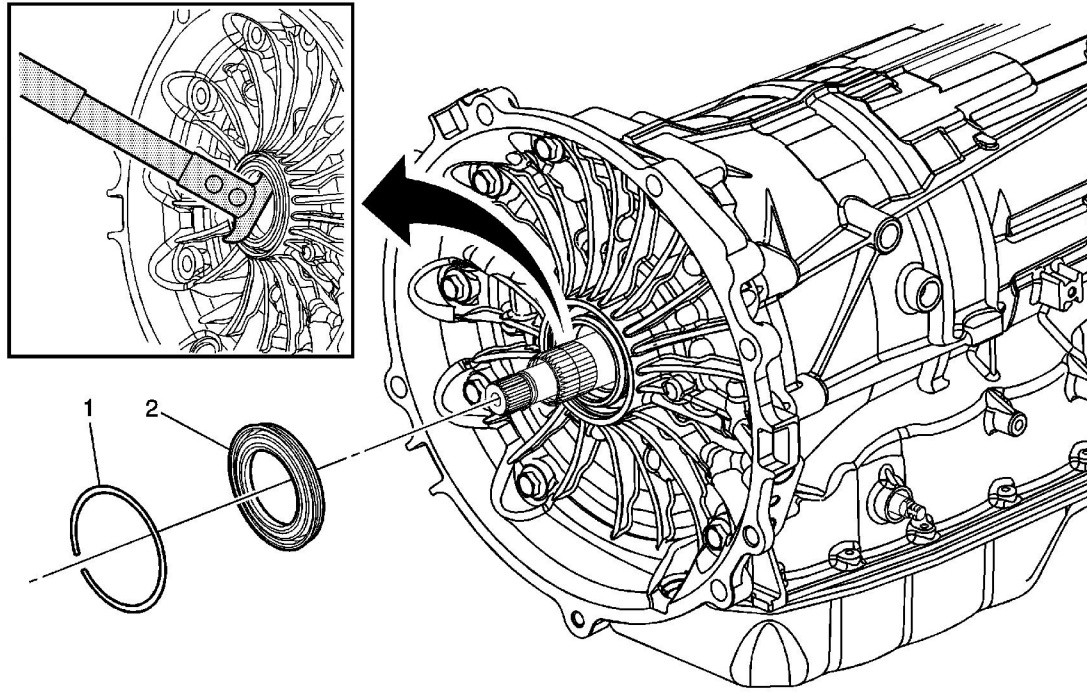


Torque Converter Fluid Seal Replacement



Callout	Component Name
<i>Fastener Tightening Specifications:</i> Refer to Fastener Tightening Specifications .	
Preliminary Procedures Remove the torque converter. Refer to Torque Converter Replacement .	
1	Torque Converter Fluid Seal Retaining Ring
2	Torque Converter Fluid Seal Tip Remove seal using J 45000