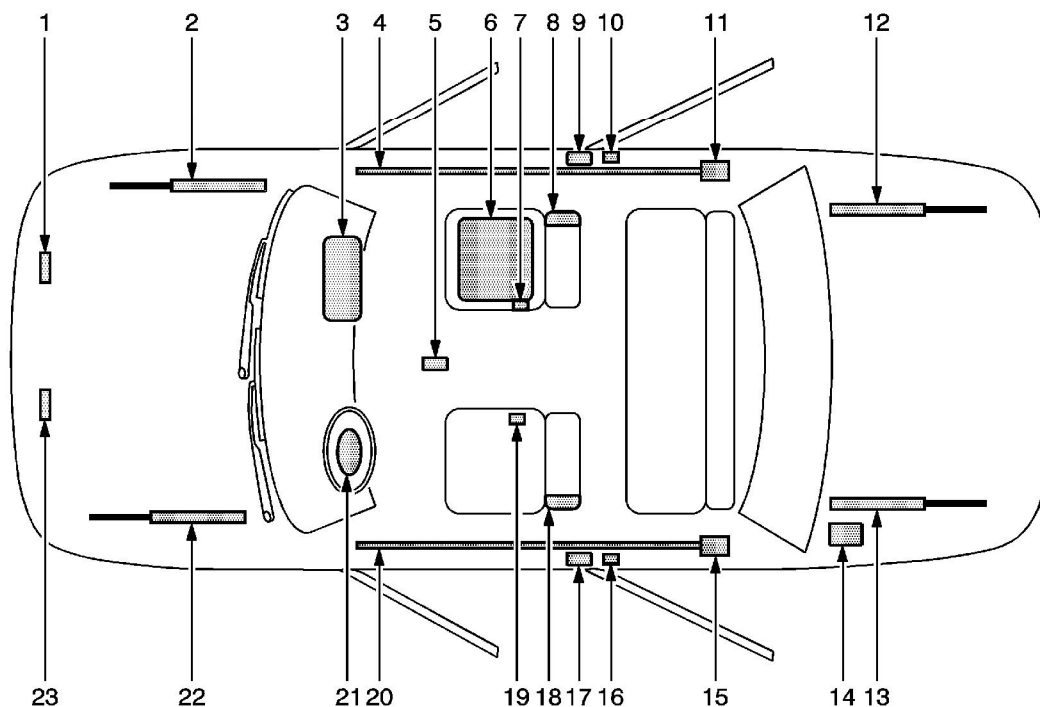


SIR Identification Views

The SIR Identification Views shown below illustrate the approximate location of all SIR components available for the vehicle. This will assist in determining the appropriate SIR Disabling and Enabling for a given service procedure, refer to [SIR Disabling and Enabling](#).

G8



- (1) Front End Sensor--Located under the hood at the front right side of the vehicle
- (2) Front Hood Assist Rod--A gas shock located under the front hood on the passenger side
- (3) I/P Air Bag--Located at the top right under the instrument panel
- (4) Roof Rail Air Bag--Located under the headliner, extending from the passenger front windshield pillar to the passenger rear windshield pillar
- (5) Sensing and Diagnostic Module (SDM)--Located underneath the center console
- (6) Passenger Presence System (PPS)--Located on the passenger front seat underneath the seat bottom trim
- (7) Seat Belt Pretensioner--Located under the passenger front seat on the left rear side
- (8) RF Side Impact Air Bag--Located on the seat back of passenger seat
- (9) Side Impact Sensor (SIS)--Located under the trim near the bottom of the center pillar on the passenger side of vehicle
- (10) Seat Belt Retractor Pretensioner--Located under the trim near the bottom of the center pillar on the passenger side of vehicle

© 2013 General Motors Corporation. All rights reserved.

- (11) Inflator Module for Roof Rail Air Bag--Located behind the garnish molding on the upper rear pillar
- (12) Rear Hood Assist Rod--A gas shock located under the rear truck lid on the passenger side
- (13) Rear Hood Assist Rod--A gas shock located under the rear truck lid on the driver side
- (14) Vehicle Battery--Located at the front left of the trunk
- (15) Inflator Module for Roof Rail Air Bag--Located behind garnish molding on the upper rear pillar
- (16) Seat Belt Retractor Pretensioner--Located under the trim near the bottom of the center pillar on the driver side of vehicle
- (17) Side Impact Sensor (SIS)--Located under the trim near the bottom of the center pillar on the driver side of vehicle
- (18) LF Side Impact Air Bag--Located on the seat back of driver seat
- (19) Seat Belt Pretensioner--Located under the driver front seat on the right rear side
- (20) Roof Rail Air Bag--Located under the headliner, extending from the driver front windshield pillar to the driver rear windshield pillar
- (21) Steering Wheel Air Bag--Located on the steering wheel
- (22) Front Hood Assist Rod--A gas shock located under the front hood on the driver side
- (23) Front End Sensor--Located under the hood at the front left side of the vehicle