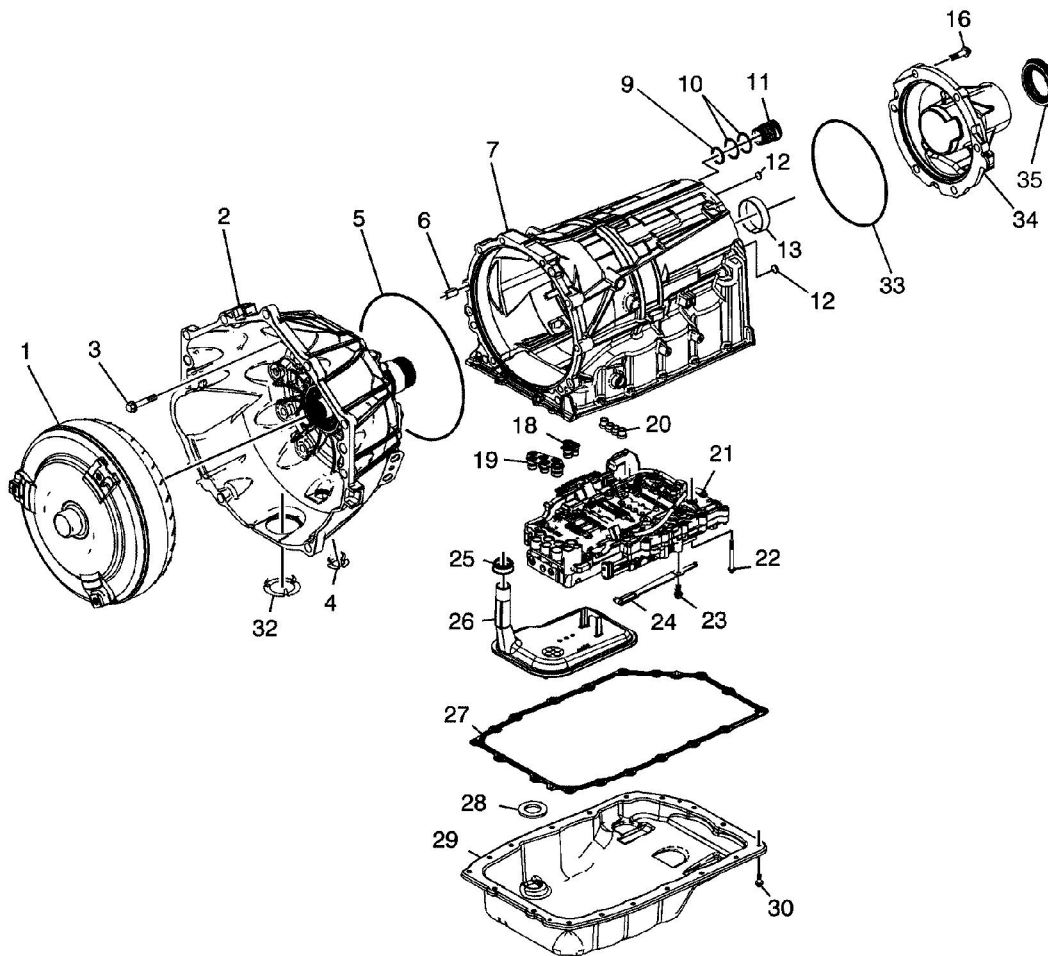


Case and Associated Parts



- (1) Torque Converter Assembly
- (2) Torque Converter (with Fluid Pump) Housing Assembly - Model Dependent
- (3) Bolt, M10 x 50 mm
- (4) Torque Converter Housing Access Hole Cover - Model Dependent
- (5) A/Trans Fluid Pump Seal
- (6) Torque Converter Housing Locator Pin
- (7) A/Trans Case Assembly
- (9) A/Trans Connector Seal
- (10) A/Trans Connector (O-ring) Seal
- (11) A/Trans Electrical Connector Passage Sleeve
- (12) A/Trans Case Plug

© 2013 General Motors Corporation. All rights reserved.

- (13) Output Shaft Bushing
- (16) Bolt, M10 x 40 mm - Model Dependent
- (18) A/Trans Fluid Pump Seal Assembly
- (19) A/Trans Fluid Pump Seal Assembly
- (20) Centre Support Fluid Passage Seal Assembly
- (21) Control (with Body and Valve) Valve Assembly
- (22) Bolt, M5 x 73 mm
- (23) Bolt, M6 x 14.5 mm
- (24) Manual Shaft Detent Assembly
- (25) A/Trans Fluid Filter Seal Assembly
- (26) A/Trans Fluid Filter Assembly
- (27) A/Trans Fluid Pan Gasket
- (28) A/Trans Fluid Pan Magnet
- (29) A/Trans Fluid Pan Assembly
- (30) Bolt, M6 x 20 mm
- (32) Torque Converter Housing Access Hole Cover
- (33) A/Trans Case Extension Seal
- (34) A/Trans Case Extension
- (35) Prop Shaft Oil Seal