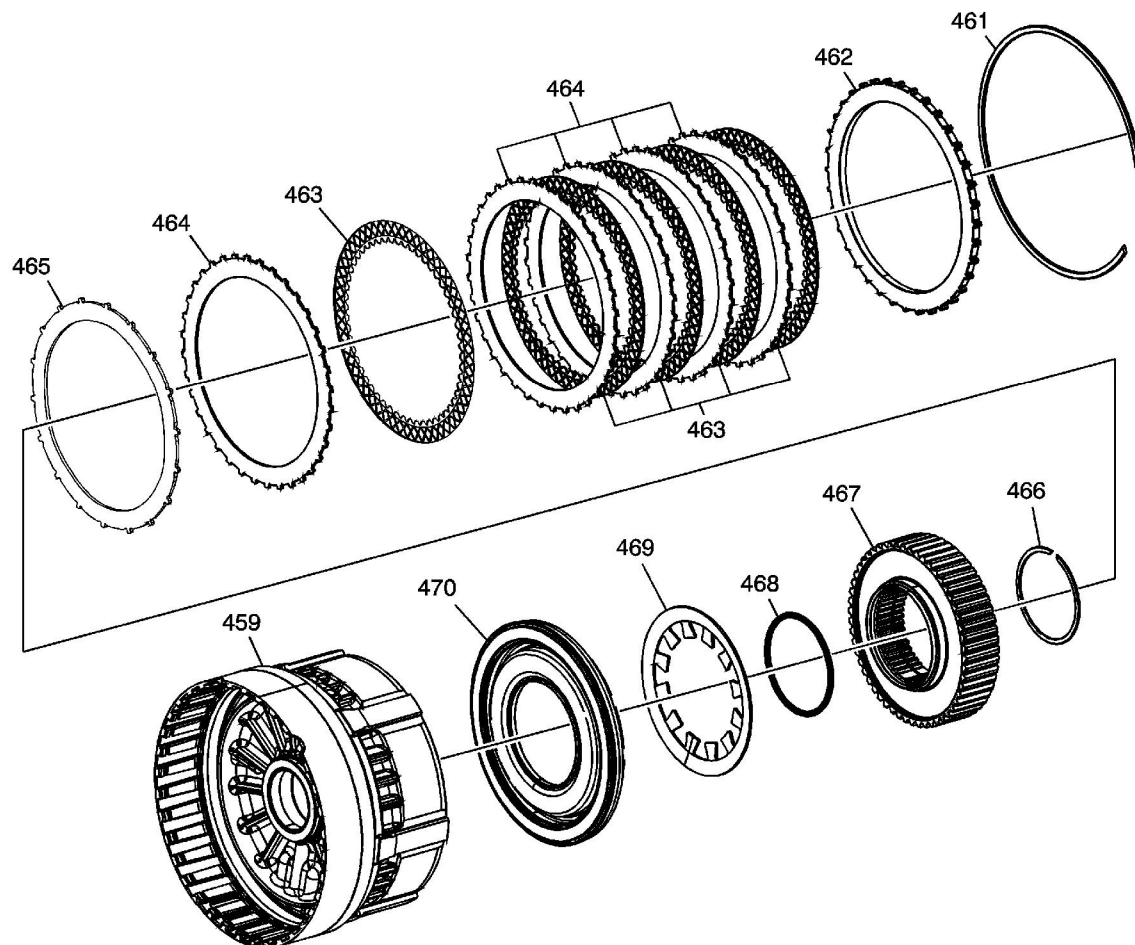


Low and Reverse Clutch Assembly



- (459) Center Support Assembly
- (461) Low and Reverse Clutch Backing Plate Retaining Ring
- (462) Low and Reverse Clutch Backing Plate
- (463) Low and Reverse Clutch Plate Assembly
- (464) Low and Reverse Clutch Plate
- (465) Low and Reverse Clutch (Waved) Plate
- (466) Low and Reverse Clutch Spring Retaining Ring
- (467) Low Clutch Sprag Assembly
- (468) Low Clutch Sprag Seal
- (469) Low and Reverse Clutch Spring
- (470) Low and Reverse Clutch Piston Assembly

© 2013 General Motors Corporation. All rights reserved.