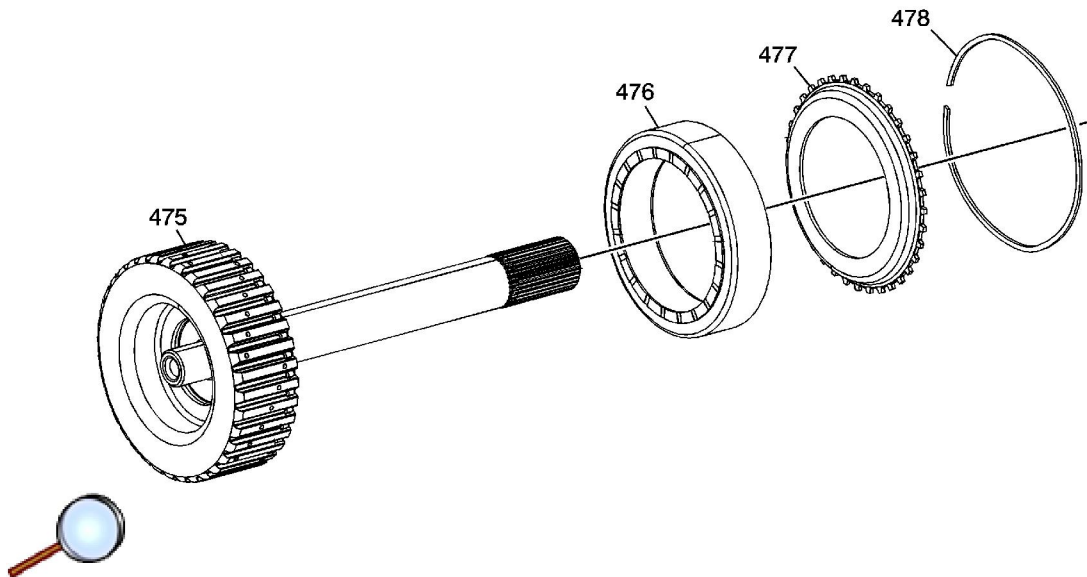


4-5-6 Clutch Hub Assembly



- (475) 4-5-6 Clutch (w/ Output Carrier Shaft) Hub Assembly
- (476) 4-5-6 Clutch Dampener
- (477) 4-5-6 Clutch Dampener Apply Plate
- (478) 4-5-6 Clutch Dampener Retaining Ring