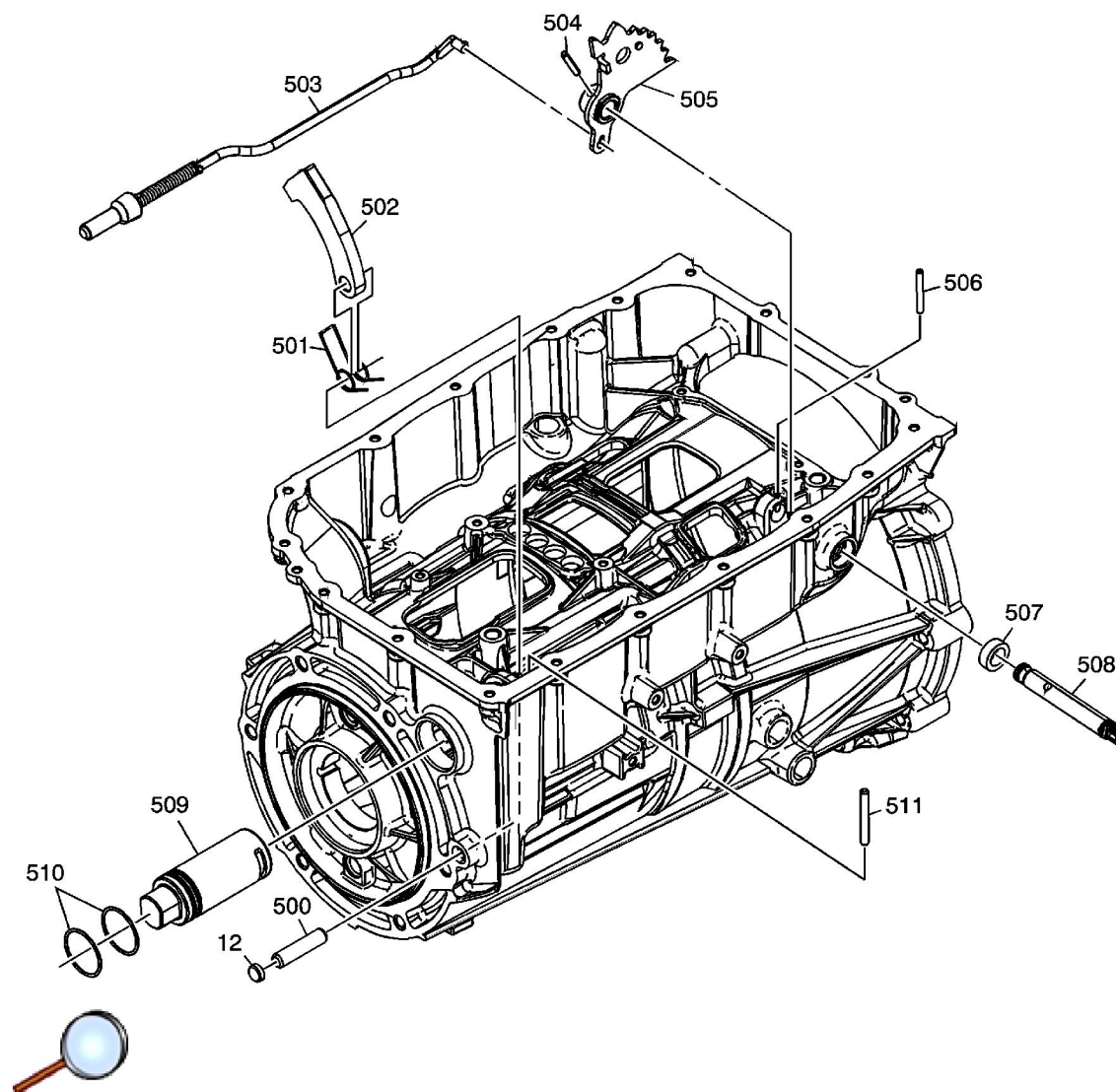


Park System Components



- (12) A/Trans Case Plug
- (500) Park Pawl Shaft
- (501) Park Pawl Spring
- (502) Park Pawl
- (503) Park Pawl Actuator Assembly
- (504) Manual Shaft Detent Lever Hub Pin
- (505) Manual Shaft Detent Lever Assembly
- (506) Manual Shift Shaft Pin
- (507) Manual Shift Shaft Seal
- (508) Manual Shift Shaft
- (509) Park Pawl Actuator Guide

© 2013 General Motors Corporation. All rights reserved.

(510) Park Pawl Actuator Guide (O-ring) Seal

(511) Park Pawl Actuator Guide Pin