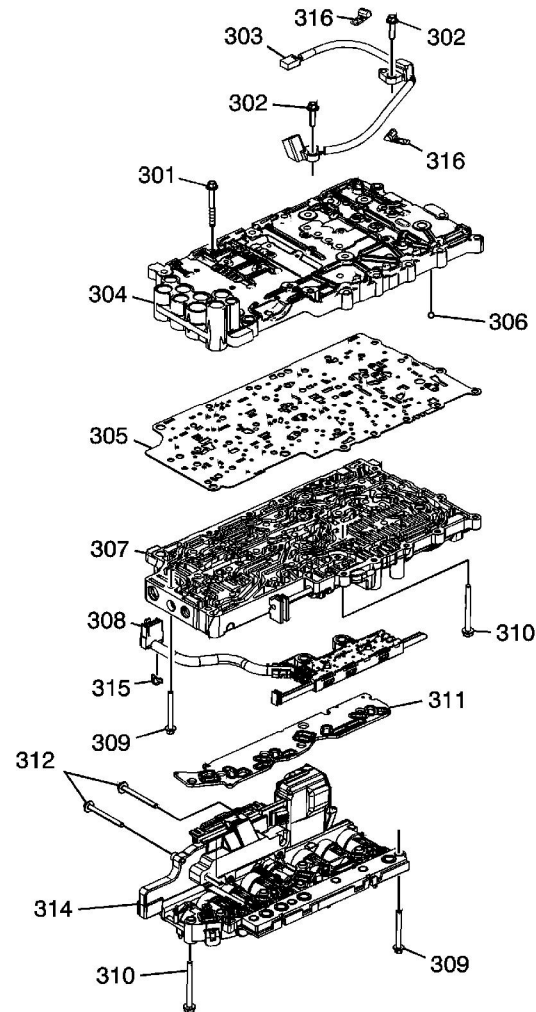


Control (with Body and Valve) Valve Assembly



- (301) Bolt, M5 x 36 mm
- (302) Bolt, M6 x 20 mm
- (303) A/Trans Input and Output Speed Sensor Assembly
- (304) Control Valve Upper Body Assembly
- (305) Control Valve Body Spacer (w/ Gasket) Plate Assembly
- (306) Control Valve Body Ball Check Valve
- (307) Control Valve Lower Body Assembly
- (308) A/Trans Manual Shift Shaft Position Switch Assembly
- (309) Bolt, M5 x 45 mm
- (310) Bolt, M5 x 55 mm
- (311) Filter Plate Assembly

© 2013 General Motors Corporation. All rights reserved.

(312) Bolt, M5 x 53 mm

(314) Control Solenoid (w/ Body and TCM) Valve Assembly

(315) A/Trans Manual Shaft Position Switch Wiring Harness Clip

(316) A/Trans Input and Output Speed Sensor Wiring Harness Clip