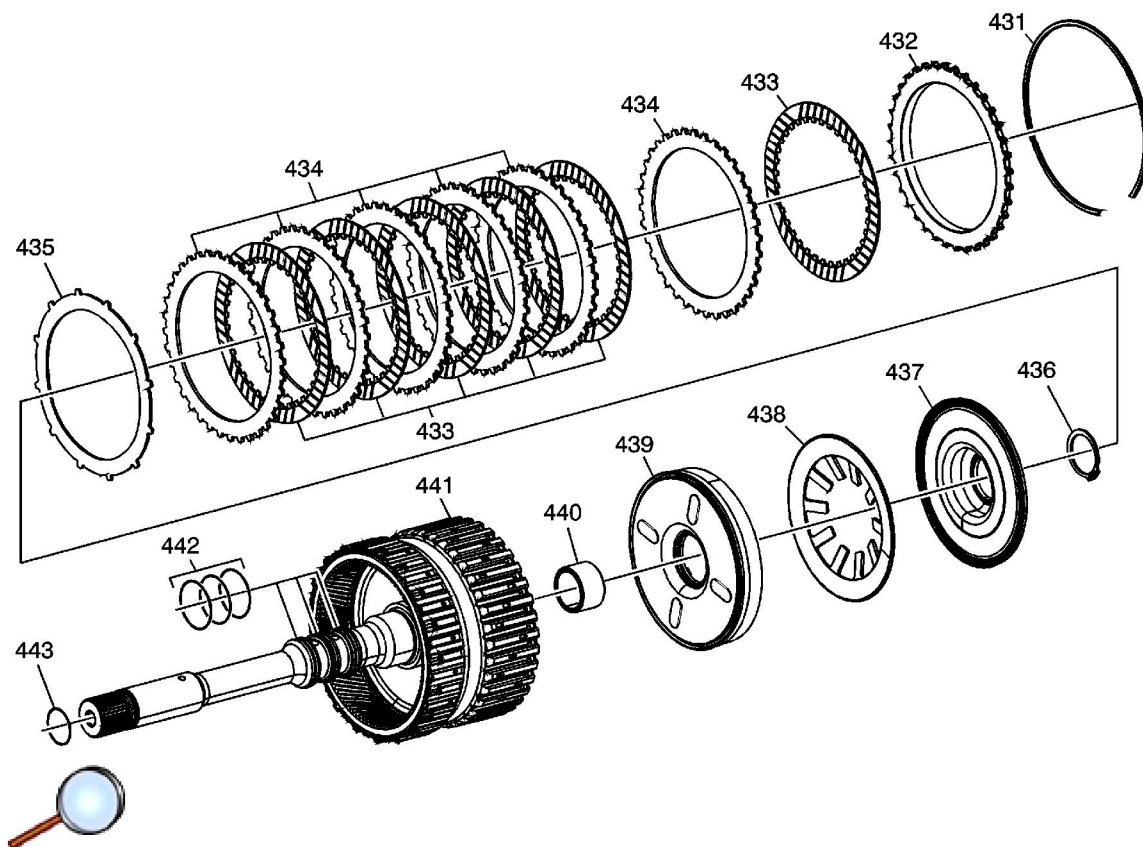


4-5-6 (w/Turbine Shaft) Clutch Assembly



- (431) 4-5-6 Clutch Backing Plate Retaining Ring
- (432) 4-5-6 Clutch Backing Plate
- (433) 4-5-6 Clutch Plate Assembly
- (434) 4-5-6 Clutch Plate
- (435) 4-5-6 Clutch (Waved) Plate
- (436) 4-5-6 Clutch Piston Dam Retaining Ring
- (437) 4-5-6 Clutch Piston Dam Assembly
- (438) 4-5-6 Clutch Spring
- (439) 4-5-6 Clutch Piston Assembly
- (440) Output Carrier Shaft Housing Bushing
- (441) 4-5-6 (w/Turbine Shaft) Housing Assembly
- (442) Turbine Shaft Fluid Seal Ring
- (443) Turbine Shaft (O-ring) Seal