

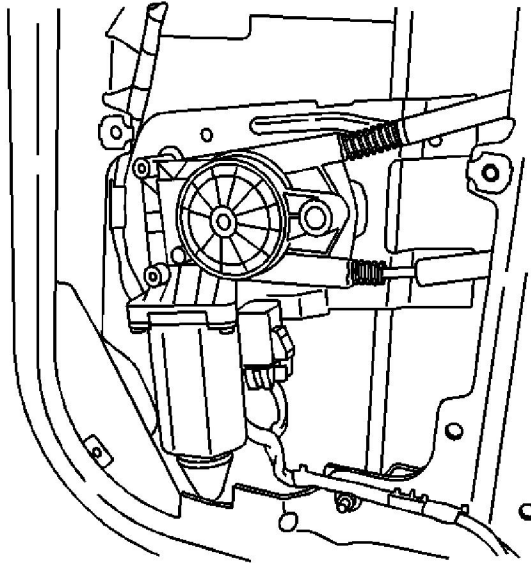
Rear Side Door Window Regulator Motor Replacement

Removal Procedure

1. Raise the window.

If the window motor is inoperable, remove the window to gain access to the window motor retaining screws. Refer to [Rear Side Door Window Replacement](#) .

2. Remove the door trim panel. Refer to [Rear Side Door Trim Panel Replacement](#) .
3. Remove the water deflector. Refer to [Rear Side Door Water Deflector Replacement](#) .
4. Remove the door speaker. Refer to [Radio Rear Side Door Speaker Replacement in Entertainment](#).
5. Support the window.
6. Disconnect the wiring harness from the window regulator motor.



7. Remove the 3 bolts from the window motor located on the front side of the motor.

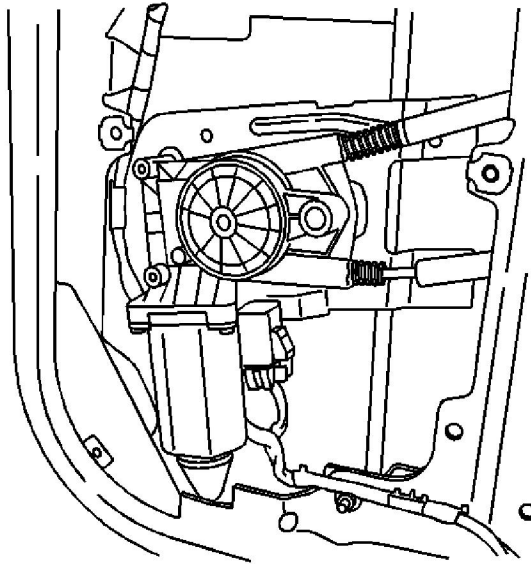
Important: Do not allow the cable gear come out of the housing. A failure will result with the cable coming off the spool.

8. Separate the motor from the cable housing by wiggling the window motor.

Observe the orientation of the window motor.

9. Remove the motor from the window regulator assembly.

Installation Procedure



1. Install the motor to the cable housing by wiggling motor into place.

Notice: Use the correct fastener in the correct location. Replacement fasteners must be the correct part number for that application. Fasteners requiring replacement or fasteners requiring the use of thread locking compound or sealant are identified in the service procedure. Do not use paints, lubricants, or corrosion inhibitors on fasteners or fastener joint surfaces unless specified. These coatings affect fastener torque and joint clamping force and may damage the fastener. Use the correct tightening sequence and specifications when installing fasteners in order to avoid damage to parts and systems.

2. Install the 3 bolts to the window motor.

Tighten

Tighten the bolts to 5 N·m (44 lb in).

3. Install the window, if removed. Refer to [Rear Side Door Window Replacement](#) .
4. Connect the wiring harness to the window regulator motor.
5. Remove the window support.
6. Connect the wire connector to the switch to inspect the operation of the window.
7. Install the speaker. Refer to [Radio Rear Side Door Speaker Replacement](#) in Entertainment.
8. Install the water deflector. Refer to [Rear Side Door Water Deflector Replacement](#) .
9. Install the door trim panel. Refer to [Rear Side Door Trim Panel Replacement](#) .