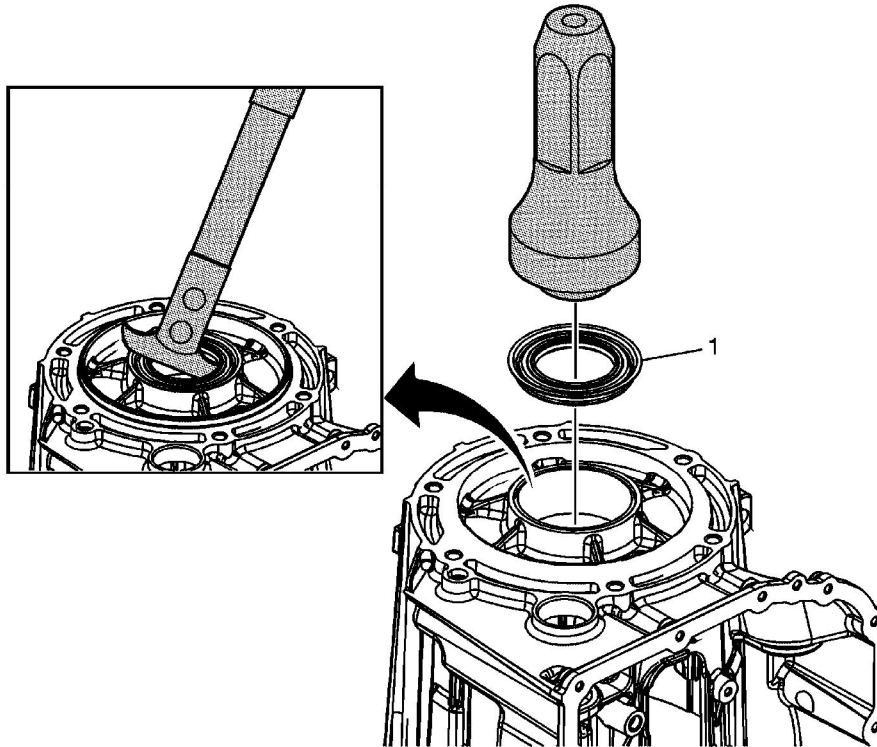


Output Shaft Seal Replacement



Callout	Component Name
1	Output Shaft Seal Caution: Do not reuse the seals. Replace with NEW seals. Reusing old seals may cause transmission damage. Special Tools <ul style="list-style-type: none"> • J 38693 . • J 45000 .