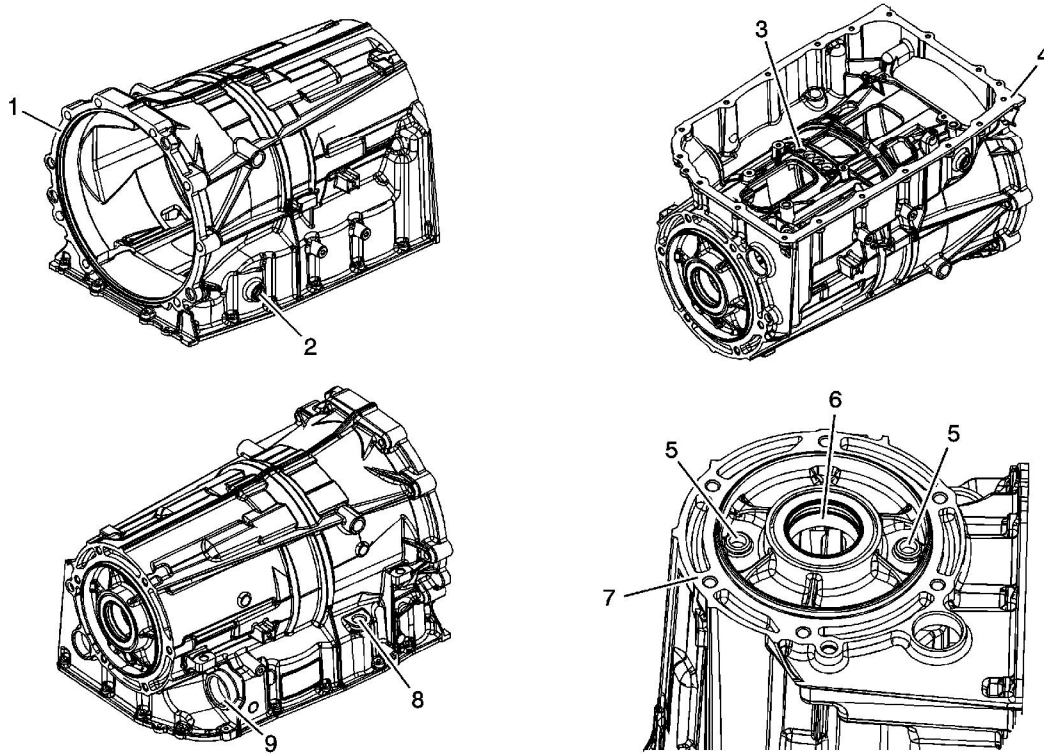


## Case Inspection



Callout	Component Name
<p><b>Caution:</b> After cleaning the transmission components, allow to air dry. Do not use cloth or paper towels in order to dry any transmission components. Lint from the towels can cause component failure.</p> <p><b>Caution:</b> Do not reuse cleaning solvents. Previously used solvents may deposit sediment which may damage the component.</p> <p><b>Preliminary Procedures</b></p> <ol style="list-style-type: none"> <li>1. Thoroughly clean the transmission case assembly, including case threads, with clean solvent.</li> <li>2. Clean gasket sealing surfaces. Remove all residual gasket material.</li> <li>3. Inspect all threaded holes. If necessary, repair any thread damage.</li> </ol>	
1	Front Case Sealing Surface
2	Manual Shift Shaft Seal  <b>Tip</b> Refer to <a href="#">Manual Shift Shaft Seal Replacement</a> .
3	Center Support Fluid Passage Seal Bores

4	Fluid Pan Sealing Surface
5	Case Plugs
6	Output Shaft Bushing or Bearing (model specific)
7	Rear Case Sealing Surface
8	Fill Tube Bore
9	Electrical Connector Passage Sleeve Bore