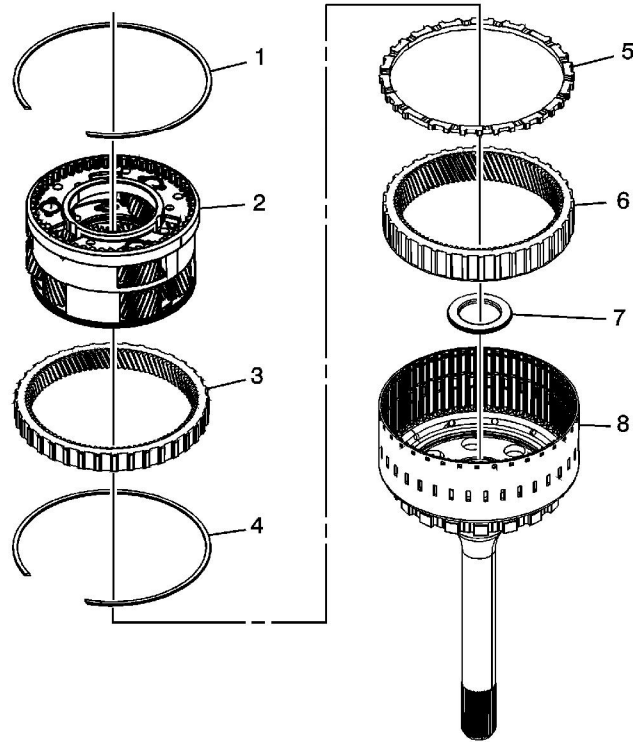


## Output Shaft Disassemble



Callout	Component Name
<b>Tip</b> Inspect each component and replace as necessary.	
1	Output Carrier Internal Gear Retaining Ring
2	Output Carrier Assembly
3	Output Carrier Internal Front Gear
4	Output Carrier Internal Gear Retaining Ring
5	Output Carrier Internal Gear Spacer
6	Output Carrier Internal Rear Gear
7	Output Carrier Thrust Bearing Assembly
8	Output Shaft Assembly