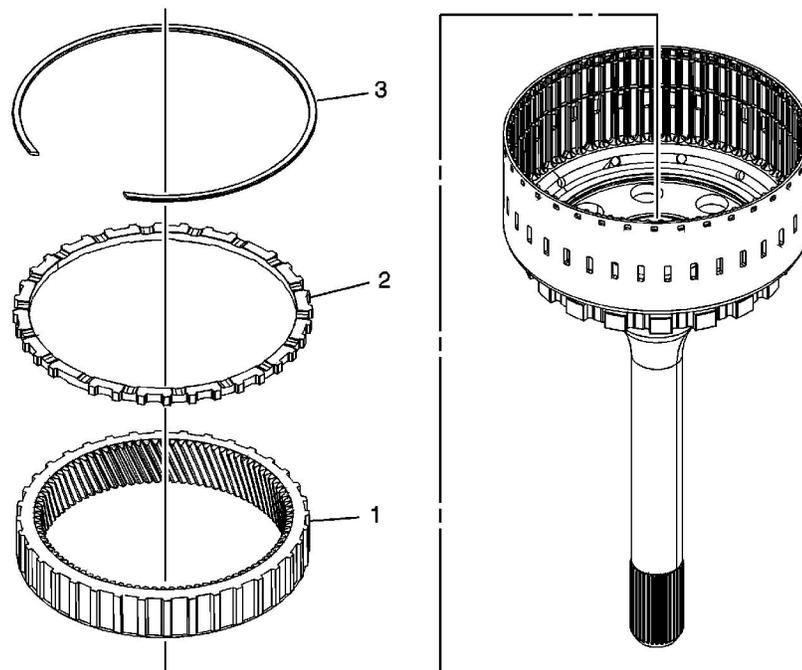


## Output Shaft Assemble



Callout	Component Name
1	Output Carrier Internal Rear Gear <b>Caution:</b> Install the gear chamfer side down. Failure to install the gear chamfer side down may result in transmission damage.
2	Output Gear Internal Gear Spacer
3	Output Carrier Internal Gear Retaining Ring <b>Tip</b> Do not install the output carrier internal front gear and retaining ring yet. These components will be installed during assembly of the output carrier to the output shaft.