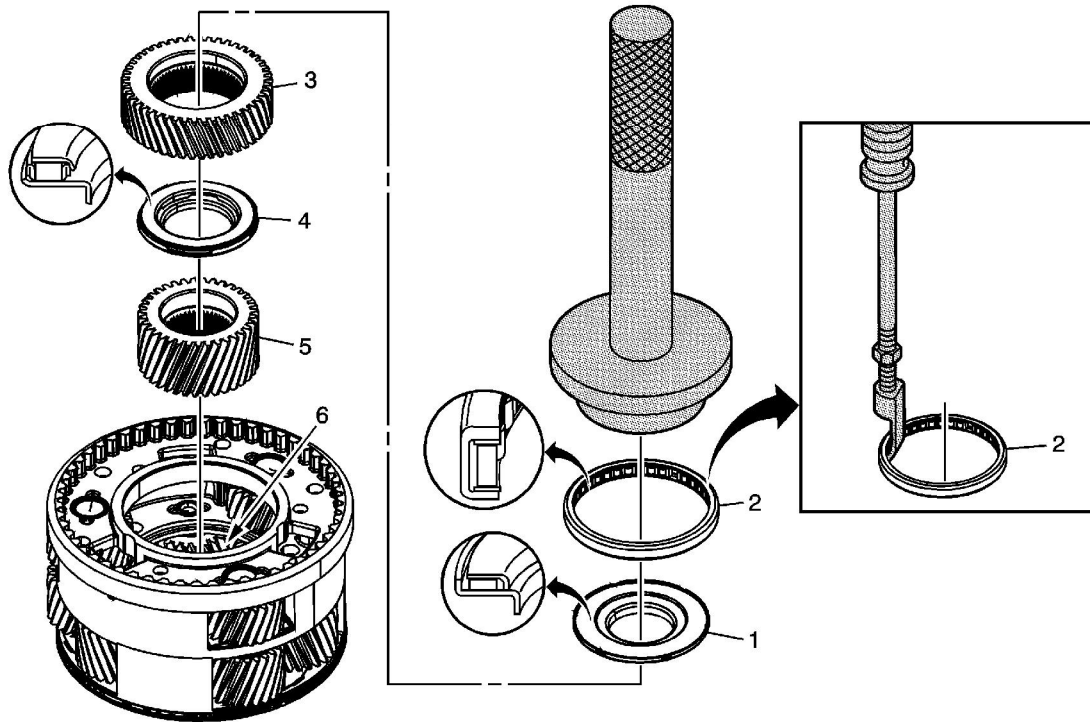


Output Carrier Assembly Overhaul (6L80)



Callout	Component Name
1	Output Carrier Front Sun Gear Thrust Bearing Assembly
	Center Support Roller Bearing
	<p>Caution: Do not reuse the center support roller bearing. Install a NEW center support roller bearing. Reusing an old bearing may result in damage to the output carrier.</p> <p>Tip The thick side of the bearing shell faces up.</p>
2	<p>Special Tools</p> <ul style="list-style-type: none"> • DT 47857 Bearing Installer • J 6125-B Slide Hammer • J 8092 Driver Handle • J 23129 Universal Seal Remover <p>For equivalent regional tools, refer to Special Tools.</p>

3	Output Carrier Front Sun Gear Caution: Install the gear chamfer side up. Failure to install the gear chamfer side up may result in transmission damage.
4	Output Carrier Front Sun Gear Rear Thrust Bearing Assembly
5	Output Carrier Rear Sun Gear Caution: Install the gear chamfer side up. Failure to install the gear chamfer side up may result in transmission damage.
6	Output Carrier Rear Sun Gear Bearing Assembly Tip Inspect for damage only. Do not remove. The bearing assembly is not a serviceable component.