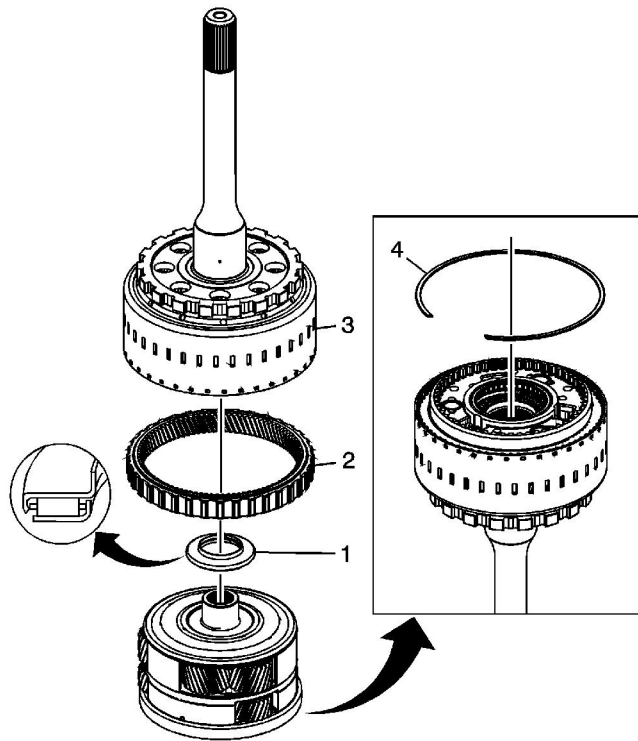


## Output Carrier to Output Shaft Assemble



Callout	Component Name
1	Output Carrier Thrust Bearing Assembly
2	Output Carrier Internal Front Gear <b>Caution:</b> Install the gear flat side down. Failure to install the gear flat side down may result in transmission damage.
3	Output Shaft Assembly
4	Output Carrier Internal Gear Retaining Ring <b>Tip</b> Grasp the output shaft and carrier with both hands to turn over.