

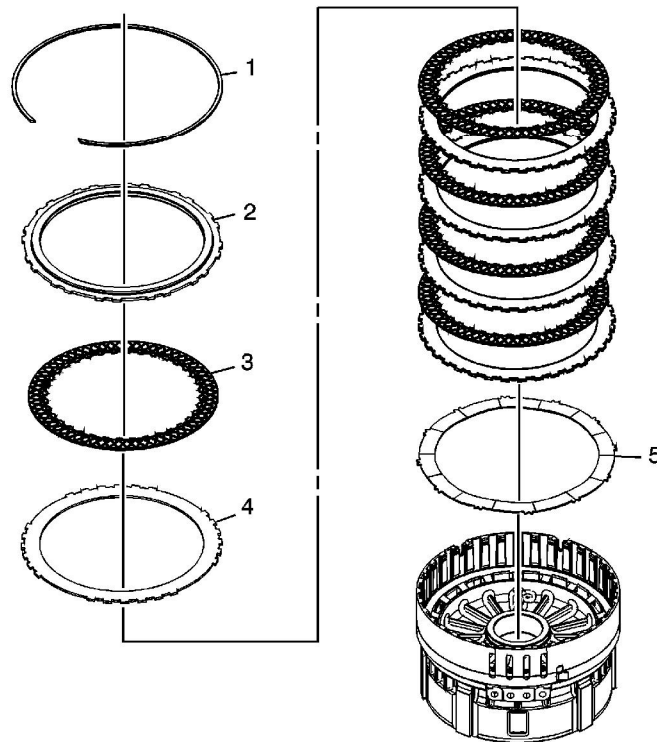
## 2-6 Clutch Overhaul (6L80)

Table 1: [2-6 Clutch Plates Removal](#)

Table 2: [2-6 Clutch Piston Replacement](#)

Table 3: [2-6 Clutch Plates Installation](#)

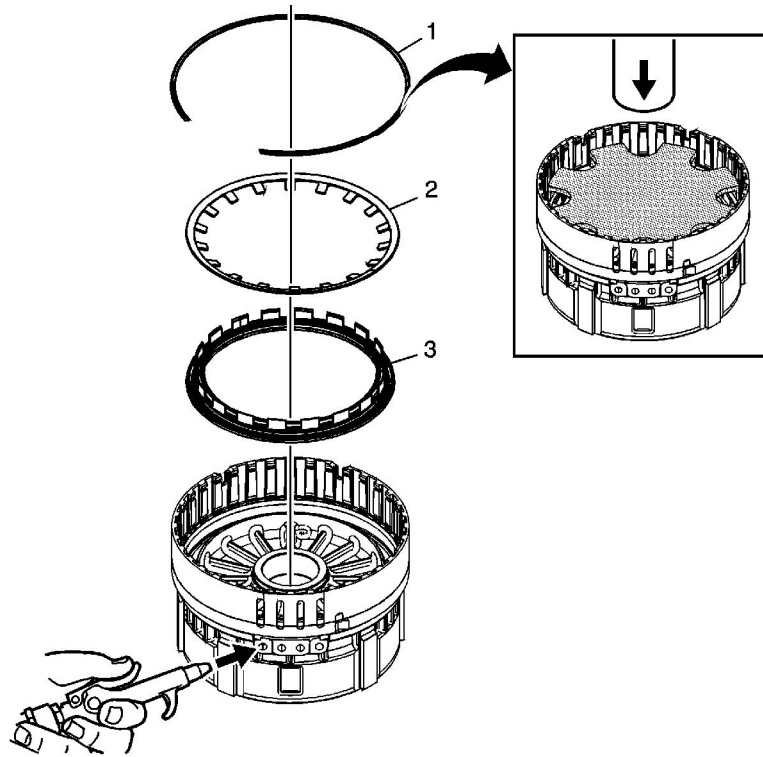
### 2-6 Clutch Plates Removal



### 2-6 Clutch Plates Removal

Callout	Component Name
1	2-6 Clutch Backing Plate Retaining Ring
2	2-6 Clutch Backing Plate
3	2-6 Clutch Plate Assembly (Qty: 5)
4	2-6 Clutch Plate (Qty: 5)
5	2-6 Clutch (Waved) Plate

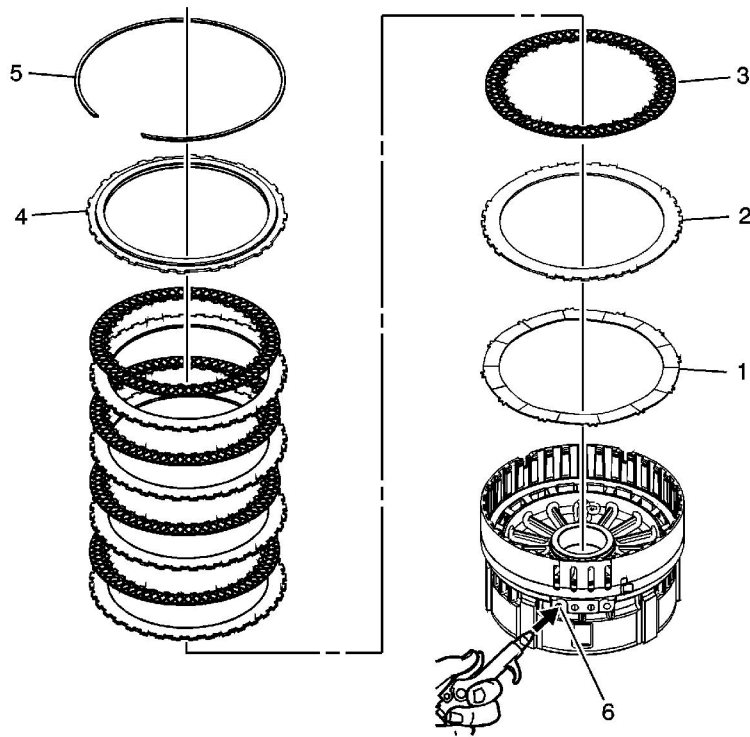
### 2-6 Clutch Piston Replacement



### 2-6 Clutch Piston Replacement

Callout	Component Name
1	2-6 Clutch Spring Retaining Ring <b>Tip</b> Ensure the <i>DT 47761</i> spring compressor is centered over the clutch spring. <b>Special Tool</b> <i>DT 47761</i> Clutch Spring Compressor For equivalent regional tools, refer to <a href="#">Special Tools</a> .
2	2-6 Clutch Spring <b>Caution:</b> Ensure the spring tabs are facing down during installation and that the tabs fit between the teeth on the piston. Failure to do so may cause damage to the clutch assembly.
3	2-6 Clutch Piston Assembly <b>Tip</b> It may be necessary to apply air to the apply passage in order to unseat the piston.

### 2-6 Clutch Plates Installation



### 2-6 Clutch Plates Installation

Callout	Component Name
1	2-6 Clutch (Waved) Plate
2	2-6 Clutch Plates (Qty: 5) <b>Tip</b> Alternate between steel and fiber clutch plates.
3	2-6 Clutch Plate Assembly (Qty: 5) <b>Tip</b> Alternate between steel and fiber clutch plates.
4	2-6 Clutch Backing Plate
5	2-6 Clutch Backing Plate Retaining Ring
6	2-6 Clutch Apply Passage <b>Tip</b> Apply air to verify proper installation of all 2-6 clutch components.