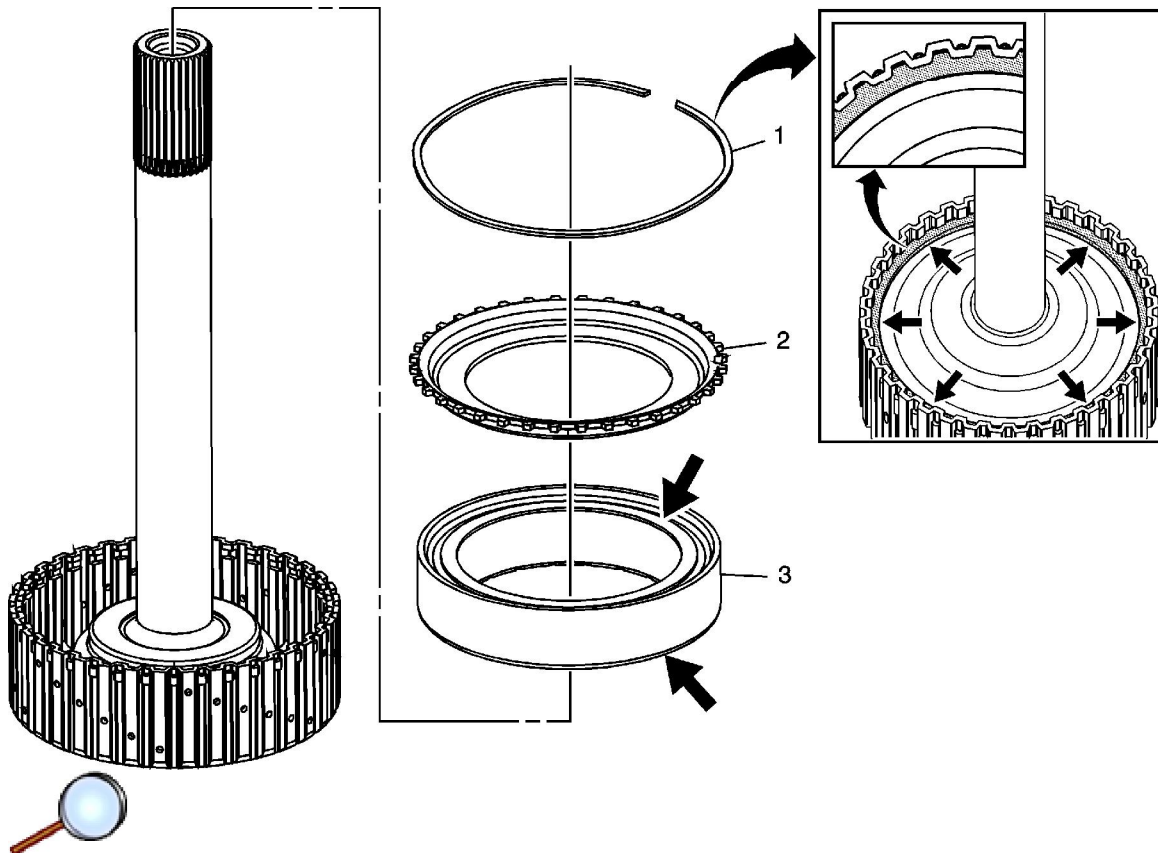


4-5-6 Clutch Dampener Overhaul



Callout	Component Name
1	4-5-6 Clutch Dampener Retaining Ring Caution: Ensure the retaining ring is installed with the tapered side up, and in the 9 o'clock position from the pan side of the case. Failure to properly install the retaining ring will cause transmission damage.
2	4-5-6 Clutch Dampener Apply Plate
3	4-5-6 Clutch Dampener Tip Dry and inspect the clutch dampener for the following conditions: <ul style="list-style-type: none"> • Pitting • Flaking • Delamination • Wear • Glazing • Cracking

© 2013 General Motors Corporation. All rights reserved.

If any of these conditions are found, replace the dampener.