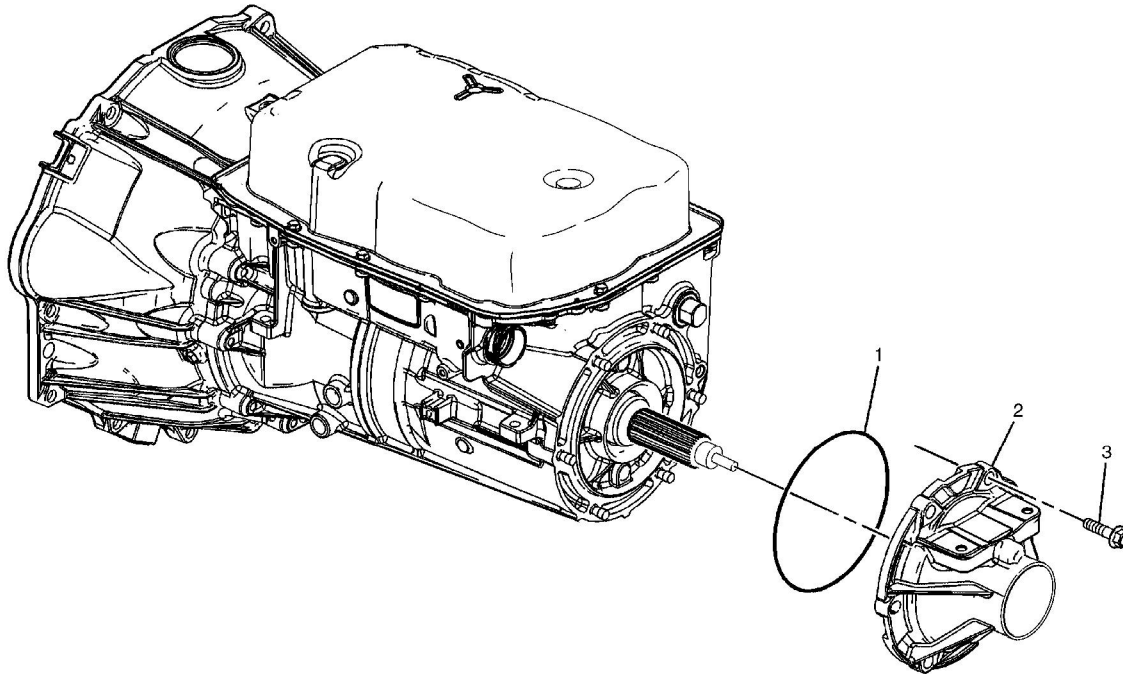


## Case Extension Assembly Removal



Callout	Component Name
1	Bolt M10 x 40 (Quantity: 6)
2	Case Extension
3	Case Extension Seal