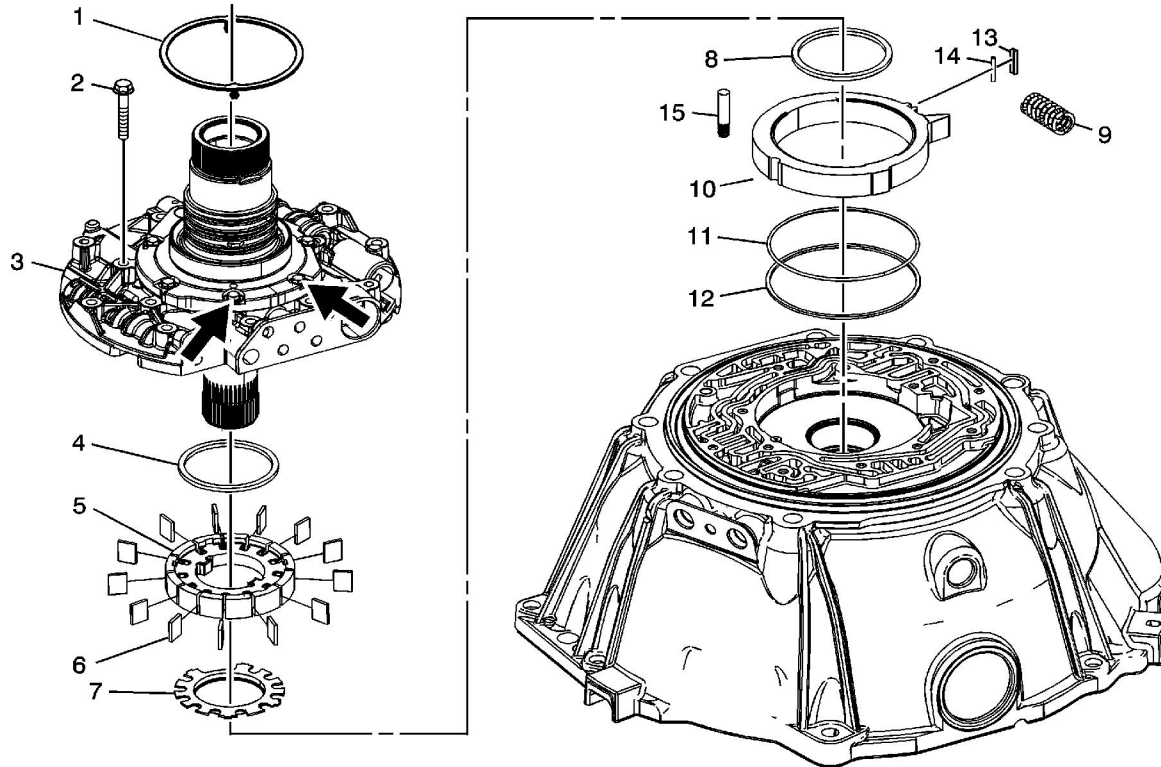


Torque Converter Housing with Fluid Pump Disassemble



Callout	Component Name
<p>Caution: Do not loosen or remove the 6 bolts securing the clutch support to the pump cover assembly. These bolts have been installed and torqued only after specific clutch support rotational requirements have been met. If the clutch support is not installed properly, damage to the transmission will occur.</p>	
1	1-2-3-4 and 3-5 Reverse Clutch Housing Thrust Washer
2	Bolt M6 x 40 (Qty: 13)
3	Fluid Pump Cover Assembly
4	Fluid Pump Vane Ring
5	Fluid Pump Rotor
6	Fluid Pump Vanes (Qty: 13)
7	Fluid Pump Rotor Guide
8	Fluid Pump Vane Ring
9	Fluid Pump Slide Outer Spring
10	Fluid Pump Slide
11	Fluid Pump Slide (O-Ring) Seal
<p>© 2013 General Motors Corporation. All rights reserved.</p>	

12	Fluid Pump Slide Fluid Seal Ring
13	Fluid Pump Slide Seal
14	Fluid Pump Slide Seal Support
15	Fluid Pump Slide Pivot Pin