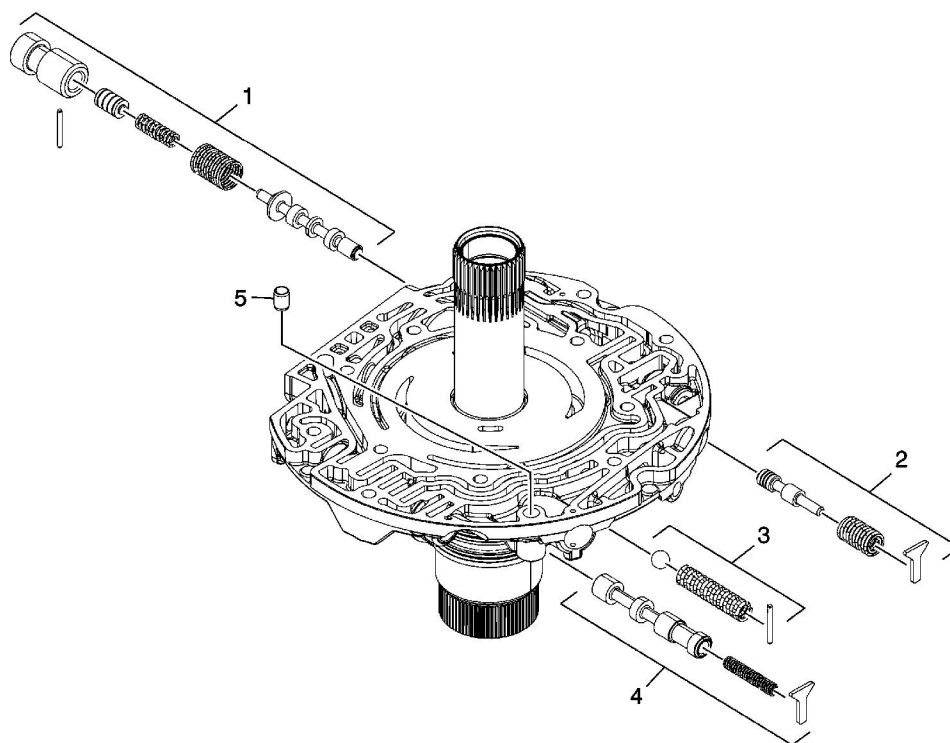


Fluid Pump Cover Cleaning and Inspection (6L80/6L90)



Callout	Component Name
<p>Warning: Valve springs can be tightly compressed. Use care when removing retainers and plugs. Personal injury could result.</p>	
<p>Preliminary Procedure</p>	
<p>Clean and inspect all components and machined surfaces.</p>	
1	Pressure Regulator Valve Train
2	Converter Feed Limit Valve Train
3	Pressure Relief Ball Valve and Spring
4	TCC Control Valve and Spring
5	A/Trans Fluid Pump Locator Pin