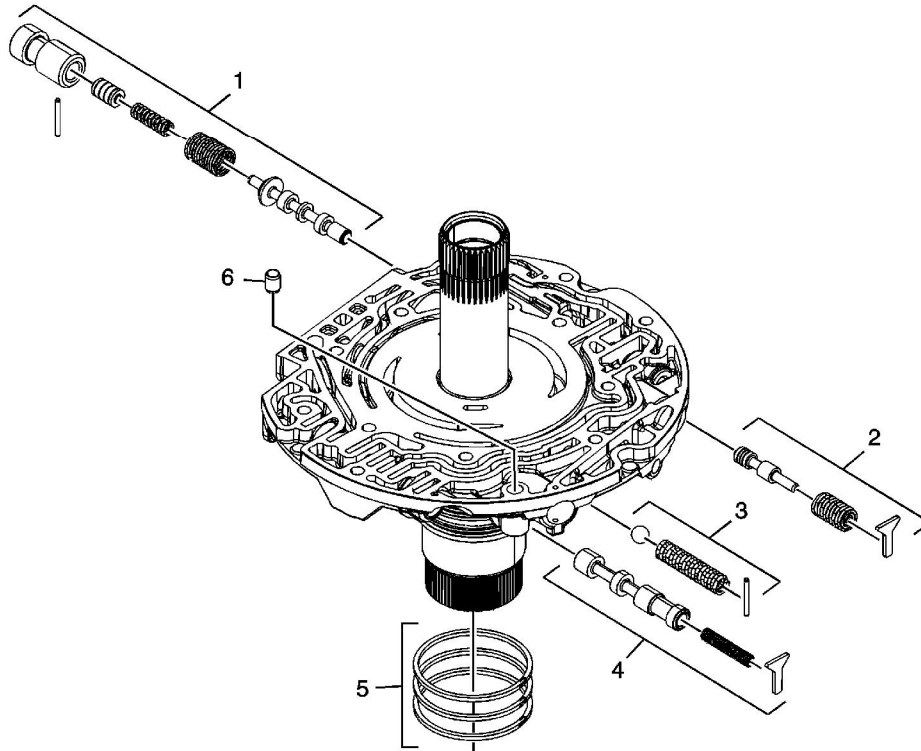


Transmission Fluid Pump Cleaning and Inspection



Callout	Component Name
<p>Warning: Valve springs can be tightly compressed. Use care when removing retainers and plugs. Personal injury could result.</p>	
<p>Tip Clean and inspect all components and machined surfaces.</p>	
1	Pressure Regulator Valve Train
2	Converter Feed Limit Valve Train
3	Pressure Relief Ball Valve and Spring
4	TCC Control Valve and Spring
5	1-2-3-4 and 3-5 Reverse Clutch Fluid Seal Rings (Quantity: 3) Tip Discard the seal rings and replace with NEW rings.
6	A/Trans Fluid Pump Locator Pin