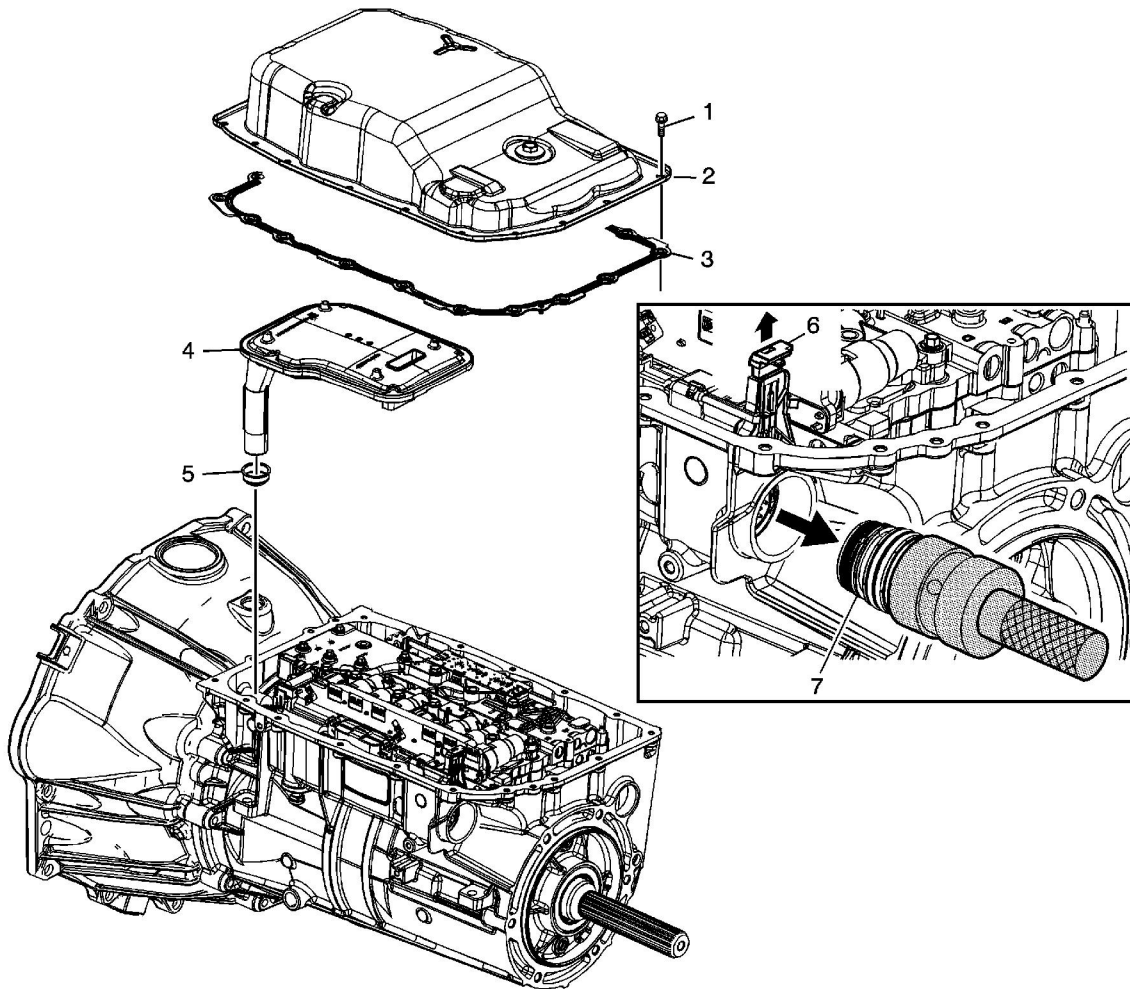


Transmission Fluid Pan, Filter and Electrical Connector Passage Sleeve Removal (6L80)



Callout	Component Name
1	Bolt M6 x 20 (Qty: 18)
2	Fluid Pan Assembly
3	Fluid Pan Gasket Tip The fluid pan gasket is reusable. Inspect the gasket to determine if it may be reused. If the gasket is stuck to the case or pan, it should be replaced.
4	Fluid Filter Assembly Caution: Pull the fluid filter assembly straight out to avoid damage. Do not bend or

© 2013 General Motors Corporation. All rights reserved.

	twist the filter neck.
5	<p>Fluid Filter Seal Assembly</p> <p>Caution: Do not damage the case sealing surface when removing the filter seal assembly.</p> <p>Tip Use a screwdriver or snap ring pliers.</p>
6	<p>Electrical Connector Slide Lock</p> <p>Caution: Pull up on the electrical connector slide lock to avoid damage to the connector.</p>
7	<p>Electrical Connector Passage Sleeve</p> <p>Tip Engage <i>DT 47715</i> electrical connector passage sleeve remover/installer on sleeve and pull straight out.</p> <p>Special Tools</p> <ul style="list-style-type: none"> • <i>DT 47715</i> Electrical Connector Passage Sleeve Remover/Installer • <i>J 42183</i> Driver Handle <p>For equivalent regional tools, refer to Special Tools.</p>