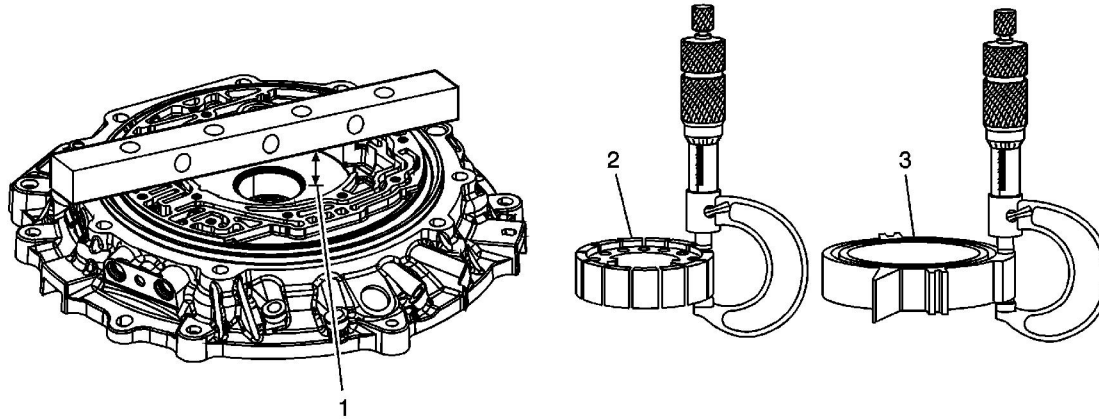


## Fluid Pump Selective Measurement



Callout	Component Name
1	Pump Rotor Cavity <b>Tip</b> Measure the distance from the bottom of the gauge bar to the bottom of the pump rotor cavity. Refer to <a href="#">Fluid Pump Selective Specifications</a> .
2	A/Trans Fluid Pump Rotor <b>Tip</b> Refer to <a href="#">Fluid Pump Selective Specifications</a> .
3	A/Trans Fluid Pump Slide <b>Tip</b> Refer to <a href="#">Fluid Pump Selective Specifications</a> .