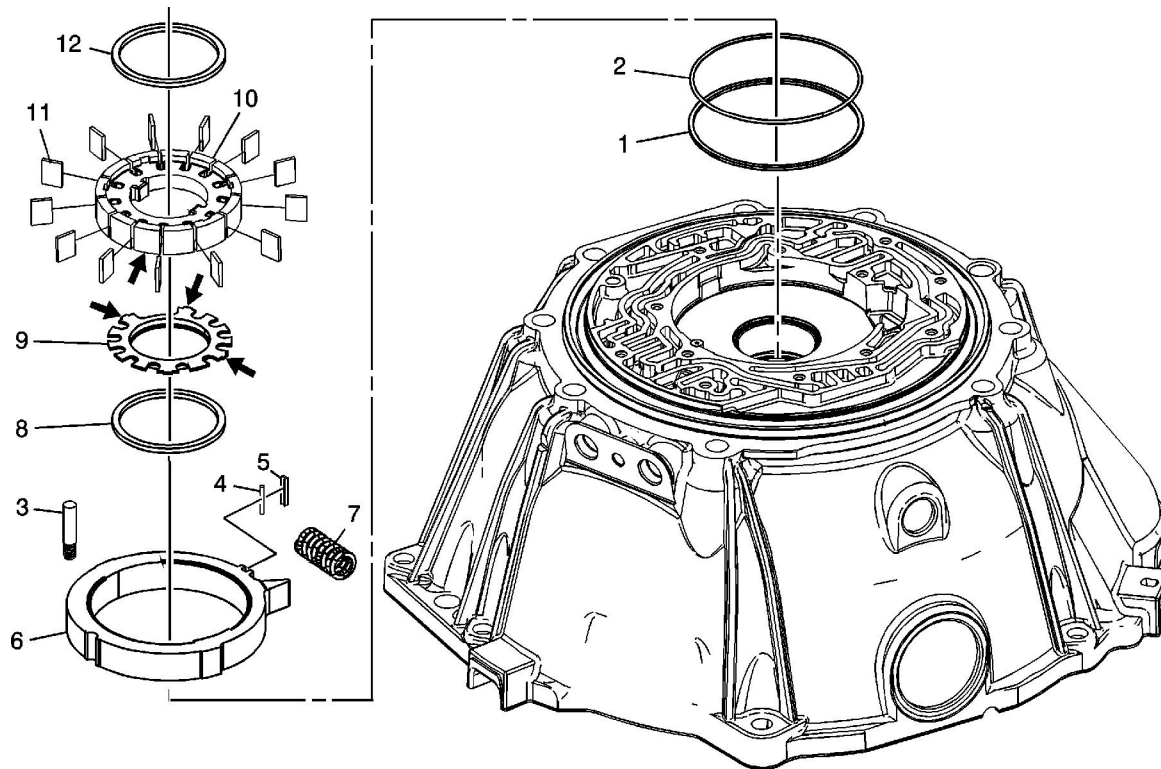


Torque Converter Housing with Fluid Pump Assemble



Callout	Component Name
1	Fluid Pump Slide Fluid Seal Ring
2	Fluid Pump Slide (O-Ring) Seal
3	Fluid Pump Slide Pivot Pin
4	Fluid Pump Slide Seal Support Tip The seal support is circular. The seal is rectangular.
5	Slide Seal
6	Fluid Pump Slide Tip If installing a NEW pump slide into the torque converter housing, ensure to properly select the correct rotor and slide before performing this procedure. Refer to Fluid Pump Selective Measurement and Fluid Pump Selective Specifications .
7	Fluid Pump Slide Outer Spring
8	Fluid Pump Vane Ring
9	Fluid Pump Rotor

	Caution: Align the rotor guide tabs to the notches on the bottom of the rotor. Failure to do so may cause transmission damage.
10	Fluid Pump Rotor Tip If installing a NEW pump rotor into the torque converter housing, ensure to properly select the correct rotor and slide before performing this procedure. Refer to Fluid Pump Selective Measurement and Fluid Pump Selective Specifications .
11	Fluid Pump Vanes (Qty: 13)
12	Fluid Pump Vane Ring