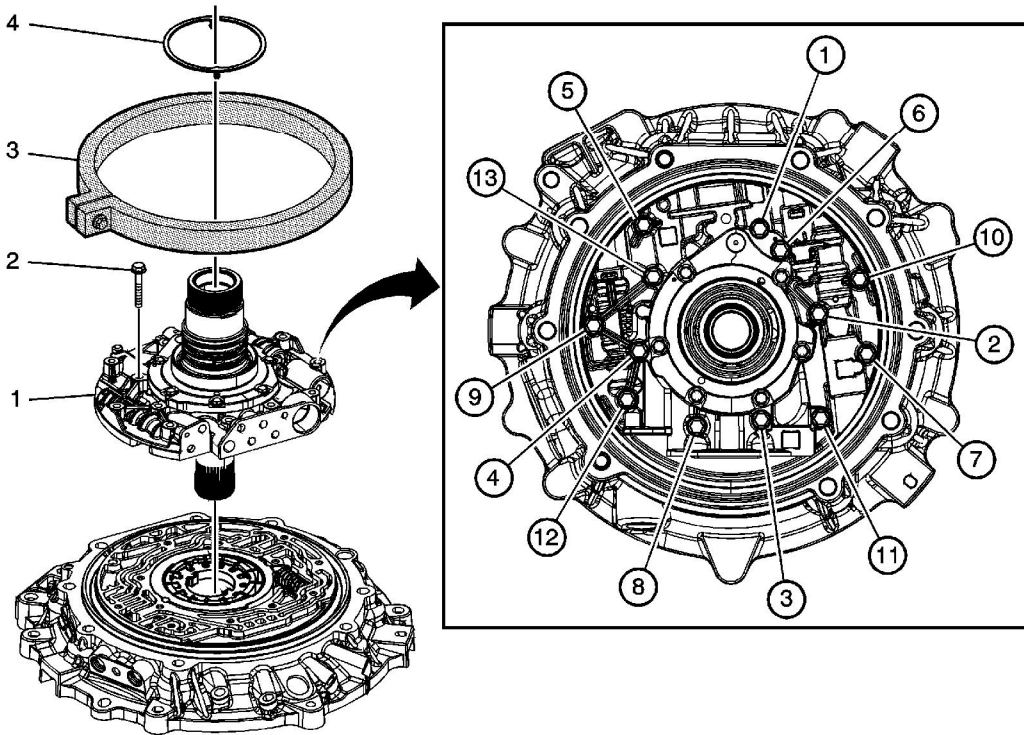


## Fluid Pump Cover Installation



Callout	Component Name
1	Fluid Pump Cover Assembly
2	Fluid Pump Cover Bolts M6 x 40 (Quantity: 13) <b>Tip</b> Hand tighten only.
3	<p>Alignment Tool and Bolt</p> <p><b>Caution:</b> Refer to <a href="#">Fastener Caution</a> in the Preface section.</p> <p><b>Procedure</b></p> <ol style="list-style-type: none"> <li>Center the <a href="#">J 46664</a> around the fluid pump cover assembly in the 9 o'clock position and tighten the alignment bolt.</li> <li>Tighten the fluid pump cover bolts in the sequence shown.</li> </ol> <p><b>Tighten</b> 11 N·m (97 lb in)</p> <p><b>Special Tool</b></p>

© 2013 General Motors Corporation. All rights reserved.

	<a href="#">J 46664</a> Pump Cover Alignment Tool
4	NEW 1-2-3-4 and 3-5 Reverse Clutch Housing Thrust Washer