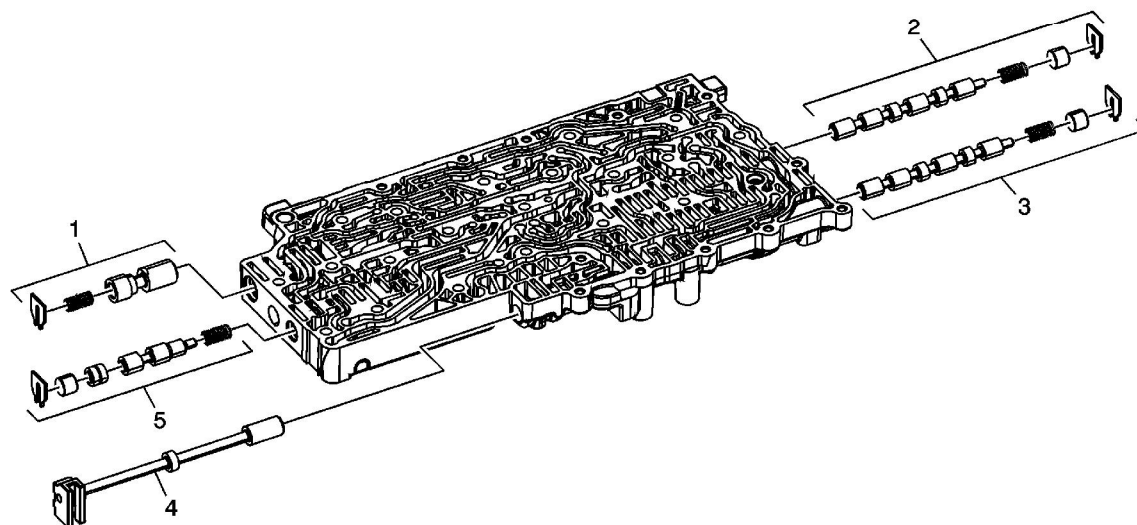


Control Valve Lower Body Assembly Cleaning and Inspection



Callout	Component Name
<p>Warning: Valve springs can be tightly compressed. Use care when removing retainers and plugs. Personal injury could result.</p> <p>Tip Clean and inspect all valve components and the valve body. The control valve lower body is replaceable only as an assembly.</p>	
1	Clutch Piston Dam Feed Regulator Valve Train
2	Clutch Select Solenoid Valve Train
3	Clutch Select Solenoid Valve Train
4	Manual Valve
5	TCC Regulator Apply Valve Train