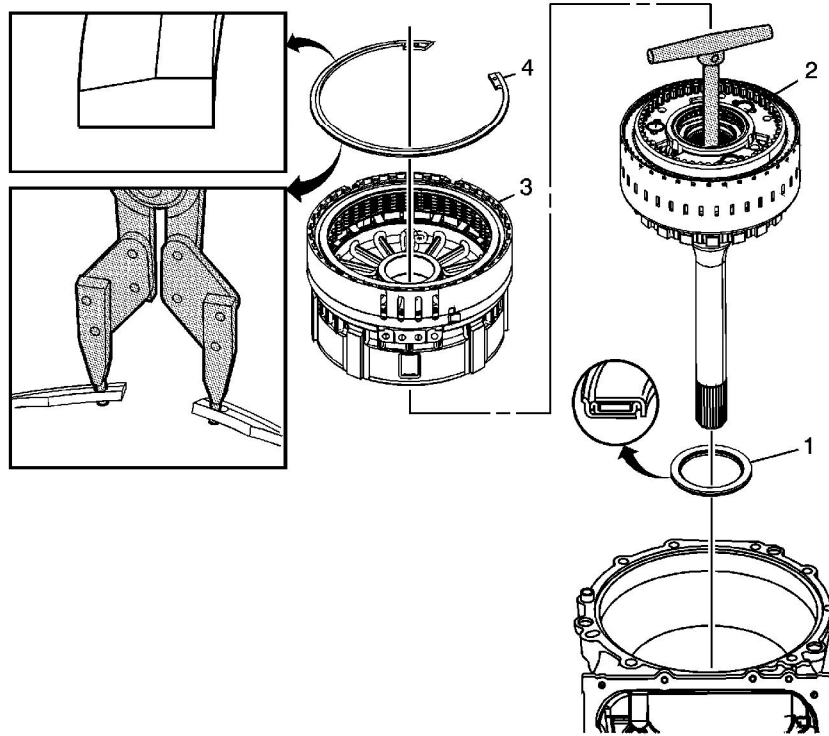


Center Support, Output Carrier and Output Shaft Installation



Callout	Component Name
1	Output Shaft Thrust Bearing Assembly
2	<p>Output Carrier Assembly and Output Shaft Assembly</p> <p>Caution: Apply automatic transmission fluid (ATF) to the inside diameter of the output shaft seal before installing the output shaft assembly into the case. Failure to lube the seal may cause the seal to roll during output shaft installation, which will result in transmission damage.</p> <p>Caution: Ensure the DT 47786 is completely threaded into the output shaft assembly. Due to the weight of the assembly, incomplete threading may cause the assembly to break free from the DT 47786, causing component damage.</p> <p>Special Tool</p> <p>DT 47786 Output Carrier/Shaft Lifting Tool</p> <p>For equivalent regional tools, refer to Special Tools.</p>
	Center Support Assembly

3	<p>Tip</p> <ul style="list-style-type: none">• When the center support assembly is properly installed, the fluid passages should align with the fluid passage seal bores in the case assembly.• It may be necessary to rotate the output shaft by hand in order to fully install the center support assembly.
4	<p>Center Support Retaining Ring</p> <p>Warning: Use care when removing or installing the retaining ring. Ensure the J 45126 and DT 47773 are installed properly onto the retaining ring or bodily injury may occur.</p> <p>Caution: Ensure the retaining ring is installed with the tapered side up, and in the 9 o'clock position from the pan side of the case. Failure to properly install the retaining ring will cause transmission damage.</p> <p>Special Tools</p> <ul style="list-style-type: none">• <i>DT 47773</i> Snap Ring Pliers Adapter Set• <i>J 45126</i> Snap Ring Pliers <p>For equivalent regional tools, refer to Special Tools.</p>