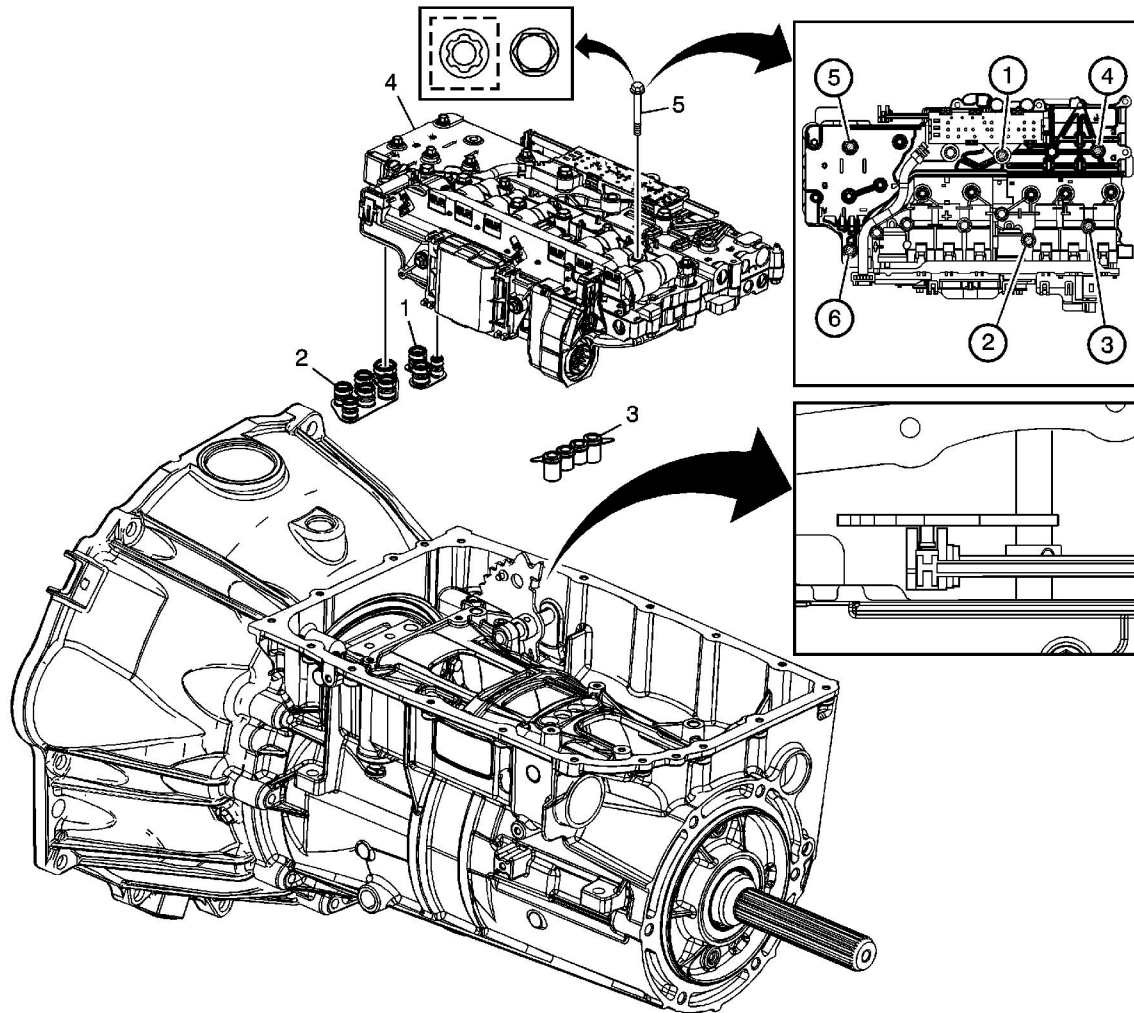


Control Valve Body Assembly Installation



Callout	Component Name
1	NEW Fluid Pump Seal Assembly
2	NEW Fluid Pump Seal Assembly
3	NEW Centre Support Fluid Passage Seal Assembly
4	Control Valve Body Assembly Tip Align the manual shift shaft position switch activator slide with the detent lever guide pin.
	Bolts M5 x 73 (Quantity: 6) Caution: Refer to Fastener Caution in the Preface section.

© 2013 General Motors Corporation. All rights reserved.

5

Tip

Tighten in the sequence shown.

Tighten

8 N·m (71 lb in)