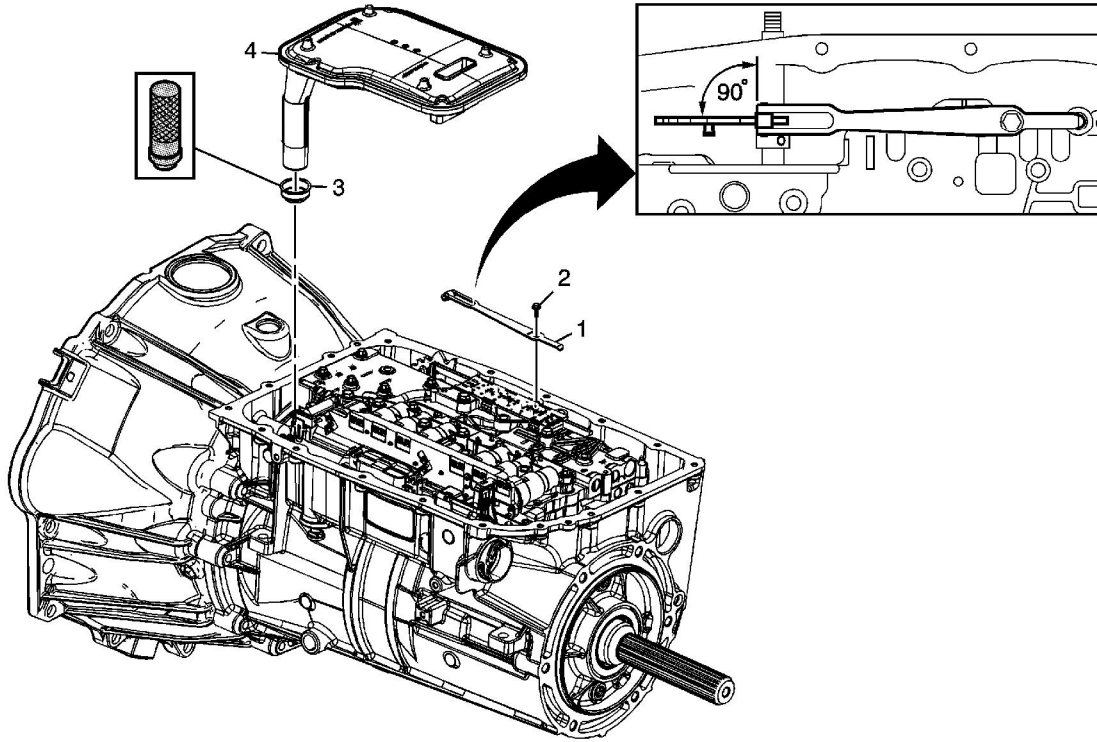


# Fluid Filter and Manual Shift Detent Assembly Installation



Callout	Component Name
1	Manual Shaft Detent Assembly  <b>Caution:</b> Ensure the manual shaft detent assembly roller is centered over the manual shaft detent lever assembly. Failure to center the roller may cause hard or no shift lever operation.
2	Bolt M6 x 14.5  <b>Caution:</b> Refer to <a href="#">Fastener Caution</a> in the Preface section.  <b>Tighten</b> 12 N·m (106 lb in).
3	NEW Fluid Filter Seal Assembly  <b>Special Tools</b> <ul style="list-style-type: none"> <li>• DT 47848 Seal Installer</li> <li>• J 42183 Driver Handle <a href="#">J 42183</a></li> </ul>

© 2013 General Motors Corporation. All rights reserved.

	For equivalent regional tools, refer to <a href="#">Special Tools</a> .
4	NEW Fluid Filter Assembly