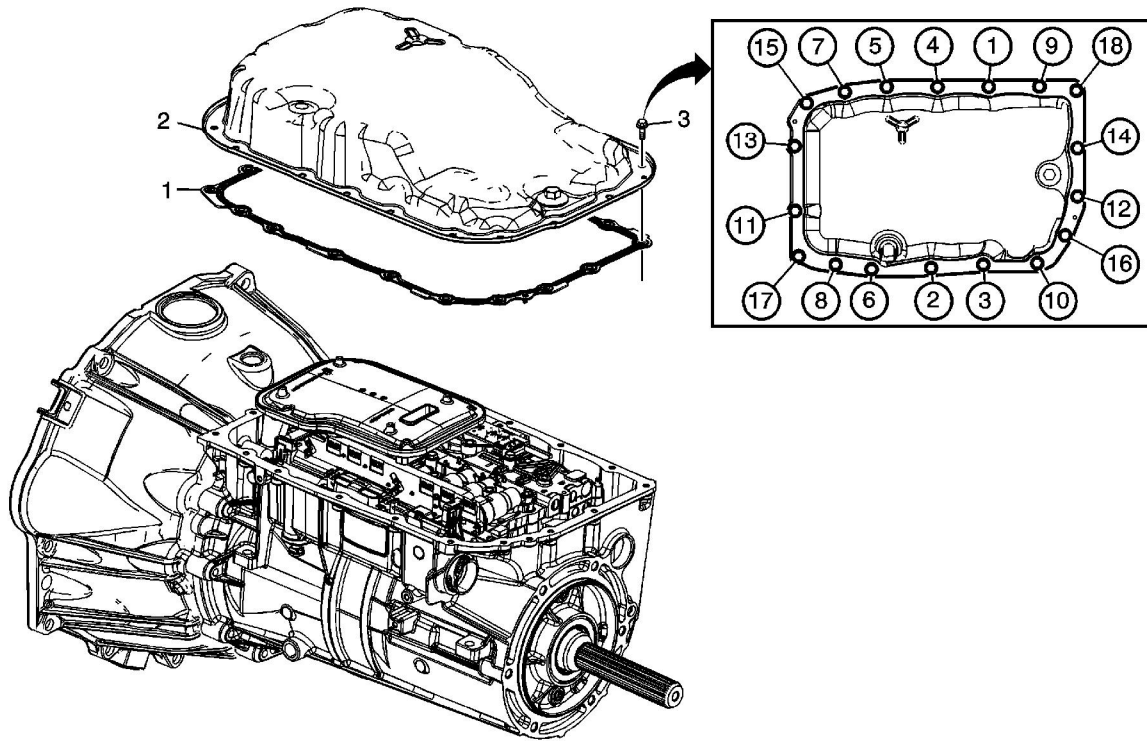


## Transmission Fluid Pan Installation



Callout	Component Name
1	Fluid Pan Gasket <b>Tip</b> The fluid pan gasket is reusable. Inspect the gasket to determine if it may be reused. If the gasket is stuck to the case or pan, it should be replaced.
2	Fluid Pan Assembly
3	Fluid Pan Bolts M6 x 20 (Qty: 18) <b>Caution:</b> Refer to <a href="#">Fastener Caution</a> in the Preface section. <b>Tip</b> Tighten in sequence shown. <b>Tighten</b> 9 N·m (80 lb in)