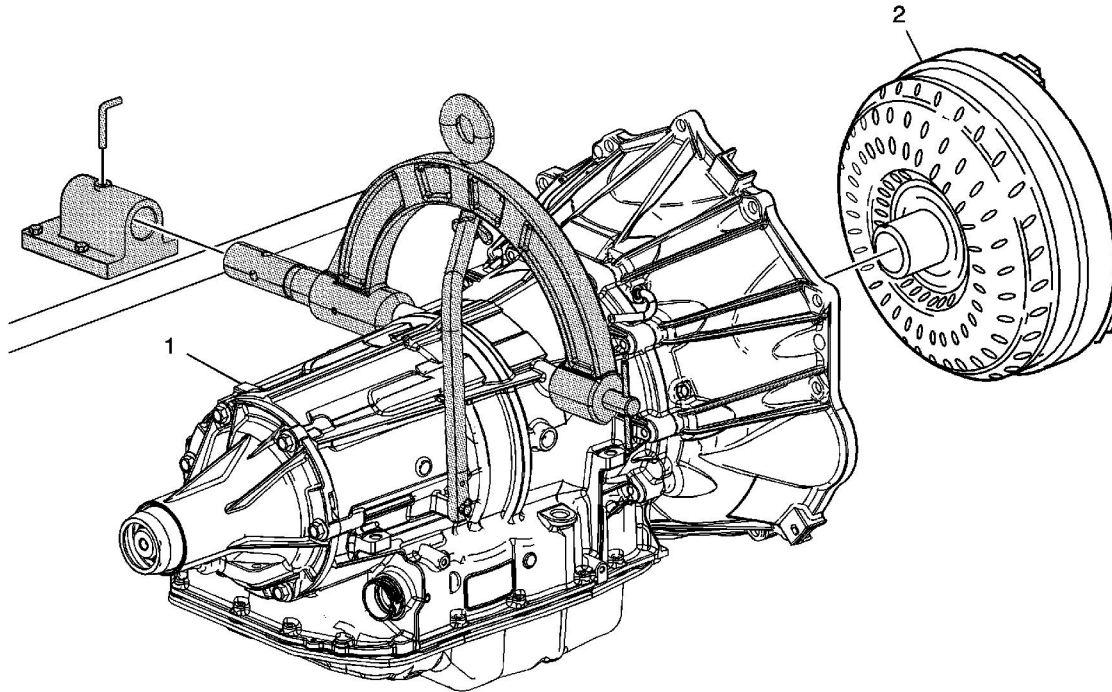


Torque Converter Installation and Holding Fixture Removal (6L80/6L90)



Callout	Procedure
Preliminary Procedure	
Rotate the transmission so that the fluid pan assembly is down.	
1	Transmission Case Assembly Special Tools <ul style="list-style-type: none"> • DT 47605 Holding Fixture Adapter • J 3289-20 Holding Fixture Base Assembly • J 8763-B Holding Fixture
2	Torque Converter Assembly