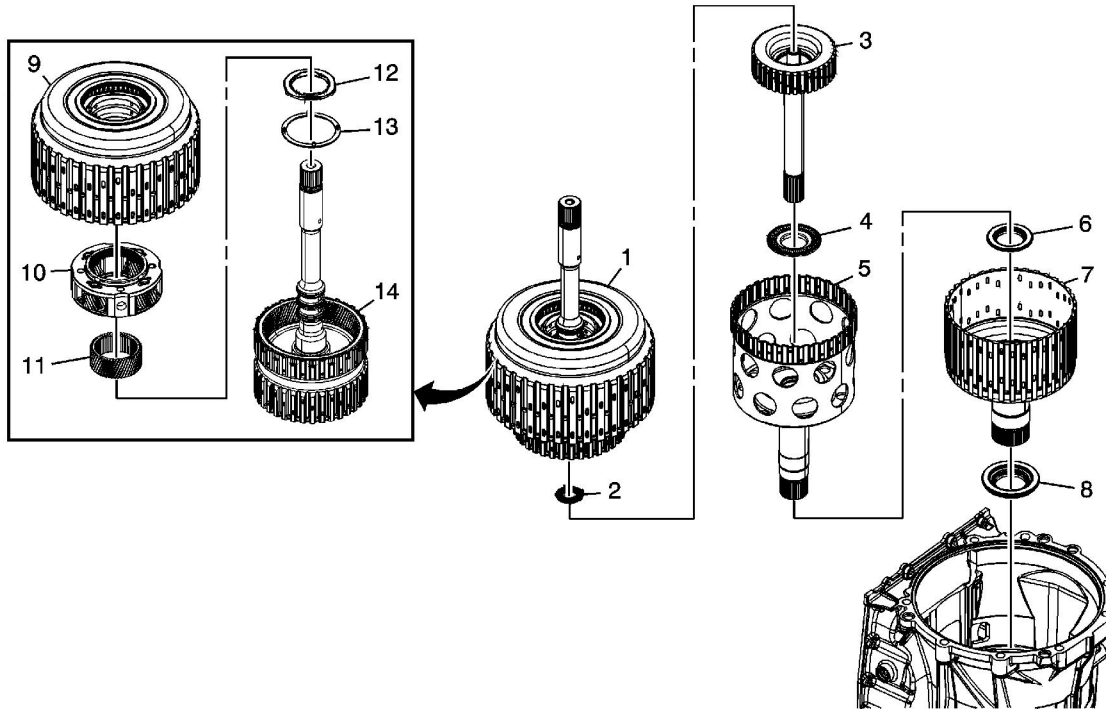


1-2-3-4 and 3-5 Reverse Clutch Assembly and 4-5-6 Clutch Assembly Removal



Callout	Component Name
1	1-2-3-4 and 3-5 Reverse Clutch Assembly and 4-5-6 (With Turbine Shaft) Clutch Assembly
2	Turbine Shaft Thrust Bearing Assembly
3	4-5-6 Clutch (With Output Carrier Shaft and Dampener) Hub Assembly
4	4-5-6 Clutch Hub Thrust Bearing Assembly
5	1-2-3-4 Clutch (With Output Carrier Inner Sun Gear Shaft) Hub Assembly
6	1-2-3-4 Clutch Hub Thrust Bearing Assembly
7	2-6 and 3-5 Reverse Clutch (With Output Carrier Outer Sun Gear Shaft) Hub Assembly
8	2-6 and 3-5 Reverse Clutch Hub Thrust Bearing Assembly
9	1-2-3-4 and 3-5 Reverse Clutch Assembly
10	Input Carrier Assembly
11	Input Sun Gear
12	Input Sun Gear Thrust Bearing
13	Input Sun Gear Thrust Washer

© 2013 General Motors Corporation. All rights reserved.

14

4-5-6 (With Turbine Shaft) Clutch Assembly