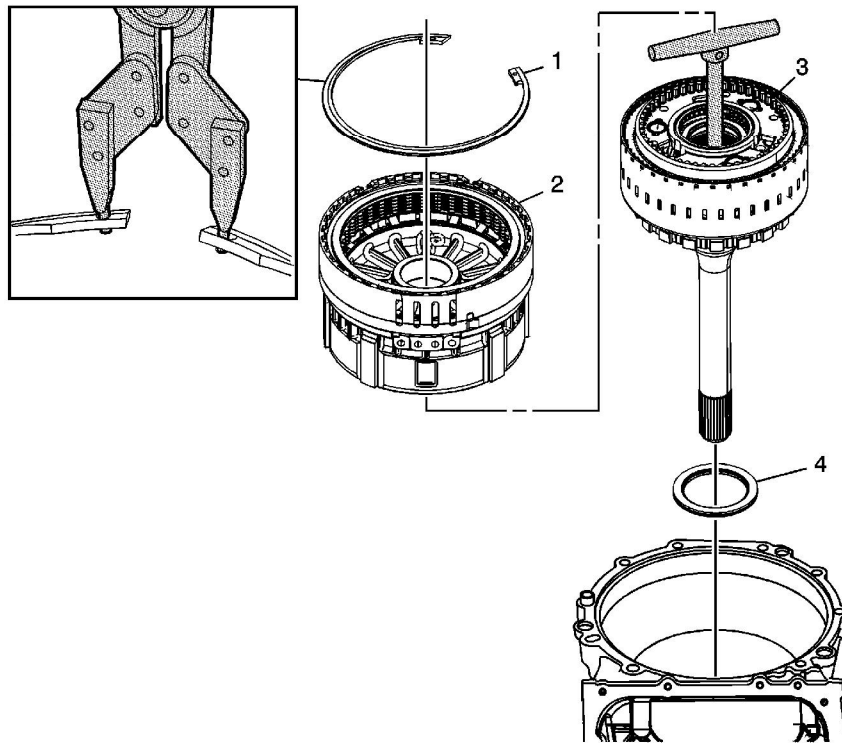


Center Support, Output Carrier and Output Shaft Removal



Callout	Component Name
1	<p>Center Support Retaining Ring</p> <p>Warning: Use care when removing or installing the retaining ring. Ensure the J 45126 and DT 47773 are installed properly onto the retaining ring or bodily injury may occur.</p> <p>Tip To release tension on the retaining ring, place the retaining ring flat on the floor and step on it, then remove the tool.</p> <p>Special Tools</p> <ul style="list-style-type: none"> • DT 47773 Snap Ring Pliers Adapter Set • J 45126 Snap Ring Pliers <p>For equivalent regional tools, refer to Special Tools.</p>
2	Center (with 2-6 Low and Reverse Clutch) Support Assembly

3	<p>Output Carrier Assembly and Output Shaft Assembly</p> <p>Caution: Ensure the DT 47786 is completely threaded into the output shaft assembly. Due to the weight of the assembly, incomplete threading may cause the assembly to break free from the DT 47786, causing component damage.</p> <p>Special Tool</p> <p><i>DT 47786</i> Output Carrier/Shaft Lifting Tool</p> <p>For equivalent regional tools, refer to Special Tools.</p>
4	Output Shaft Thrust Bearing Assembly