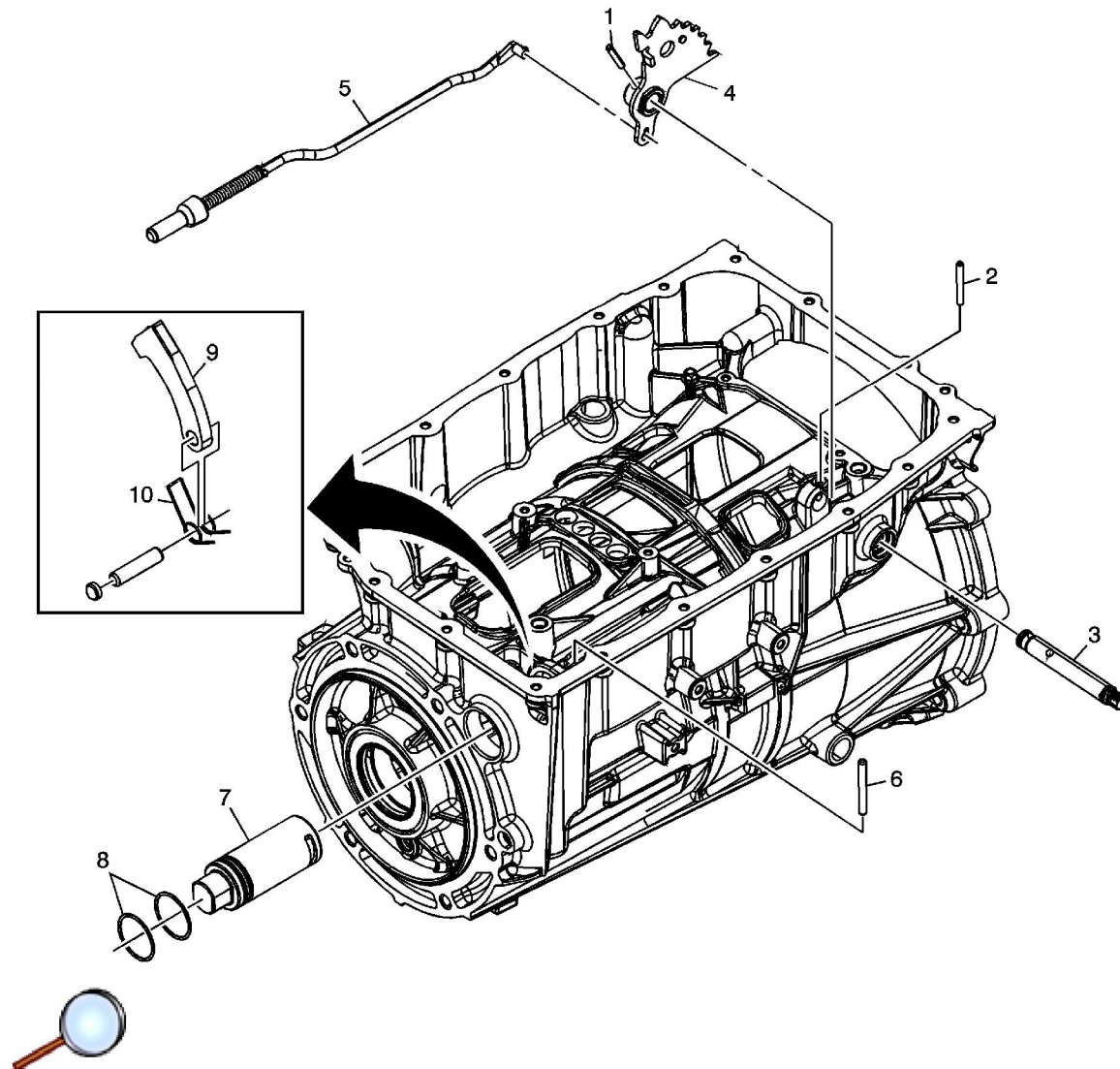


Manual Shift Shaft and Parking System Components Overhaul



Callout	Component Name
1	Manual Shaft Detent Lever Hub Pin Note: Discard the pin. Replace with NEW pin.
2	Manual Shift Shaft Pin Note: Discard the pin. Replace with NEW pin.
3	Manual Shift Shaft Note: Ensure the manual shift shaft seal is replaced before installing the shaft.
4	Manual Shaft Detent Lever Assembly

© 2013 General Motors Corporation. All rights reserved.

5	Park Pawl Actuator Assembly
6	<p>Park Pawl Actuator Guide Pin</p> <p>Note: Discard the pin. Replace with NEW pin.</p> <p>Tip Use a large pair of side cutters to "walk" the pin out.</p>
7	Park Pawl Actuator Guide
8	<p>Park Pawl Actuator Guide (O-ring) Seals</p> <p>Note: Discard seals. Replace with NEW seals.</p>
9	<p>Park Pawl</p> <p>Note: Inspect for damage only. Do not remove. The park pawl is not a serviceable component.</p>
10	<p>Park Pawl Spring</p> <p>Note: Inspect for damage only. Do not remove. The park pawl spring is not a serviceable component.</p>